

(Model: AB0005)

The Foldable Shower Stool by Mangar International is intended to be used in a bath or shower to provide a stable, seated support, where a user is unable to stand for long periods. It can be folded for storage when not in use.

Contents

- 4 x Lower Legs.
- 1 x Seat.
- 1 x User instructions.

Assembly & Height Adjustment

1. Insert the four lower legs (**A** fig. 1) into the seat frame.
2. Adjust the legs to the desired height by depressing the snap button (**B** fig. 2) and sliding the leg extension up or down the seat frame until the button snaps into the appropriate adjustment hole.

WARNING: Ensure that all four legs are adjusted to the same height and that each snap button is fully located.

3. To open the seat for use; separate the legs and position the frame tube into the 'clip' (**C** fig. 3). Check that the seat is secure and stable.
4. To fold the seat after use: lift the tube from the 'clip' and fold the seat to the frame.

Using the Folding Shower Stool

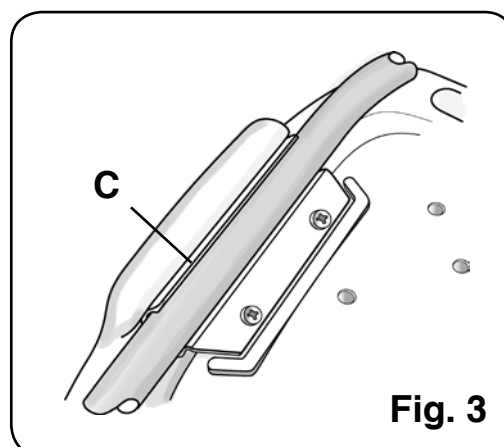
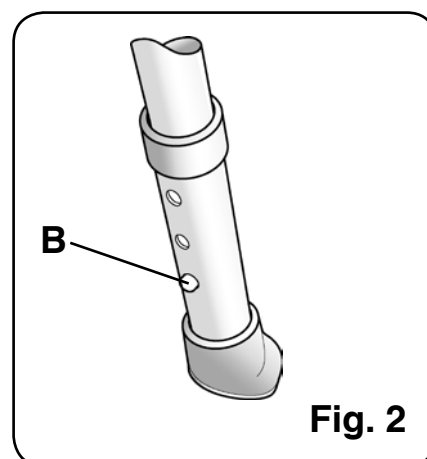
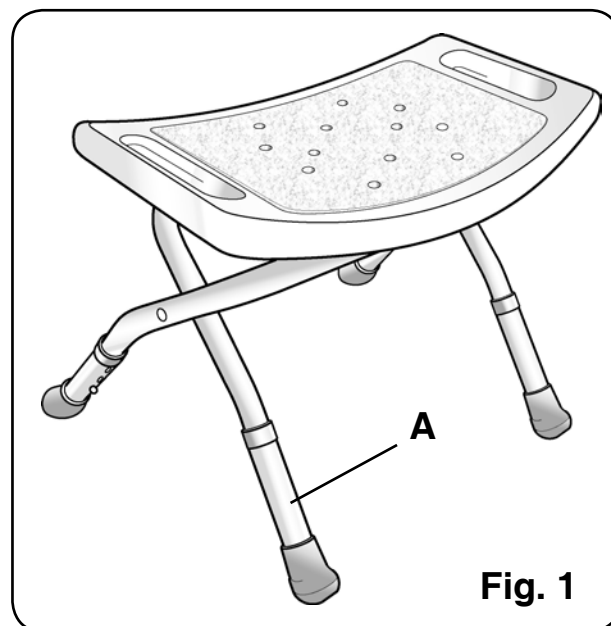
- Ensure that the seat is fully open and that the frame tube is securely located in the 'clip' (**C** fig. 3).
- Position the stool in the bath or shower ensuring that all four feet are making contact with the bath/shower tray.
- Sit centrally on the seat.

Safety Precautions

- DO NOT exceed the maximum user weight limit.
- DO NOT stand on the seat.
- DO NOT use if the rubber feet are damaged.
- Inspect at regular intervals for wear and damage.

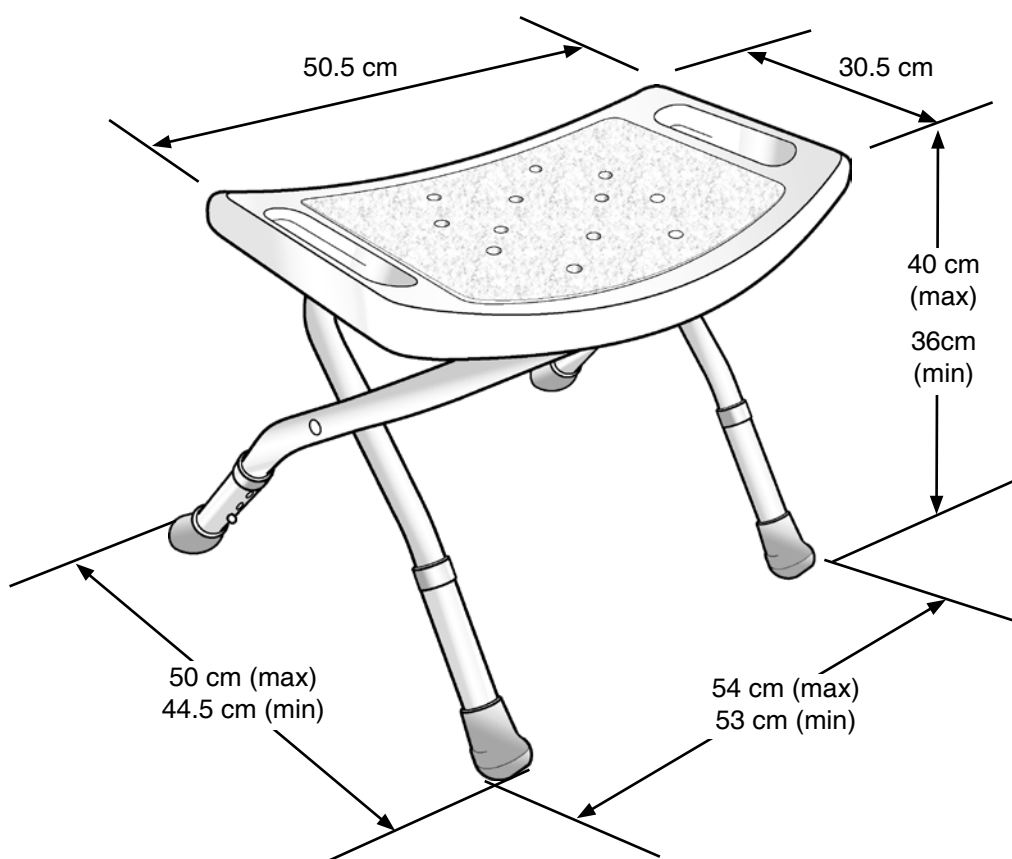
Cleaning

- All components can be cleaned with a proprietary liquid cleaner or disinfectant.



Specifications

Maximum User Weight:	136Kg (21st)
Seat Height (min/max):	36 cm/40 cm
Seat Size:	50.5 x 30.5 cm
Footprint (min/max):	44.5 x 53 cm / 50 x 54 cm



Warranty

Mangar International guarantees this product for a period of one year.

The guarantee is given against defects in the product. The guarantee is not valid in the case of fair wear and tear, wilful damage, common neglect, misuse or unauthorised alteration or repair by unqualified persons.

The following statements do not affect the consumer's statutory rights. This product is sold on the understanding that in the event of any defect of manufacture or material appearing within one year of the date of receipt of this product, the product will be repaired or replaced free of charge providing that:

- Reasonable evidence is provided (e.g. purchase invoice, delivery note) that the product was not purchased more than one year prior to the date of the claim.
- The defect is not attributable to accidental damage (either in transit or otherwise), misuse or unauthorised repair.

Mangar International reserves the right to alter product specifications and/or any of the information contained within this document without notice.



Mangar International

Presteigne, Powys, Wales, UK. LD8 2UF

tel: +44 (0)1544 267674

fax: +44 (0)1544 260287

customercare@mangar.co.uk

www.mangarinternational.co.uk

