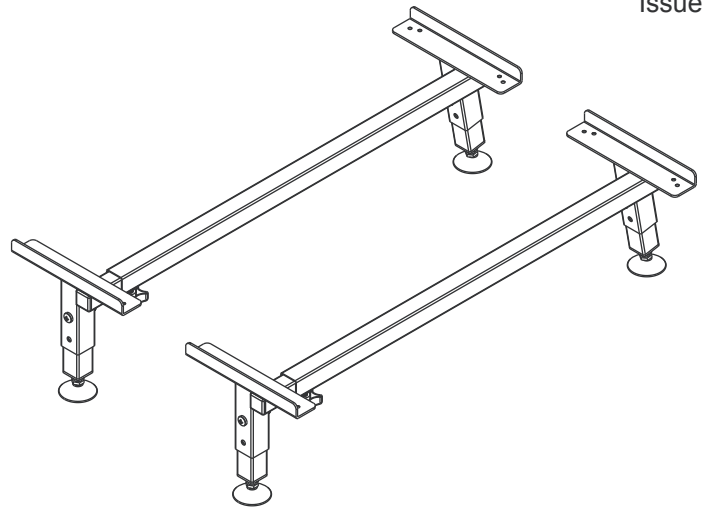
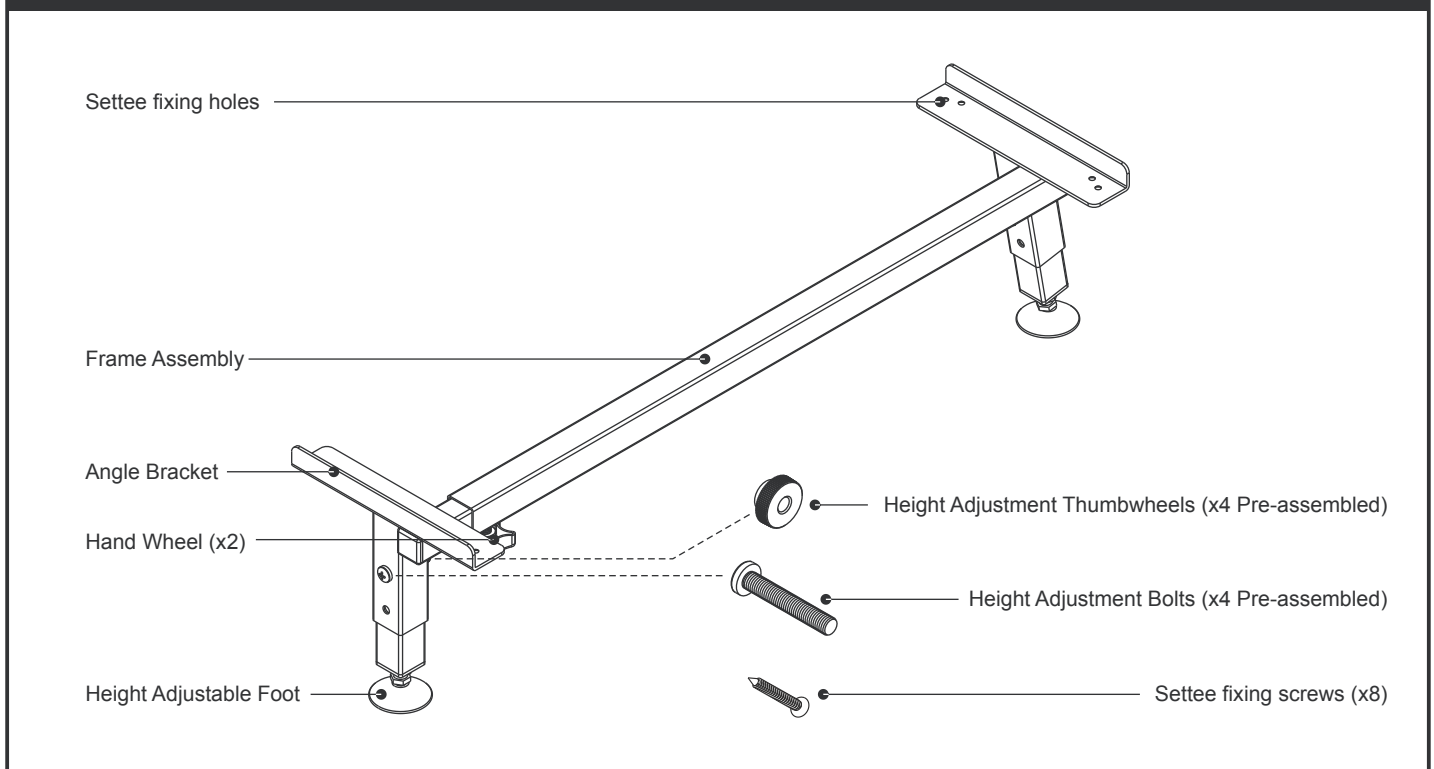


SET-32 Morris Adj. Height Settee Raiser

Fitting & User Instructions



IDENTIFICATION OF PARTS (QUANTITY PER PAIR)



Please read these instructions carefully before installation.

Max Weight Loading - 640Kgs/100 stone per pair. Each extra frame used allows an extra 320Kgs/50 stone of weight loading.

User precautions:

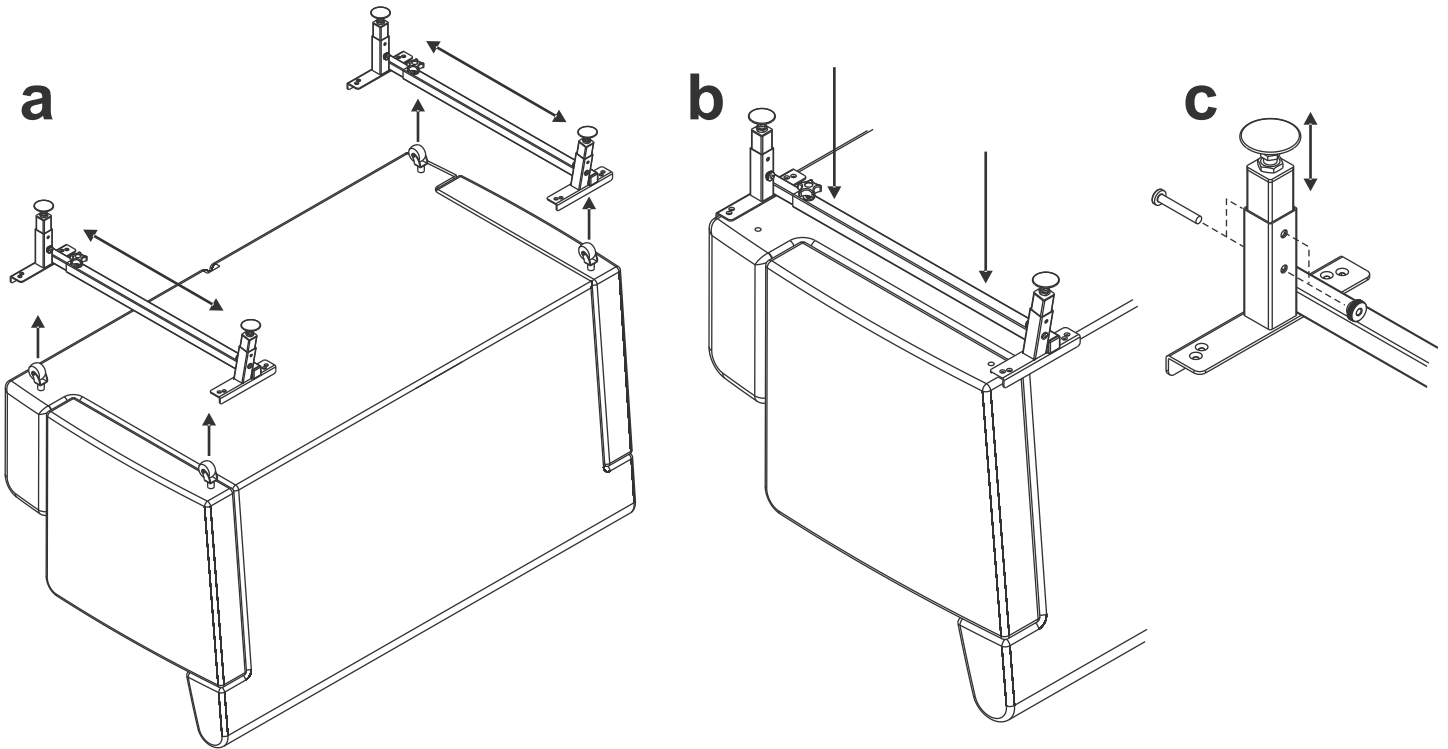
- This product is only to be installed for the purpose for which it is intended (for raising settees placed on a flat, stable and horizontal surface).
- Ensure that the raised furniture is stable before use.
- This raiser is for indoor use only.
- Check tightness of hand wheels and fixings periodically.
- Clean with damp cloth. Use non-abrasive detergent and dry thoroughly.
- For larger pieces of furniture you may require EXT-B2 Extender Bars to safely span the furniture.

1

Position the settee upside down. This is best achieved by slowly tipping it forward until it comes to rest with its underside facing upwards.

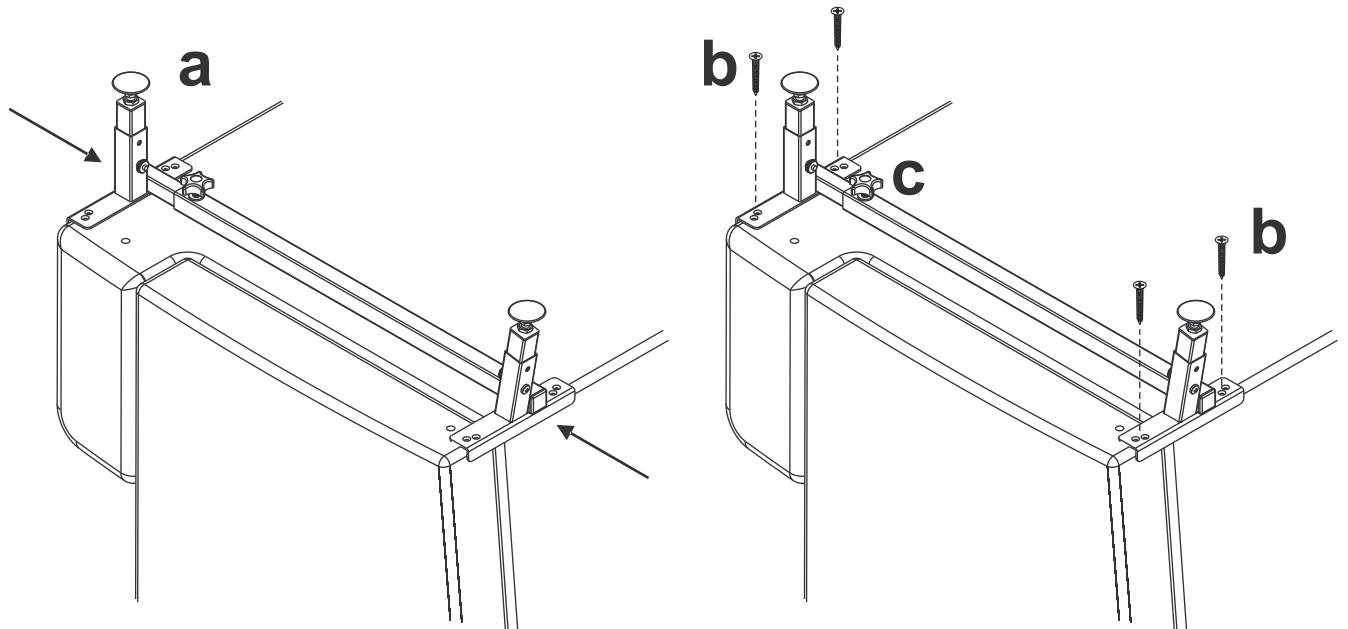
Loosen the hand wheels and adjust the raisers so that they will fit the settee from front to back. You may have to remove the castors or legs to achieve this although it is not necessary to remove the legs or castors if they don't hinder correct installation of the raiser (a). Position the raiser so the inclined leg is at the rear of the settee. Locate the raisers as close to each end of the settee as possible (b). Adjust raiser to required height by inserting screw and thumbwheel in preferred position (c). Fine height adjustment can be made using adjustable feet once raiser is fitted.

For settees that have 6 or more castors/legs or have extra support in the mid section, additional raisers will be necessary to support these areas of the settee.



2

Ensure the angle brackets of the raisers fit snugly against the frame of the settee (a). Make a small hole through the screw holes in the angle brackets and into the underside of the settee. Secure the raiser in position using the four screws provided (b). Tighten the handwheel of the raiser (c).



Carefully place settee upright by reversing the procedure in '1'. The raiser is now fitted and ready for use.

Notes:

1. Check the raised settee for stability before use.
2. When only a 5cm raise is required it is possible to remove the screw in feet altogether. It is advisable in this case to place castor cups (not supplied) under the raisers to protect the carpet from indentation.