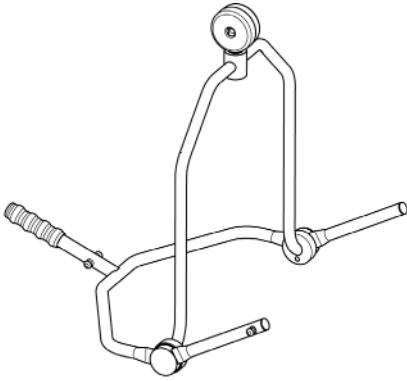


## User Instruction Manual

### Oxford® 4-Point Positioning Cradle

To avoid injury, read user manual prior to use. For alternative languages, contact your authorised service provider.



---

## Contents

|                                |   |
|--------------------------------|---|
| 1. Safety Warnings .....       | 3 |
| 2. Assembly Instructions ..... | 4 |
| 3. Maintenance .....           | 7 |
| 4. Warranty .....              | 8 |

## 1. Safety Warnings

**NOTE:** Assembly instructions pertain to the type of lifter boom that you will be attaching to the cradle. Follow the appropriate instructions based upon your lifter and model ordered.

### **⚠ WARNING**

- **The Oxford Cradle does not increase the maximum weight capacity of a lifter. For maximum weight capacity of lifter please refer to the owners manual that was shipped with the lifter, or for additional copies call Customer Service.**
- **For patient use, refer to the separate manual included with your lifter. If you did not receive a copy or require additional copies call Customer Service.**
- **Using other manufacturers' parts on Oxford products is unsafe and may result in serious injury to patient and/or attendant. Use only Oxford lifter parts on Oxford products. Oxford parts are not interchangeable with other manufacturers' products. Replace worn parts immediately.**
- **Torn, frayed, or broken slings could fail resulting in serious injury or death to patient. Only use slings in good condition. Destroy and discard old and unusable slings.**

### **Serious Incident Reporting**

In the event of a serious incident taking place during use of this product, affecting the patient and/or care-giver, it must be reported to the product manufacturer or authorised distributor. Should the incident take place within the European Union (EU), it must also be reported to the local competent authority within the member state.

### **KEY SYMBOLS:**

The following symbols are used on the charger, control unit and battery:



This product is a Medical Device in accordance with EU Medical Device Regulation 2017/745.



For indoor use.



ATTENTION, consult accompanying documents.



Refer to the user instructions before use.

## 2. Assembly Instructions

**Lifter Model:** OXF-PRESENCE  
OXF-STATURE

**Cradle Model Number:** OY0050  
OY0189

**Tools Required:** Flat blade screwdriver

### FOLLOW THESE INSTRUCTIONS EXACTLY:

Your Oxford Presence lift has the option of using both a 6-point spreader bar or 4-point positioning cradle.

The removal of either of these spreader bars is completed easily by the use of a quick-release pin. This is done quickly and easily, but you must read the following safety instructions to ensure the spreader bar is safely locked into position before use.

### Removal:

1. To detach pin, depress the spring barb (Fig. 1 and 2).

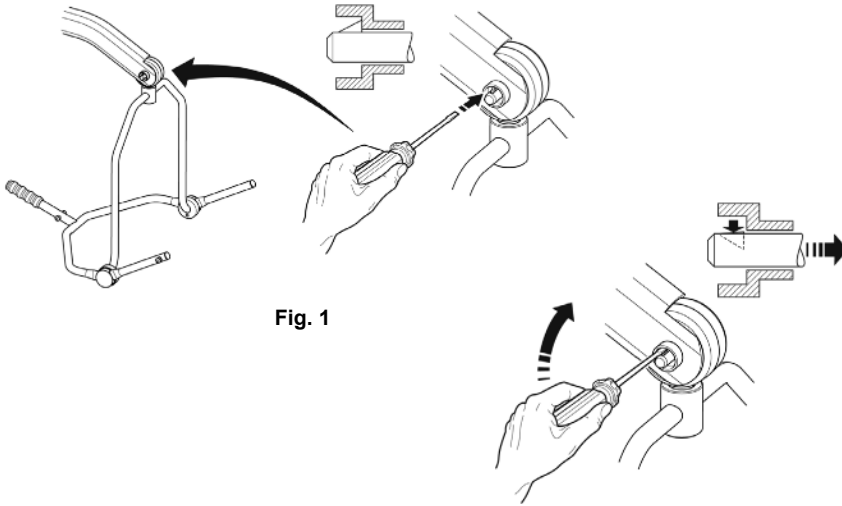


Fig. 1

Fig. 2

2. Pull the pin out (Fig. 3, item 1).
3. Support the spreader bar, and then pull the pin sleeve (Fig. 3, item 2) in the opposite direction, removing it from the boom. This will release the spreader bar completely (Fig 4).

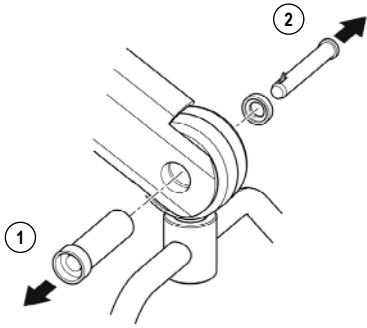


Fig. 3

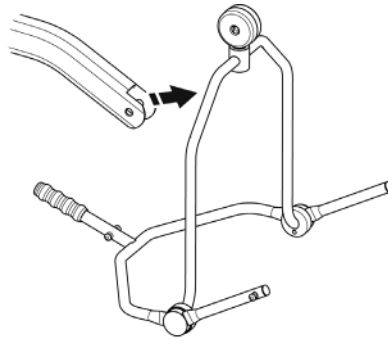


Fig. 4

### Connection:

1. To connect, raise the spreader bar up toward the boom slot (Fig. 5). Insert the pin sleeve through the plastic end cap and to support the cradle (Fig. 6, item 1).
2. Once aligned in the boom slot, reinsert the quick release pin fully into the sleeve until it locks into position (Fig. 6, item 2).

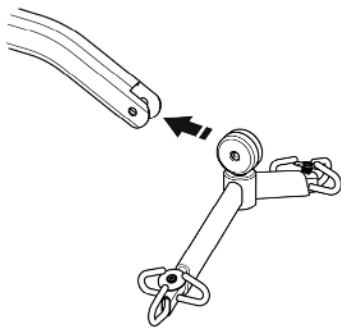


Fig. 5

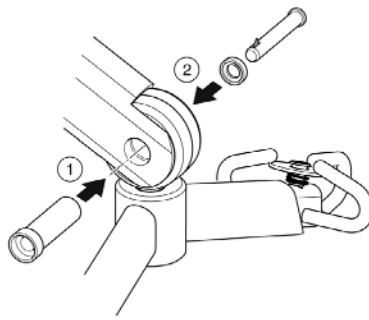


Fig. 6

3. **YOU MUST CHECK THAT THE PIN IS SECURELY FITTED.** To do this, press your finger into the barbed end. If the pin remains stationary, the lift is safe to use (Fig. 7).

Conduct final inspection to ensure that all parts are secure (Fig. 8).

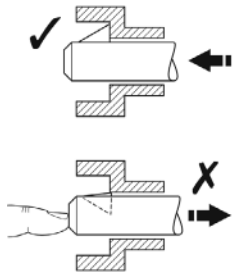


Fig. 7

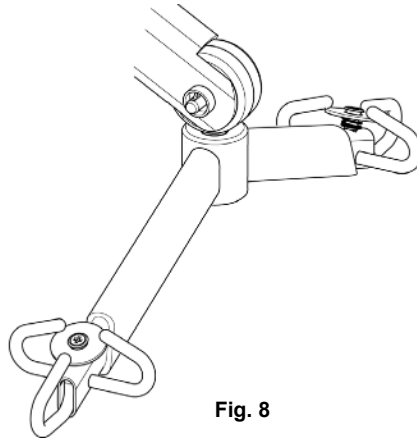


Fig. 8

**⚠ WARNING**

The pin sleeve must engage through bracket on both sides. If the sleeve is not fully engaged, misalignment and premature failure may result in injury/death to patient/attendant.

## 3. Maintenance

### Cleaning

Clean with ordinary soap and water and/or any hard surface disinfectant. Harsh chemical cleaners or abrasives should be avoided as these may damage the surface finish of the product. Avoid wetting any of the electrical parts. After cleaning, the unit should be thoroughly dried.

### End of Life Disposal

**Slings:** Slings and associated material accessories should be sorted as combustible waste in accordance with local or national regulations.

---

## 4. Warranty

Joerns Healthcare has an established network of authorised distributors and service agents who will be pleased to handle all of your purchasing, warranty, repair and maintenance enquiries. It is recommended that our products are commissioned by your authorised distributor or service agent.

The distributor or service agent operates the warranty programme, so it is important to keep a record of their name, address and telephone number so they can be contacted should any problem arise. If you are in any doubt as to where your lift was purchased, Joerns Healthcare can trace the supplier if you quote the serial number of the lift.

All warranty claims are subject to the correct use and maintenance in accordance with the user instruction manual provided with each lift. Damage caused by use in unsuitable environmental conditions or failure to maintain the product in accordance with user and service instructions is not covered. Your statutory rights remain unaffected.

**REMEMBER:** Contact your authorised distributor or service agent for purchases, repairs, servicing and certified maintenance.

Your distributor:









