

## User Instruction Manual

### Oxford® Low Profile Weigh Scale

To avoid injury, read user manual prior to use. For alternative languages, contact your authorised service provider.

## Manuel de l'utilisateur

### Pèse-personne compact Oxford®

Afin d'éviter tout accident, veuillez lire attentivement la notice avant utilisation. Pour obtenir ces informations dans une autre langue, veuillez contacter votre prestataire de service agréé.

## Benutzerhandbuch

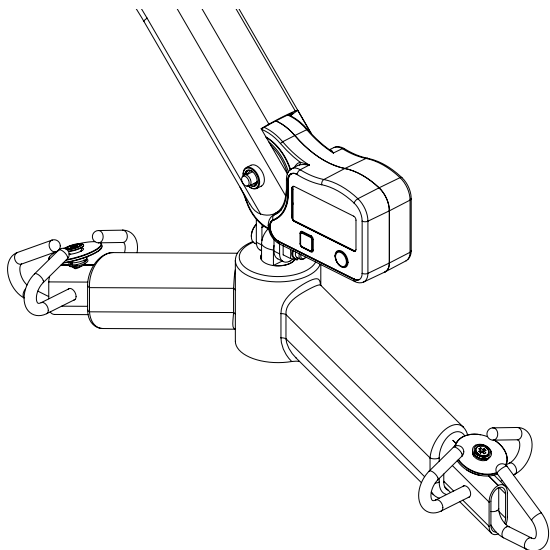
### Oxford® Flache Patientenwaage

Um Verletzungen zu vermeiden, lesen Sie bitte die Gebrauchsanweisung vor der ersten Benutzung. Für andere Sprachen wenden Sie sich an Ihren autorisierten Dienstanbieter.

## Manual de Instrucciones

### Balanza de Bajo Perfil Oxford®

Para evitar posibles daños, lea previamente el manual de usuario. Para otros idiomas, póngase en contacto con su proveedor de servicios autorizado.



## Contents

1. Introduction .....	3
2. Component Parts .....	4
3. Assembly .....	5
4. Operation .....	7
5. Operation Features .....	8
6. Cleaning .....	8
7. Technical Specifications .....	9
8. Battery Replacement .....	11
9. Maintenance Inspection and Test.....	12
10. Warranty .....	12
11. Logbook for Scale .....	13

# 1. Introduction

## About your scale:

The Oxford Digital Scale is a technologically advanced, microprocessor controlled, digital weighing device. It features two large, easy to read, Liquid Crystal Displays (LCD) that show the patient's weight from either side.

The controls are simple and straightforward to use. The Oxford Digital Scale is powered by an inexpensive, common 9 volt battery.

The Oxford Digital Scale can be used in conjunction with the Oxford Presence and Stature. The model numbers for the scale are:

OXF-UNISCALE100	4-point cradle with scale (calibrated for UK)
OXF-UNISCALE100EU	4-point cradle with scale (calibrated for non UK)
OXF-UNISCALE101	6-point spreader bar with scale (calibrated for UK)
OXF-UNISCALE101EU	6-point spreader bar with scale (calibrated for non UK)
OXF-UNISCALE102	4-point Adaptive power cradle with scale (calibrated for UK)
OXF-UNISCALE102EU	4-point Adaptive power cradle with scale (calibrated for non UK)

### The CE mark (Europe Only):



The Oxford Digital Scale carries the CE mark and complies with the following EC Directives:

- Medical Device Directive (MDR) 2017/745
- EMC Directive (2014/30/EU)
- NAWI Directive (2014/31/EU)
- RoHS Directive (2011/65/EU)

## Intended Use:

The Oxford Low Profile Weigh Scale is a RoHS compliant precision scale for use in portable patient weighing systems. The scale is designed to be connected between patient hoist mechanism and the patient sling apparatus. The Oxford Low Profile Weigh Scale is NOT intended to be used during patient transportation.

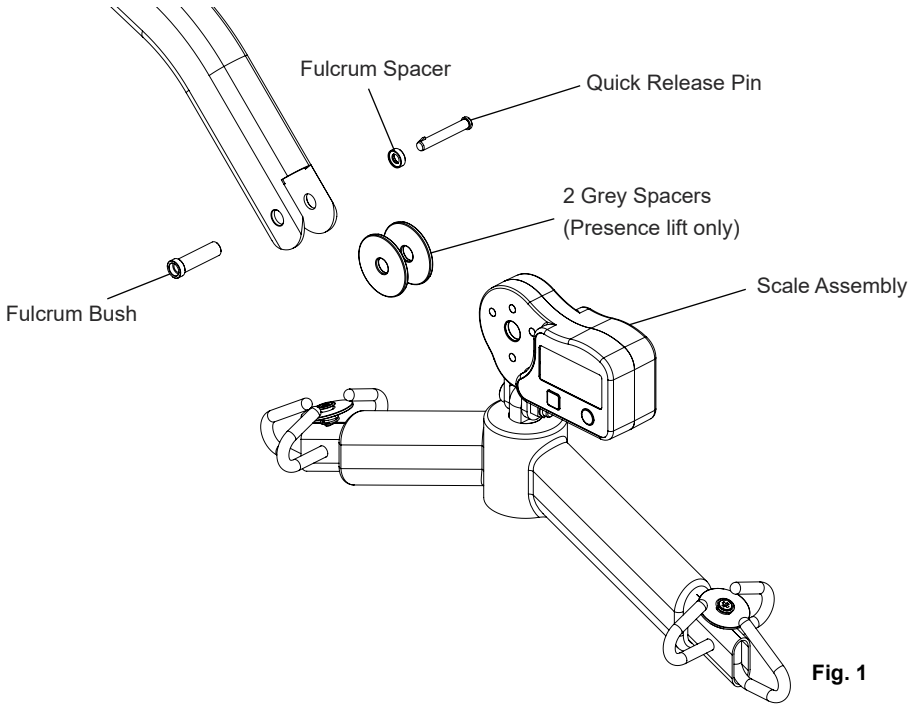
## Serious Incident Reporting

In the event of a serious incident taking place during use of this product, affecting the patient and/or care-giver, it must be reported to the product manufacturer or authorised distributor. Should the incident take place within the European Union (EU), it must also be reported to the local competent authority within the member state.

## 2. Component Parts: Digital Scale

The following components are included with your digital weigh scale for the Presence or Stature lift.

1. 1 x Digital Scale with cradle/spreader bar
2. 1 x User Manual
3. 2 x Grey Spacer Disks



### 3. Assembly

Your weigh scale comes fully integrated with the 6 point (loop) spreader bar, 4-point (non-powered) cradle or a 4-point adaptive power cradle (powered) cradle.

Attaching the scale/cradle assembly to the lift is quick and easy and will require a small blade screwdriver.

You need to first remove your existing spreader bar or cradle from the lift.

#### Removal of the spreader bar/cradle:

To attach your new Oxford digital scale you may first need to remove the spreader bar/cradle from the lift by removing the quick release pin that retains the 4-point cradle or 6-point spreader bar (Fig. 2). A small flat blade screw driver is the only tool required.

**Caution:** Prior to removing the quick release pin, the cradle needs to be supported by a stationary object such as a work bench or table. This will prevent the cradle from dropping suddenly preventing an injury or damage to the cradle.

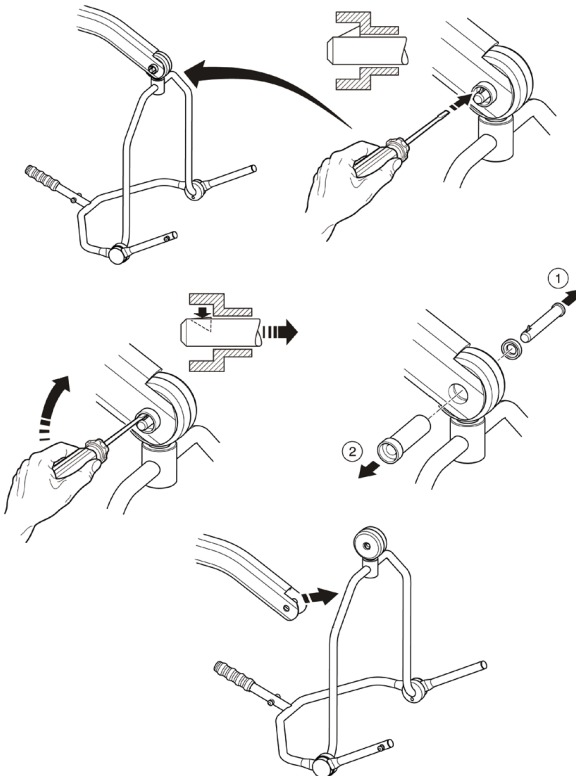


Fig. 2

**Connection of the Spreader Bar/Cradle:**

To connect, raise the spreader bar/cradle up towards the boom slot. Once aligned in the boom slot reinsert the quick release pin fully into the fulcrum bush until it locks into position. **YOU MUST CHECK THAT THE PIN IS SECURELY FITTED;** a noticeable “click” will sound when the connection has been made secure.

To do this, press your finger into the barbed end. If the pin remains stationary the lift is safe to use (Fig. 3).

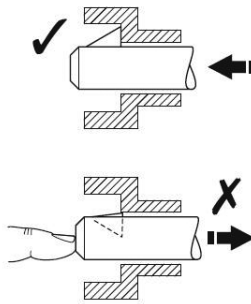


Fig. 3

**⚠ WARNING**

The pin and fulcrum bush must engage through the boom slot. If the fulcrum bush becomes misaligned this may result in serious injury/death.

## 4. Operation

The Oxford scale has been designed and certified to weigh up to 400kg in 0.2 increments. It has been certified to weigh in temperatures between 5°C/35°C.

To weigh a patient follow the instructions below:

1. To power up the scale press and release the ON/ZERO button. The display will show either 0.0 or a random measurement.
2. Attach the sling to the spreader bar/cradle that will be used to weigh the patient (this is necessary so the weight of the sling is not included with the patient's weight).
3. Press and hold the ON/ZERO button for approximately 2 seconds until "ZERO" is displayed. The scale will zero and is now ready to weigh a patient.

**NOTE:** The upper left corner of the display will have the ">0<" symbol. This indicates that the scale has been properly zeroed. No more than 40kg can be tared to zero.

4. Remove the sling from the spreader bar/cradle and place the sling around/under the patient for proper lifting.
5. Reattach the sling to the spreader bar/cradle; raise the patient so that they are suspended from the lift.

**NOTE:** The patient must not be touching anything such as a chair or bed since this will cause an error in weighing.

6. Once the digital display has stabilized, record the weight and then lower the patient onto the appropriate surface (i.e. bed, chair).

**NOTE:** The upper left corner of the display will have the ">□<" symbol. This indicates that the weight being measured is stable.

7. The scale has been programmed to turn off after 1 minute to conserve battery life. The zero (TARE) will be maintained. To restart the scale prior to lowering the patient, push the ON/ZERO pad momentarily (do not hold for >2 seconds or the scale will be zero under the weight of the patient). The display will show the start up screen and then show the patient's weight

**NOTE:** To restart the scale, be sure to push the ON/ZERO. If the scale is "turned on" and the pad is pushed again or pressed for more than 2 seconds, the scale may go to zero (0.0) and the patient's weight will be lost.

8. The RECALL feature is designed to retain in the memory the last stable weight for a patient

**NOTE:** Pressing the RECALL button will display the last viewed stable weight, indicated by the MEM symbol in the upper left corner of the display.

## 5. Operation Features

- All functions are accessible to the user without opening the case.
- Starting or zeroing the scale is done through a single touchpad located on the front of the case.
- Stable readings are achieved through digital averaging. Once the digital display has stabilised, the stable weight will be held. To make the scale active again, push the ON/ZERO pad momentarily. The held weight is stored in a non-volatile memory for later recall if required.
- Display turns off after 60 seconds of inactivity to conserve battery life.
- Recall of the last held weight is available by pressing the RECALL pad. This allows a reading of the last patient's weight, after the patient has been removed from the scale.
- Battery change is made easy with external access to the battery holder.

## 6. Cleaning

Clean with ordinary soap and water and/or any hard surface disinfectant. Harsh chemical cleaners or abrasives should be avoided as these may damage the surface finish of the product. Avoid wetting any of the electrical parts. After cleaning, the unit should be thoroughly dried.

### CAUTION

**Do not scratch the display window.**

**Do not immerse the Weigh Scale in liquid or spray liquid directly on the unit.**

**Do not use pressurised water or steam on the weigh scale.**

### End of Life Disposal

**Battery:** All batteries in the product and any accompanying accessories must be recycled separately. Batteries should be disposed of in accordance with local or national regulations.

**Slings:** Slings and associated material accessories should be sorted as combustible waste in accordance with local or national regulations.



## 7. Technical Specifications

- Electronics .....Microprocessor controlled.
- Power .....9 volt alkaline battery PP3.
- Battery Life .....Minimum 3000 cycles (60 seconds default)
- Display.....LCD (liquid crystal display) 70 x 30mm screen with 25mm high characters
- Weighing Units .....Kilograms (kgs).
- Load Cell .....Rated at 400 kgs.
- Case .....ABS

### Weights:

- Oxford Low Profile Weigh Scale .....0.9 kgs
- Oxford Low Profile Weigh Scale fitted to 6 Point Spreader Bar .....2.0 kgs
- Oxford Low Profile Weigh Scale fitted to 4 Point Cradle .....6.8 kgs
- Oxford Low Profile Weigh Scale fitted to the APC.....9.3 kgs

## WARNING

**Do not exceed the capacity of the lift. Use above this capacity is unsafe and may result in serious injury or death.**

**CAUTION:** The digital weigh scale is to be used in a clean, dry, temperature controlled indoor environment.

## KEY SYMBOLS:

The following symbols are used on the charger, control unit and battery:



This product is a Medical Device in accordance with EU Medical Device Regulation 2017/745.



Type B equipment, as per EN 60601-1.



Class 2 equipment.



For indoor use.

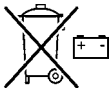


ATTENTION, consult accompanying documents.



Refer to the user instructions before use.

## WEEE Symbols:



The disposal of batteries should not be mixed with general household waste. Batteries should be disposed of in accordance with local or national regulations.



The disposal of electronics should not be mixed with general household waste

The crossed-out wheeled bin means that within the European Union the product must be taken to separate collection at the product end-of-life. This applies to your device but also to any enhancements marked with this symbol. Do not dispose of these products as unsorted municipal waste.

**WEEE Producers registration number WEE/GG0464R2**

## 8. Battery Replacement

The Oxford Electronic Digital Scale is powered by a 9 volt battery. A new battery will provide approximately 3000 readings before replacement is necessary. The low battery 'LOBAT' indicator is displayed when battery replacement is required.

### **To Replace Battery:**

1. Push black pad on the battery compartment (located on the underside of the weigh scale) in the direction of the arrow. Pull out to withdraw the battery compartment.
2. Battery holder will slide out.
3. Remove old battery and replace with a new one.
4. Push battery holder back into scale.

## 9. Maintenance, Inspection & Test

Joerns Healthcare recommends that a thorough inspection and test of all Oxford lifts and lifting accessories is carried out every six months. Joerns Healthcare recommends maintenance, inspection and certified testing, is only carried out by a competent service provider. Refer to the Lift user manual for a checklist of items to be inspected and tested.

### **Important Note (European Requirement Only):**

The Oxford Weigh scale is a Class III compliant weighing device and conforms to the NAWI Directive 2014/31/EU and has been certified by NMO, certification number UK3114.

Re-calibration is generally not required, but should be verified periodically to ensure accuracy. The recommendation for calibration check is at least once every 12 months, or as individual maintenance policy requires.

### **Servicing, Repairs, Inspections and Testing:**

Joerns Healthcare has an established network of reputable distributors and service technicians who will be pleased to handle all your purchasing, warranty, repair and maintenance inquiries.

## 10. Warranty

Joerns Healthcare has an established network of authorised distributors and service agents who will be pleased to handle all of your purchasing, warranty, repair and maintenance enquiries. It is recommended that our products are commissioned by your authorised distributor or service agent.

The distributor or service agent operates the warranty programme, so it is important to keep a record of their name, address and telephone number so they can be contacted should any problem arise. If you are in any doubt as to where your lift was purchased, Joerns Healthcare can trace the supplier if you quote the serial number of the lift.

All warranty claims are subject to the correct use and maintenance in accordance with the user instruction manual provided with each lift. Damage caused by use in unsuitable environmental conditions or failure to maintain the product in accordance with user and service instructions is not covered. Your statutory rights remain unaffected.

**REMEMBER:** Contact your authorised distributor or service agent for purchases, repairs, servicing and certified maintenance.

Your distributor:

## 11. Logbook for Scale

Non-automatic weighing instruments:

Verification interval (years)	1 Year
Name and address of customer (end user)	
Scale model	OXF-SCALE-LPU / OXF-SCALE-LPU-EU
Scale serial number	
Classification of the scale	III

**Purpose of the logbook:**

- The logbook retains all information relevant to the inspection, repair or modification of the instrument.
- The logbook can be provided by Joerns, the approved inspector or the approved repair engineer.
- The logbook must accompany the scale at the place of use.
- The logbook must always accompany the scale, even if the scale is mobile.

**Responsibility of equipment holder (end user):**

- The end user must make this logbook available at all times for the local regulatory authority, the approved inspector, or approved engineer.
- The responsibility for producing the logbook lies with the end user of the logbook.
- The end user is responsible for looking after the integrity of the logbook.
- A missing or damaged logbook will result in signature refusal of the periodic verification and/or refusal by the approved engineer to work on the scale.
- If the current logbook is replaced, the approved inspector or engineer must note this event in the new logbook
- It is the end user responsibility that the approved bodies for verification fill in the logbook; the end user should sign the logbook after the signature of the approved inspector or engineer.

<b>*Initial verification (check box)</b>	
Date verified (DD/MM/YY) <input type="checkbox"/>	
Verification body - EU versions only	
Organisation ID # Name/address of service provider	
Represented by	
Signature of service provider	

## Coordonnées du fabricant

### Sommaire

1. Introduction .....	15
2. Les composants .....	16
3. Montage .....	17
4. Fonctionnement .....	19
5. Caractéristiques opérationnelles.....	20
6. Nettoyage.....	20
7. Caractéristiques techniques.....	21
8. Changement de la batterie .....	23
9. Entretien, inspection et test .....	24
10. Garantie .....	24
11. Carnet de service du pèse-personne .....	25

# 1. Introduction

## À propos de votre pèse-personne:

Le pèse-personne digital Oxford est un dispositif de pesage digital à technologie avancée, commandé par microprocesseur. Il intègre deux grands écrans LCD qui affichent le poids des patients des deux côtés.

Les commandes sont simples et conviviales. Le pèse-personne digital Oxford est alimenté par une batterie ordinaire et économique de 9 volts.

Le pèse-personne digital Oxford peut être utilisé conjointement avec les appareils Oxford Presence et Stature. Les numéros de modèles des pèse-personnes sont:

OXF-UNISCALE100	Berceau à 4 points avec pèse-personne (calibré pour le Royaume-Uni)
OXF-UNISCALE100EU	Berceau à 4 points avec pèse-personne (calibré pour les pays autres que le Royaume-Uni)
OXF-UNISCALE101	Fléau à 6 points avec pèse-personne (calibré pour le Royaume-Uni)
OXF-UNISCALE101EU	Fléau à 6 points avec pèse-personne (calibré pour les pays autres que le Royaume-Uni)
OXF-UNISCALE102	Berceau motorisé adaptatif à 4 points avec pèse-personne (calibré pour le Royaume-Uni)
OXF-UNISCALE102EU	Berceau motorisé adaptatif à 4 points avec pèse-personne (calibré pour les pays autres que le Royaume-Uni)

**Marquage CE (Europe uniquement):** Le pèse-personne digital Oxford porte le marquage CE et est conforme aux directives européennes suivantes:

- Directive relative aux dispositifs médicaux (MDR) 2017/745
- Directive CEM (2014/30 / UE)
- Directive IPFNA (2014/31 / UE)
- Directive RoHS (2011/65 / EU)



## Usage prévu:

Le pèse-personne compact Oxford est un instrument de précision conforme à la Directive RoHS prévu pour une utilisation avec les systèmes portables de pesage des personnes. Le pèse-personne se place entre le mécanisme de levage du patient et le harnais. Le pèse-personne compact Oxford n'est PAS prévu pour être utilisé pendant le déplacement du patient.

## Signalement d'un incident grave

Tout incident survenant durant l'utilisation de ce produit et ayant des conséquences pour le patient et/ou le professionnel de santé doit être porté à la connaissance du fabricant du produit ou du distributeur agréé. Si l'incident se produit au sein de l'Union européenne (UE), il doit également être signalé aux autorités compétentes de l'État membre.

## 2. Les composants: Pèse-personne digital

Votre pèse-personne digital comprend les composants suivants pour le lève-personne Presence ou Stature.

1. 1 pèse-personne digital avec berceau et fléau
2. 1 manuel d'utilisation
3. 2 x entretoises grises

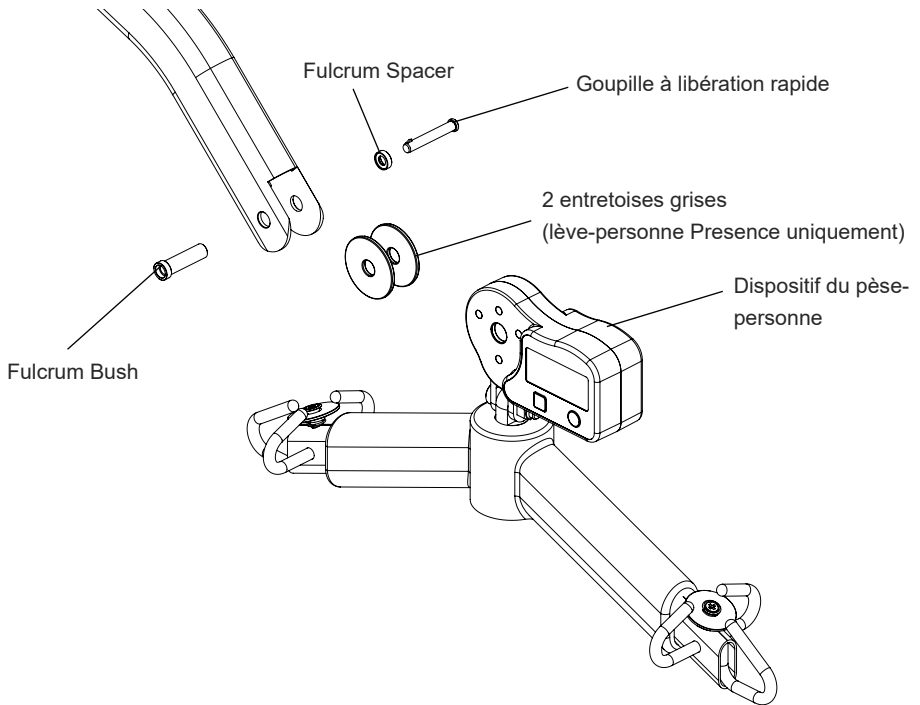


Fig. 1



### 3. Montage

Votre pèse-personne est doté d'un fléau à 6 points, d'un berceau à 4 points (manuel) ou d'un berceau motorisé adaptatif à 4 points.

Le montage du bloc pèse-personne/berceau sur le lève-personne est simple et rapide et requiert un petit tournevis plat.

Commencez par enlever le fléau ou le berceau du lève-personne.

#### Dépose du fléau/berceau:

Pour attacher votre nouveau pèse-personne digital Oxford, vous devrez éventuellement commencer par retirer le fléau ou le berceau du lève-personne. Pour ce faire, retirez la goupille à libération rapide qui maintient le berceau à 4 points ou le fléau à 6 points (Fig. 2). Il suffit d'un petit tournevis plat pour retirer la goupille.

**Attention:** Avant de retirer la goupille à libération rapide, faites reposer le berceau sur un support fixe, comme un établi ou une table, pour éviter que le berceau ne tombe brutalement et ne soit endommagé ou qu'il ne blesse les personnes présentes.

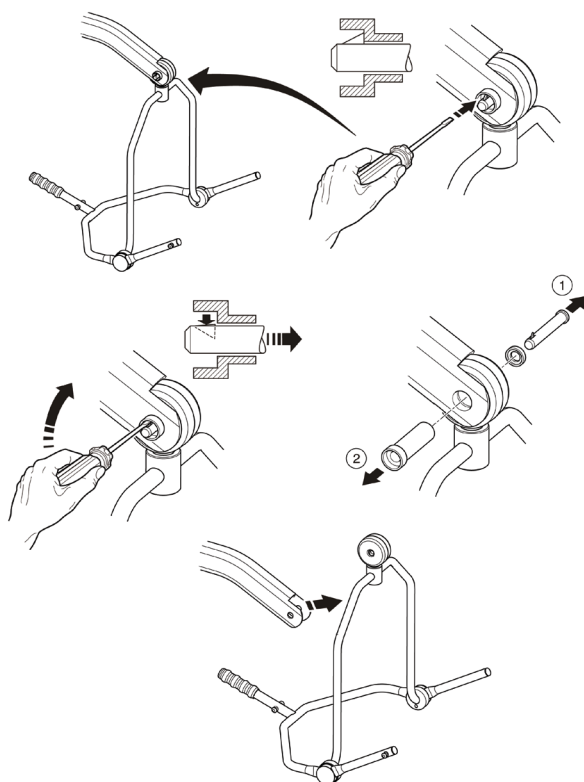


Fig. 2

### Montage du fléau/berceau:

Pour remonter le fléau/berceau, soulevez-le à hauteur du bras. Alignez les trous dans la fente du bras, puis enfoncez complètement la goupille à libération rapide dans fulcrum bush jusqu'à ce qu'elle soit bien enclenchée. **VÉRIFIEZ IMPÉRATIVEMENT QUE LA GOUPILLE EST CORRECTEMENT ENCLENCHÉE**; vous devez entendre un clic lorsque la goupille s'enclenche.

Pour le vérifier, appuyez avec votre doigt sur l'extrémité biseautée. Si la goupille reste en place, vous pouvez utiliser le lève-personne en toute sécurité (Fig. 3).

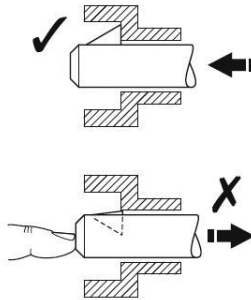


Fig. 3

## **⚠ AVERTISSEMENT**

La goupille et fulcrum bush doivent être acheminées à travers la fente du bras. Si fulcrum bush n'est pas correctement alignée, cela peut entraîner des blessures graves, voire mortelles.

## 4. Fonctionnement

Le pèse-personne Oxford est prévu et certifié pour peser des charges maximales de 400 kg par incréments de 0,2. Sa température de fonctionnement est comprise entre 5 °C et 35 °C.

Pour peser un patient, suivez la procédure indiquée ci-dessous:

1. Pour mettre le pèse-personne sous tension, appuyez, puis relâchez le bouton ON/ZERO. L'écran affiche la valeur 0.0 ou une mesure aléatoire.
2. Attachez le harnais au fléau/berceau qui servira à peser le patient (ceci est important pour que le poids du harnais ne soit pas compris dans le poids du patient).
3. Maintenez enfoncé le bouton ON/ZERO pendant près de 2 secondes jusqu'à ce que « ZERO » soit affiché. Le pèse-personne est réinitialisé. Vous pouvez maintenant peser le patient.  
**REMARQUE:** Le symbole «> 0 <» apparaît dans le coin supérieur gauche de l'écran. Pour être mise à zéro, la tare ne peut dépasser 40 kg.
4. Détachez le harnais du fléau/berceau et placez-le autour/sous le patient pour lever le patient dans la manière correcte.
5. Rattachez le harnais au fléau/berceau; levez le patient de sorte qu'il soit en suspension.  
**REMARQUE:** Le patient ne doit rien toucher (par ex. un fauteuil roulant ou un lit) car le poids affiché serait alors erroné.
6. Une fois que la valeur affichée est stable, consignez le poids, puis abaissez le patient pour qu'il regagne sa place (par ex. son lit ou son fauteuil).  
**REMARQUE:** Remarque: le symbole ">□<" apparaît dans le coin supérieur gauche de l'écran. Cela indique que le poids qui vient d'être mesuré est stable.
7. Le pèse-personne est programmé pour s'éteindre automatiquement au bout d'une minute afin de préserver la durée de vie de la batterie. La valeur de la tare (TARE) sera conservée à zéro. Pour redémarrer le pèse-personne avant d'abaisser le patient, appuyez sur le bouton ON/ZERO (ne maintenez pas le bouton enfoncé plus de 2 secondes car cela aurait pour effet de remettre la tare à zéro avec le poids du patient). L'écran de démarrage apparaît dans un premier temps, puis le poids du patient s'affiche.  
**REMARQUE:** Pour redémarrer le pèse-personne, soyez sûr d'appuyer sur le bouton ON/ZERO. Si, lors de l'allumage du pèse-personne, vous appuyez à nouveau sur le bouton ou le maintenez enfoncé pendant plus de 2 secondes, le pèse-personne peut se réinitialiser à zéro (0.0) et le poids du patient sera perdu.
8. La fonction RECALL (RAPPEL) permet de garder en mémoire le dernier poids stable d'un patient.  
**REMARQUE:** Pour afficher le dernier poids stable mémorisé, appuyez sur le bouton Recall à tout moment. Par exemple, si vous appuyez sur le bouton Recall alors qu'un patient est sur le point d'être pesé, le dernier poids mémorisé s'affiche.

## 5. Caractéristiques opérationnelles

- Toutes les fonctions sont accessibles à l'utilisateur sans qu'il ait à ouvrir le boîtier.
- Le démarrage ou la réinitialisation du pèse-personne se fait via un pavé tactile situé à l'avant du boîtier.
- Les mesures stables sont obtenues par le calcul d'une moyenne numérique. Une fois que l'affichage numérique s'est stabilisé, le poids stable sera maintenu. Pour réactiver la balance, appuyez brièvement sur la touche ON / ZERO. Le poids retenu est conservé dans une mémoire non volatile pour éventuellement être consulté ultérieurement.
- L'écran s'éteint automatiquement au bout de 60 secondes d'inactivité afin de préserver la durée de vie de la batterie.
- Le rappel du dernier poids maintenu est disponible en appuyant sur la touche RECALL. Cette fonction permet d'afficher le poids du dernier patient une fois que le patient est descendu du pèse-personne.
- Le changement de batterie est simple et rapide grâce à l'accès externe au compartiment à batterie.

## 6. Nettoyage

Nettoyez au savon ordinaire et à l'eau et /ou avec un désinfectant pour surfaces dures. Les produits de nettoyage chimiques corrosifs ou les abrasifs doivent être évités, car ils peuvent endommager le fini du produit. Évitez de mouiller les pièces électriques. Après le nettoyage, l'appareil doit être soigneusement séché.

### AVERTISSEMENT

**Ne pas rayer la fenêtre d'affichage.**

**Ne pas immerger le pèse-personne dans du liquide et ne pas vaporiser de liquide directement sur l'unité.**

**Ne pas exposer le pèse-personne à de la vapeur ou de l'eau sous pression.**

### Mise au rebut en fin de vie

**Batterie** : Les batteries présentes dans le produit et tout accessoire connexe doivent être recyclés séparément. Les batteries doivent être éliminées conformément aux réglementations locales et nationales en vigueur.

**Sangles** : Les sangles et accessoires connexes doivent être éliminés avec les déchets combustibles conformément aux réglementations locales et nationales en vigueur.

## 7. Spécifications techniques

- Composants électroniques ..... Commandés par microprocesseur.
- Alimentation ..... Batterie PP3 alcaline 9 volts.
- Durée de vie de la batterie ..... Minimum 3000 cycles (60 secondes par défaut).
- Affichage ..... Écran LCD de 70 x 30 mm avec caractères de 25 mm de hauteur
- Unités de poids ..... Kilogrammes (kg).
- Capteur de charge ..... Jusqu'à 400 kg.
- Boîtier ..... Plastique ABS

### Poids:

- Pèse-personne compact Oxford ..... 0,9 kg
- Pèse-personne compact Oxford avec fléau à 6 points ..... 2,0 kg
- Pèse-personne compact Oxford avec berceau à 4 points ..... 6,8 kg
- Pèse-personne compact Oxford avec berceau motorisé adaptatif ..... 9,3 kg

## AVERTISSEMENT

**Ne pas dépasser la capacité du lève-personne. Toute utilisation au-delà de la capacité maximale de l'unité présente un risque et peut entraîner des blessures graves, voire mortelles.**

**Attention:** Le pèse-personne digital est prévu pour une utilisation dans un environnement propre, sec, intérieur et à température contrôlée.

## PRINCIPAUX SYMBOLES:

Vous trouverez les symboles suivants sur le chargeur, l'unité de commande et la batterie :



Ce produit est un dispositif médical conforme à la directive relative aux dispositifs médicaux 2017/745.



Équipement de type B, conformément à EN 60601-1



Équipement de Classe 2



Utilisation à l'intérieur

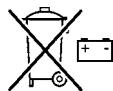


ATTENTION, consultez les documents fournis.



Se référer aux instructions d'utilisation avant utilisation.

## Symboles DEEE:



Ne pas jeter la batterie avec les déchets ménagers. Les batteries doivent être éliminées conformément aux réglementations locales et nationales en vigueur.



Les composants électroniques ne doivent pas être éliminés avec les déchets domestiques.

Le symbole de la poubelle barrée signifie qu'au sein de l'Union européenne, le produit concerné doit être mis au rebut séparément lorsqu'il arrive en fin de vie utile. Cette exigence concerne votre appareil, ainsi que tout accessoire portant ce symbole. Éliminez ces produits dans les centres de tri spécialisés.

**Numéro d'enregistrement de producteur de DEEE: WEE/GG0464R2**

## 8. Changement de la batterie

Le pèse-personne digital Oxford est alimenté par une batterie de 9 volts. Une batterie neuve a une durée de vie d'environ 3000 mesures. L'indicateur «LOBAT» de batterie faible s'affiche lorsque le remplacement de la batterie est requis.

### **Pour remplacer la batterie:**

1. Enfoncez l'onglet noir sur le cache du compartiment de la batterie (situé sous le pèse-personne) dans la direction de la flèche. Soulevez et retirez le cache.
2. Le porte-batterie glisse hors de son logement.
3. Retirez l'ancienne batterie et remplacez-la par une batterie neuve.
4. Insérez à nouveau le porte-batterie dans le pèse-personne.

## 9. Entretien, inspection et test

Joerns Healthcare recommande d'effectuer une inspection approfondie et de tester tous les lève-personnes Oxford et les accessoires de levage tous les six mois. Joerns Healthcare recommande de faire appel à un prestataire de service compétent pour l'entretien, l'inspection et le test certifié. Reportez-vous au manuel d'utilisation du lève-personne pour obtenir la liste des éléments à inspecter et à tester.

### **Remarque importante (Exigence européenne uniquement):**

Le pèse-personne Oxford est un instrument de pesage de Classe III conforme à la directive relative aux instruments de pesage à fonctionnement non automatique (2014/31/EU) et a été certifié par le NMO, sous le numéro UK3114.

Le réétalonnage n'est généralement pas nécessaire, mais doit être vérifié périodiquement pour assurer sa précision. La recommandation pour la vérification de l'étalonnage est au moins une fois tous les 12 mois ou selon les directives de maintenance individuelles.

### **Révisions, réparations, inspections et tests:**

Joerns Healthcare a créé un réseau efficace de distributeurs et de techniciens expérimentés, qui seront ravis de vous renseigner sur l'achat, la garantie, les réparations et l'entretien de nos produits.

## 10. Garantie

Joerns Healthcare possède un réseau d'agents de service et de distributeurs agréés qui se feront un plaisir de répondre à vos questions relatives à l'achat, la garantie, la réparation et l'entretien de votre matériel. Nous vous recommandons de confier la mise en service de nos produits à votre agent de service ou distributeur agréé.

Le programme de garantie est assuré par votre distributeur ou l'agent de service, il est donc important de conserver soigneusement ses coordonnées (nom, adresse et numéro de téléphone) afin de pouvoir le contacter en cas de problème. An cas de doute sur le lieu d'achat de votre lève-personne, Joerns Healthcare est en mesure d'identifier votre fournisseur à partir du numéro de série du lève-personne.

Toutes les réclamations au titre de la garantie sont conditionnées à l'usage et à l'entretien corrects et conformes au manuel d'utilisation livré avec chaque appareil. Tout endommagement résultant d'une utilisation dans des conditions inadaptées ou du non-respect des consignes d'entretien et d'utilisation n'est pas couvert par la garantie. La garantie ne porte pas atteinte à vos droits légaux.

**N'OUBLIEZ PAS:** Contactez votre agent de service ou distributeur agréé pour vos achats, réparations, entretiens et maintenances certifiées.



## 11. Carnet de service du pèse-personne

Instruments de pesage à fonctionnement non-automatique:

Intervalle de vérification (années)	1 an
Nom et adresse du client (utilisateur final)	
Modèle du pèse-personne	OXF-SCALE-LPU / OXF-SCALE-LPU-EU
Numéro de série du pèse-personne	
Classification du pèse-personne	III

Utilité du carnet de service:

- Le carnet de service contient toutes les informations pertinentes relatives aux inspections, réparations ou modifications de l'instrument.
- Le carnet de service peut être fourni par Joerns, l'inspecteur agréé ou le technicien agréé.
- Le carnet de service doit être conservé avec le pèse-personne sur le lieu d'utilisation.
- Le carnet de service doit être conservé en permanence avec le pèse-personne, même lors de son déplacement.

Responsabilité du détenteur du matériel (utilisateur final):

- L'utilisateur final doit à tout moment tenir ce carnet de service à disposition de l'organisme de réglementation, de l'inspecteur agréé ou du technicien agréé.
- L'utilisateur final doit être en mesure de fournir le carnet de service.
- Il incombe à l'utilisateur final de garantir l'intégrité du carnet de service.
- En l'absence du carnet de service ou si celui-ci est abîmé, le technicien agréé refusera de signer et de valider la vérification périodique et/ou refusera d'inspecter le pèse-personne.
- En cas de remplacement du carnet de service, ceci doit être signalé par l'inspecteur ou le technicien agréé dans le nouveau carnet de service.
- Il incombe à l'utilisateur final de s'assurer que les organismes de contrôle agréés remplissent dûment le carnet de service ; l'utilisateur final doit signer le carnet après que l'inspecteur ou le technicien a apporté sa propre signature.

<b>* Vérification initiale (cocher la case)</b>	
Date de vérification (JJ/MM/AA) <input type="checkbox"/>	
Organisme de contrôle – Versions UE seulement	
N° d'identification de la société Nom/adresse du prestataire de service	
Représenté par	
Signature du prestataire de service	

## Inhalt

1. Einleitung .....	27
2. Einzelteile.....	28
3. Montage .....	29
4. Betrieb.....	31
5. Bedienfunktionen .....	32
6. Reinigung.....	32
7. Technische Daten .....	33
8. Auswechseln der Batterie .....	35
9. Wartung, Inspektion und Prüfung .....	36
10. Garantie .....	36
11. Wartungsheft für die Waage .....	37

# 1. Einleitung

## Über Ihre Waage:

Die Oxford Digitalwaage ist ein technisch ausgereiftes digitales Wiegesystem mit Mikroprozessorsteuerung. Sie verfügt über zwei große, gut lesbare LCD-Anzeigen, die das Gewicht des Patienten von beiden Seiten anzeigen.

Die Bedienelemente sind einfach und komfortabel zu benutzen. Die Oxford Digitalwaage wird mit einer kostengünstigen, handelsüblichen 9-Volt-Batterie betrieben.

Die Oxford Digitalwaage kann mit den Patientenliftern Oxford Presence und Oxford Stature verwendet werden. Die Modellbezeichnungen für die Waagen lauten wie folgt:

OXF-UNISCALE100	4-Punkt-Halterung mit Waage (für Großbritannien kalibriert)
OXF-UNISCALE100EU	4-Punkt-Halterung mit Waage (für Länder außerhalb Großbritanniens kalibriert)
OXF-UNISCALE101	6-Punkt-Spreizbügel mit Waage (für Großbritannien kalibriert)
OXF-UNISCALE101EU	6-Punkt-Spreizbügel mit Waage (für Länder außerhalb Großbritanniens kalibriert)
OXF-UNISCALE102	Anpassbare elektrische 4-Punkt-Halterung mit Waage (für Großbritannien kalibriert)
OXF-UNISCALE102EU	Anpassbare elektrische 4-Punkt-Halterung mit Waage (für Länder außerhalb Großbritanniens kalibriert)

**Das CE-Zeichen:** Die Oxford Digitalwaage trägt das CE-Zeichen und entspricht den folgenden EG-Richtlinien:

- Richtlinie über Medizinprodukte (MDR) 2017/745
- EMV-Richtlinie (2014/30 / EU)
- NAWI-Richtlinie (2014/31 / EU)
- RoHS-Richtlinie (2011/65 / EU)



## Bestimmungsgemäße Verwendung:

Die flache Oxford Waage ist eine mit RoHS konforme Präzisionswaage zur Verwendung in tragbaren Wiegesystemen für Patienten. Die Waage ist zum Anschließen zwischen dem Hebemechanismus für den Patienten und der Gurtvorrichtung für den Patienten ausgelegt. Die flache Oxford Patientenwaage ist NICHT zum Gebrauch beim Transport des Patienten bestimmt.

## Meldung von schwerwiegenden Vorfällen

Wenn ein schwerwiegender Vorfall beim Gebrauch dieses Produkts auftritt, der sich auf den Patienten und/oder die Pflegeperson auswirkt, muss dieser dem Hersteller des Produkts oder dem autorisierten Fachhändler gemeldet werden. Sollte der Vorfall innerhalb der Europäischen Union (EU) auftreten, muss er auch die Behörde vor Ort gemeldet werden, die im jeweiligen Mitgliedstaat zuständig ist.

## 2. Einzelteile: Digitalwaage

Im Lieferumfang Ihrer Digitalwaage für den Patientenlifter Presence oder Stature sind die folgenden Teile enthalten:

1. 1 x Digitalwaage mit Halterung/Spreizbügel
2. 1 x Benutzerhandbuch
3. 2 x graue Distanzscheiben

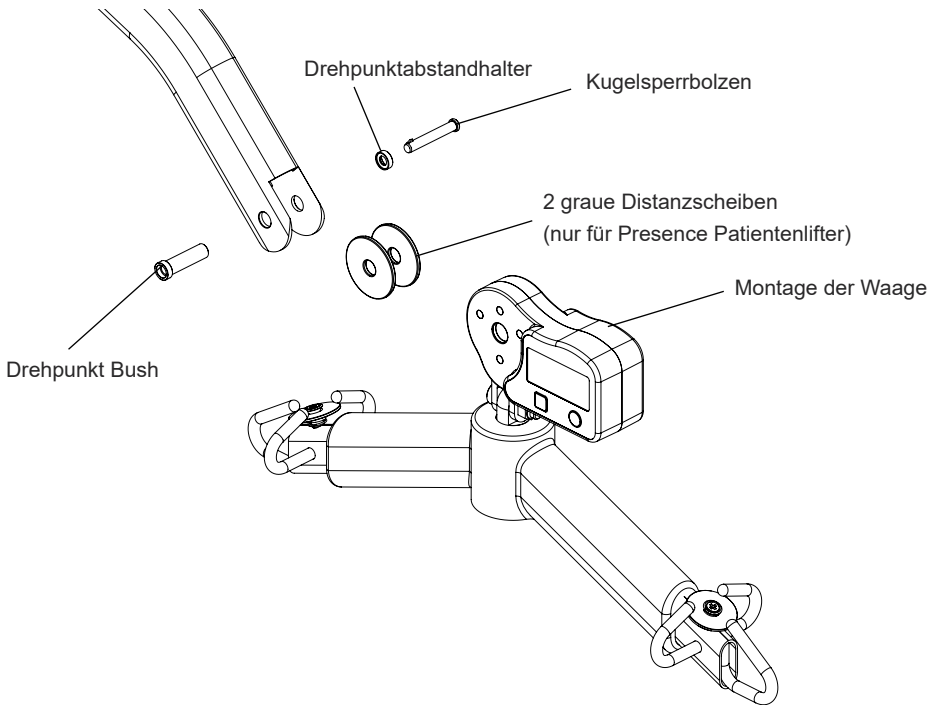


Fig. 1

### 3. Montage

Ihre Waage ist ganz in den 6-Punkt Spreizbügel (Schlaufe), den 4-Punkt-Gurt (manuell) oder den anpassbaren elektrischen 4-Punkt-Gurt (elektrisch) integriert.

Die Befestigung der Baugruppe Waage/Halterung am Patientenflißer ist schnell und einfach, Sie benötigen dafür einen kleinen, flachen Schraubenzieher.

Sie müssen zuerst den vorhandenen Spreizbügel oder die Halterung vom Patientenflißer abnehmen.

#### Abnehmen des Spreizbügels / der Halterung:

Bevor Sie Ihre neue Oxford Digitalwaage befestigen können, müssen Sie zuerst den Spreizbügel/ die Halterung vom Patientenflißer abnehmen. Entfernen Sie dazu den Kugelsperbolzen, mit dem die 4-Punkt-Halterung oder der 6-Punkt-Spreizbügel gesichert ist (Fig. 2). Dafür wird nur ein kleiner, flacher Schraubenzieher benötigt.

**Hinweis:** Vor dem Abnehmen des Kugelsperbolzens muss die Halterung mit einem unbeweglichen Objekt abgestützt werden, z.B. einer Werkbank oder einem Tisch. Dadurch wird verhindert, dass die Halterung plötzlich herunterfällt und Körperverletzungen oder Schäden an der Halterung verursacht.

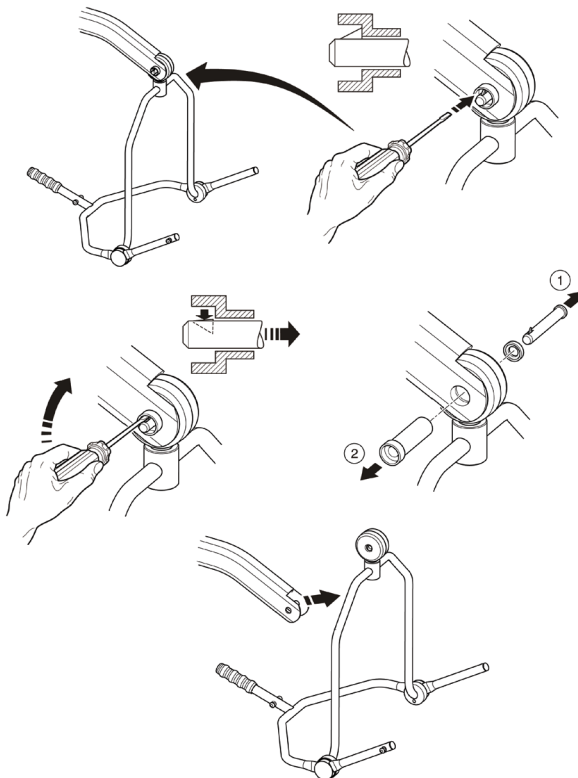


Fig. 2

### Anschließen des Spreizbügels / der Halterung:

Zum Anschließen den Spreizbügel bzw. die Halterung zur Aussparung am Anleger hin anheben. Wenn die Halterung in der Aussparung am Anleger ausgerichtet ist, stecken Sie den Kugelsperbolzen ganz in die Drehpunkt Bush ein, bis er einrastet. SIE MÜSSEN ÜBERPRÜFEN, DASS DER BOLZEN RICHTIG SITZT. Wenn die Verbindung gesichert ist, ertönt ein hörbares "Klickgeräusch" .

Drücken Sie dazu mit Ihrem Finger auf das gerippte Ende. Wenn sich der Bolzen nicht bewegt, darf der Patientelifter benutzt werden (Fig. 3).

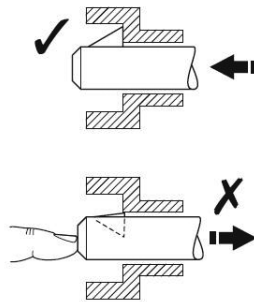


Fig. 3

### **⚠️ WARNUNG**

Der Bolzen und die Drehpunkt Bush müssen durch die Aussparung am Anleger ineinandergreifen. Wenn die Drehpunkt Bush falsch ausgerichtet ist, kann das zu schweren Verletzungen oder zum Tod führen.

## 4. Betrieb

Die Oxford Waage ist für ein Gewicht von maximal 400 kg in 0,2 kg Schritten ausgelegt und zertifiziert. Sie ist für das Wiegen bei Temperaturen von 5°C bis 35°C zertifiziert.

Zum Wiegen von Patienten gehen Sie wie folgt vor:

1. Drücken Sie zum Einschalten der Waage kurz die Taste ON/ZERO. Auf der Anzeige wird entweder 0.0 oder ein beliebiges Messergebnis angezeigt.
2. Befestigen Sie den Gurt am Spreizbügel/an der Halterung, der/die zum Wiegen des Patienten verwendet wird (das ist notwendig, damit das Gewicht des Gurts nicht zum Körpergewicht des Patienten hinzugezählt wird).
3. Halten Sie die Taste „ON/ZERO“ ca. 2 Sekunden lang gedrückt, bis „ZERO“ angezeigt wird. Die Waage wird jetzt auf Null gestellt und ist jetzt zum Wiegen eines Patienten bereit.

**HINWEIS:** In der oberen linken Ecke des Displays erscheint das Symbol „> 0 <“. Es können maximal 40 kg auf Null tariert werden.

4. Nehmen Sie den Gurt vom Spreizbügel oder von der Halterung ab und legen Sie den Gurt um/unter den Patienten, damit dieser vorschriftsgemäß angehoben werden kann.
5. Befestigen Sie den Gurt wieder am Spreizbügel oder an der Halterung. Heben Sie den Patienten so an, dass er vom Patientenlifter getragen wird.

**HINWEIS:** Der Patient darf nichts berühren wie etwa einen Stuhl oder ein Bett, das würde zu einem falschen Ergebnis beim Wiegen führen.

6. Wenn die digitale Anzeige stabilisiert ist, halten Sie das Gewicht fest und senken Sie den Patienten dann auf eine geeignete Oberfläche ab (d.h., ein Bett oder einen Stuhl).

**HINWEIS:** In der oberen linken Ecke des Displays wird das Symbol ">□<" angezeigt. Damit wird angezeigt, dass das gemessene Gewicht stabil ist.

7. Die Waage ist so programmiert, dass sie sich nach 1 Minute abschaltet, um Batterie zu sparen. Der Nullwert (TARA) wird beibehalten. Um die Waage vor dem Absenken des Patienten erneut zu starten, drücken Sie kurz auf die Taste ON/ZERO (nicht >2 Sekunden gedrückt halten, da sonst die Waage unter dem Gewicht des Patienten auf Null gesetzt wird). Auf der Anzeige erscheint der Startbildschirm und dann wird das Gewicht des Patienten angezeigt.

**HINWEIS:** Um die Waage erneut zu starten, drücken Sie die Taste ON/ZERO. Wenn die Waage „eingeschaltet“ ist und die Taste erneut oder länger als 2 Sekunden gedrückt wird, kann die Waage auf Null (0.0) gesetzt werden und das Gewicht des Patienten geht verloren.

8. Mit der Funktion RECALL (Wiederaufruf) wird das letzte stabile Gewicht eines Patienten im Speicher gespeichert.

**HINWEIS:** Durch Drücken der Recall-Taste wird das letzte stabile Gewicht unter allen Bedingungen angezeigt. Wenn zum Beispiel ein Patient gerade gewogen wird und die Taste Recall gedrückt wird, wird das zuletzt gemessene Gewicht angezeigt.

## 5. Bedienfunktionen:

- Der Benutzer hat Zugang zu allen Funktionen, das Etui muss dazu nicht geöffnet werden.
- Das Starten oder auf Null setzen der Waage erfolgt über ein Tastfeld, das sich an der Vorderseite des Etuis befindet.
- Stabile Messwerte werden durch digitale Mittelung erzielt. Sobald sich die Digitalanzeige stabilisiert hat, wird das stabile Gewicht gehalten. Um die Waage wieder zu aktivieren, drücken Sie kurz die ON / NULL-Taste. Das festgehaltene Gewicht wird in einem permanenten Speicher gespeichert und kann bei Bedarf zu einem späteren Zeitpunkt wieder aufgerufen werden.
- Das Display wird ausgeschaltet, wenn es 60 Sekunden lang inaktiv ist, um Batterie zu sparen.
- Das zuletzt gespeicherte Gewicht kann durch Drücken der RECALL-Taste abgerufen werden. Damit kann das Gewicht des letzten Patienten abgelesen werden, nachdem der Patient von der Waage abgenommen wurde.
- Der Batteriehalter ist von außen zugänglich, dadurch wird das Auswechseln der Batterie erleichtert.

## 6. Reinigung

Verwenden Sie zum Reinigen herkömmliche Seife und Wasser und/oder Desinfektionsmittel für harte Oberflächen. Starke chemische Reinigungsmittel oder Scheuermittel sollten nicht verwendet werden, da diese die Oberfläche des Produkts angreifen. Setzen Sie die elektrischen Teile keiner Feuchtigkeit aus. Nach der Reinigung sollte das Gerät gründlich getrocknet werden.

### **WARNUNG**

**Verkratzen Sie das Anzeigefenster nicht.**

**Tauchen Sie die Waage nicht in Flüssigkeit ein und sprühen Sie keine Flüssigkeit direkt auf das Gerät.**

**Verwenden Sie keine Hochdruck- oder Dampfreiniger für die Waage.**

## Entsorgung am Ende der Lebensdauer

**Akku:** Alle Akkus im Produkt und im eventuell vorhandenen Zubehör müssen separat dem Recycling zugeführt werden. Akkus sind gemäß den vor Ort oder landesweit geltenden Vorschriften zu entsorgen.

**Gurte:** Gurte und dazugehörige Materialien und Zubehör sind gemäß den vor Ort oder landesweit geltenden Vorschriften als brennbare Abfälle zu sortieren.



## 7. Technische Daten

- Elektronik..... Mikroprozessorsteuerung.
- Stromversorgung..... 9 Volt Alkali-Batterie PP3.
- Lebensdauer der Batterie..... Minimum 3000 Zyklen (Standardeinstellung 60 Sekunden).
- Anzeige ..... LCD (Liquid Crystal Display) 70 x 30 mm Bildschirm mit 25 mm hohen Zeichen
- Einheit ..... Kilogramm (kg).
- Wägezelle..... Nennlast 400 kg.
- Etui ..... ABS

### Gewicht:

- Flache Oxford Patientenwaage ..... 0,9 kg
- Flache Oxford Patientenwaage an 6-Punkt-Spreizbügel angebaut ..... 2,0 kg
- Flache Oxford Patientenwaage an 4-Punkt-Halterung angebaut..... 6,8 kg
- Flache Oxford Patientenwaage an APC angebaut..... 9,3 kg

## **⚠ WARNUNG**

**Die maximal zulässige Tragkraft des Patientenlifters nicht überschreiten. Die Überschreitung der Tragkraft ist gefährlich und kann zu schweren Verletzungen oder zum Tod führen.**

**HINWEIS:** Die Digitalwaage muss in einer sauberen, trockenen Umgebung mit geregelter Temperatur verwendet werden.

## WICHTIGE SYMBOLE:

Die folgenden Symbole werden am Ladegerät, am Steuerkasten und am Akku verwendet:



Bei diesem Produkt handelt es sich um ein Medizinprodukt gemäß der EU-Verordnung 2017/745 über Medizinprodukte.



Medizinisches elektrisches Gerät, Typ B, gemäß EN 60601-1



Geräte der Klasse 2



Für den Gebrauch im Haus

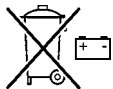


ACHTUNG, siehe die beigelegten Unterlagen



Lesen Sie vor der Verwendung die Bedienungsanleitung

## WEEE-Symbole:



Die Akkus dürfen nicht als Hausmüll entsorgt werden. Akkus sind gemäß den vor Ort oder landesweit geltenden Vorschriften zu entsorgen.



Elektronische Bauteile dürfen nicht als Hausmüll entsorgt werden.



Die durchgestrichene Abfalltonne bedeutet, dass das Produkt innerhalb der Europäischen Union am Ende seiner Lebensdauer separat entsorgt werden muss. Das gilt für Ihr Gerät, aber auch für andere Weiterentwicklungen, die mit diesem Symbol markiert sind. Entsorgen Sie diese Produkte nicht als unsortierten Hausmüll.

**WEEE-Registriernummer der Herstellers: WEE/GG0464RZ**

## 8. Batterie auswechseln

Die elektronische Oxford Digitalwaage wird mit einer 9-Volt-Batterie betrieben. Mit einer neuen Batterie können ca. 3000 Messungen durchgeführt werden, bevor sie ausgewechselt werden muss. Die Anzeige "LOBAT" für schwache Batterien wird angezeigt, wenn die Batterie ersetzt werden muss.

### **Batterie auswechseln:**

1. Schieben Sie die schwarzen Abdeckung des Batteriefachs (an der Unterseite der Waage) in Pfeilrichtung. Ziehen Sie sie heraus, damit das Batteriefach herausgenommen werden kann.
2. Der Batteriehalter gleitet jetzt heraus.
3. Nehmen Sie die alte Batterie heraus und ersetzen Sie sie durch eine neue.
4. Schieben Sie den Batteriehalter wieder zurück in die Waage.

## 9. Wartung, Inspektion & Prüfung

Joerns Healthcare empfiehlt, alle sechs Monate eine gründliche Inspektion und Prüfung aller Oxford Patientenlifter und Zubehörteile durchzuführen. Joerns Healthcare empfiehlt, dass Wartung, Inspektion und zertifizierte Prüfungen nur von einem kompetenten Dienstleister durchgeführt werden. Siehe das Benutzerhandbuch für den Patientenlifter für eine Checkliste mit den Punkten, die überprüft und getestet werden müssen.

### **Wichtiger Hinweis (gilt nur für Europa):**

Die Oxford Waage ist eine Wiegevorrichtung der Klasse III, ist mit der NAWI-Richtlinie 2014/31/EU konform und wurde durch das NMO, Zertifizierungsnummer UK3114, zertifiziert.

Eine erneute Kalibrierung ist im Allgemeinen nicht erforderlich, sollte jedoch regelmäßig überprüft werden, um die Genauigkeit sicherzustellen. Die Empfehlung für die Überprüfung der Kalibrierung ist mindestens alle 12 Monate oder gemäß den individuellen Wartungsrichtlinien erforderlich.

### **Wartung, Reparaturen, Inspektionen und Tests:**

Joerns Healthcare verfügt über ein Netz von renommierten Vertriebspartnern und Kundendienstmechanikern, die Ihre Fragen zu Kauf, Garantie, Reparaturen und Wartung gerne beantworten.

## 10. Garantie

Joerns Healthcare verfügt über ein Netz von autorisierten Fachhändlern und Kundendienstvertretungen, die Ihre Anfragen in Bezug auf Kauf, Garantie, Reparaturen und Wartung gerne beantworten. Wir empfehlen, die Inbetriebnahme unserer Produkte von Ihrem autorisierten Fachhändler oder Ihrer Kundendienstvertretung durchführen zu lassen.

Der Fachhändler oder die Kundendienstvertretung sind für das Garantieprogramm zuständig, deshalb ist es wichtig, dass Sie Namen, Adresse und Telefonnummer notieren, damit Sie sich an diesen bzw. diese wenden können, falls ein Problem auftritt. Wenn Sie sich nicht sicher sind, wo Ihr Patientenlifter gekauft wurde, teilen Sie Joerns Healthcare die Seriennummer des Patientenlifters mit und wir finden den Lieferanten für Sie.

Alle Garantieansprüche sind von der ordnungsgemäßen Benutzung und Wartung gemäß dem Benutzerhandbuch abhängig, das mit allen Patientenliftern mitgeliefert wird. Die Garantie gilt nicht für Schäden, die durch die Benutzung in ungeeigneten Umgebungsbedingungen oder dadurch verursacht wurden, dass die Wartung nicht gemäß dem Benutzer- und Wartungshandbuch durchgeführt wurde. Die Ihnen zustehenden gesetzlichen Rechte bleiben davon unberührt.

**DENKEN SIE DARAN:** Wenden Sie sich für Käufe, Reparaturen, Wartung und zertifizierte Wartung immer an Ihren autorisierten Fachhändler oder an Ihre Kundendienstvertretung.

# 11. Wartungsheft für die Waage

## Nichtselbsttätige Waagen:

<b>Überprüfungsintervall (Jahre)</b>	<b>1 Jahr</b>
<b>Name und Adresse des Kunden (Endbenutzer)</b>	
<b>Waagenmodell</b>	<b>OXF-SCALE-LPU / OXF-SCALE-LPU-EU</b>
<b>Seriennummer der Waage</b>	
<b>Einstufung der Waage</b>	<b>III</b>

## Zweck des Wartungshefts:

- Im Wartungsheft sind alle Informationen enthalten, die für die Inspektion, Reparatur oder Modifizierung des Geräts relevant sind.
- Das Wartungsheft kann von Joerns, vom zugelassenen Prüfer oder dem zugelassenen Reparaturmechaniker zur Verfügung gestellt werden.
- Das Wartungsheft muss die Waage am Einsatzort begleiten.
- Das Wartungsheft muss immer bei der Waage bleiben, auch wenn es sich um eine mobile Waage handelt.

## Verantwortung des Inhabers der Vorrichtung (Endbenutzer):

- Der Endbenutzer muss dieses Wartungsheft jederzeit dem zuständigen Eichamt, dem zugelassenen Prüfer oder zugelassenen Mechaniker zur Verfügung stellen.
- Der Endbenutzer ist für die Vorlage des Wartungshefts verantwortlich.
- Der Endbenutzer ist für die Intaktheit des Wartungshefts verantwortlich.
- Ein fehlendes oder beschädigtes Wartungsheft hat zur Folge, dass die Unterschrift für die periodische Inspektion verweigert werden und/oder dass sich der zugelassene Mechaniker weigern kann, Arbeiten an der Waage durchzuführen.
- Wenn das aktuelle Wartungsheft ersetzt wird, muss der zugelassene Prüfer oder Mechaniker dies im neuen Wartungsheft vermerken
- Der Endbenutzer ist dafür verantwortlich, dass die zugelassenen Stellen das Wartungsheft ausfüllen. Der Endbenutzer sollte das Wartungsheft nach der Unterschrift durch den zugelassenen Prüfer oder Mechaniker unterschreiben.

<b>*Erstprüfung (bitte ankreuzen)</b>	
<b>Datum der Überprüfung (TT/MM/JJ)</b> <input type="checkbox"/>	
<b>Prüfstelle - nur EU-Versionen</b>	
<b>IdNr. der Organisation Name/Adresse des Dienstleisters</b>	
<b>Vertreten durch</b>	
<b>Unterschrift des Dienstleisters</b>	

## Datos de contacto del fabricante

### Índice

1. Introducción .....	39
2. Piezas integrantes .....	40
3. Montaje .....	41
4. Funcionamiento .....	43
5. Características .....	44
6. Limpieza.....	44
7. Especificaciones técnicas.....	45
8. Reemplazo de la pila .....	47
9. Mantenimiento, verificación y prueba .....	48
10. Garantía .....	48
11. Libro de registros de la balanza .....	49

# 1. Introducción

## Acerca de esta balanza:

La balanza digital Oxford es un dispositivo de pesaje con tecnología digital de avanzada controlado por microprocesador. Cuenta con dos pantallas de gran tamaño y fácil lectura de cristal líquido (LCD) que muestran el peso del paciente de cualquiera de los dos lados.

Los controles son sencillos y fáciles de utilizar. La balanza digital Oxford se alimenta por una pila económica de 9 voltios.

La balanza digital Oxford se puede utilizar junto con los sistemas de elevación Oxford Presence y Stature. Los números de modelo de la balanza son:

OXF-UNISCALE100	soporte de 4 puntos con balanza (calibración apta Reino Unido)
OXF-UNISCALE100EU	soporte de 4 puntos con balanza (calibración apta para fuera de Reino Unido)
OXF-UNISCALE101	barra extensora de 6 puntos con balanza (calibración apta Reino Unido)
OXF-UNISCALE101EU	barra extensora de 6 puntos con balanza (calibración apta para fuera de Reino Unido)
OXF-UNISCALE102	soporte eléctrico Adaptive de 4 puntos con balanza (calibración apta Reino Unido)
OXF-UNISCALE102EU	soporte eléctrico Adaptive de 4 puntos con balanza (calibración apta para fuera de Reino Unido)

**Marca de la CE (Solo Europa):** La balanza digital Oxford lleva la marca "CE" y cumple con las siguientes directivas correspondientes:



- Directiva de dispositivos médicos (MDR) 2017/745
- Directiva EMC (2014/30 / EU)
- NAWI Directive (2014/31 / EU)
- Directiva RoHS (2011/65 / EU)

## Uso destinado:

La balanza Oxford de Bajo Perfil es una balanza de precisión compatible con la directiva RoHS para uso en sistemas de pesaje portátil de pacientes. La balanza está diseñada para ir conectada entre el mecanismo elevador del paciente y el arnés. La balanza Oxford de Bajo Perfil NO está diseñada para trasladar pacientes.

## Notificación de incidentes graves

En caso de que se produzca un incidente grave durante el uso de este producto, que afecte al paciente y/o al proveedor de cuidados, debe comunicarse con el fabricante del producto o el distribuidor autorizado. Si el incidente se produce dentro de la Unión Europea (UE), también se debe informar a la autoridad local competente del Estado miembro.

## 2. Piezas integrantes: Balanza digital

Los siguientes componentes están incluidos en su balanza digital para los elevadores Presence o Stature.

1. 1 x balanza digital con soporte /barra extensora
2. 1 manual de usuario
3. 2 x discos separadores grises

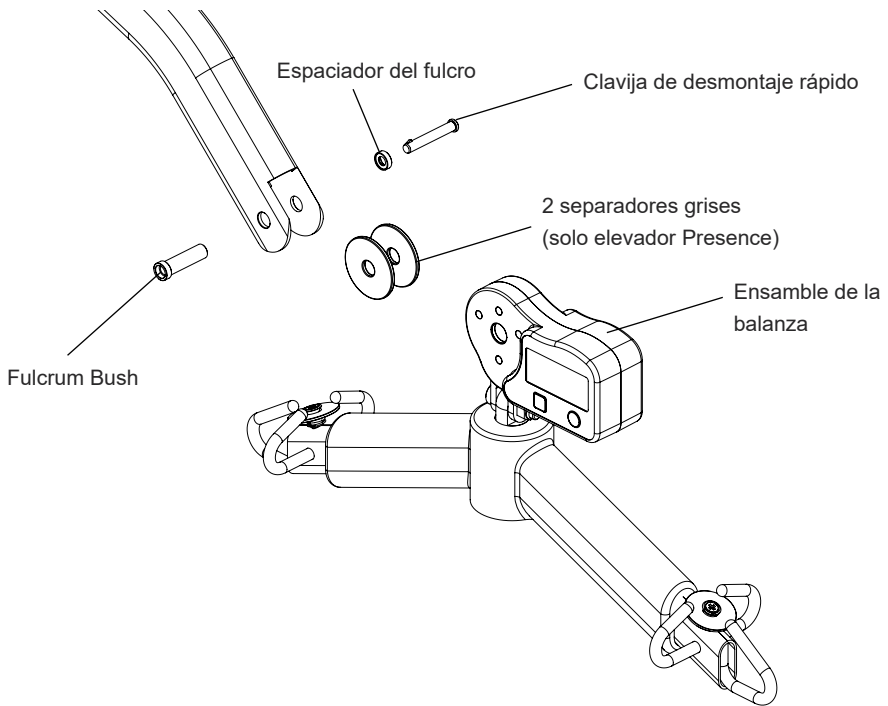


Fig. 1



### 3. Montaje

La balanza viene completamente integrada con la barra extensora de 6 puntos, un soporte de 4 puntos (sin alimentación eléctrica) o un soporte Adaptive de 4 puntos (con alimentación eléctrica).

El montaje de la balanza/soporte al elevador es un proceso rápido y sencillo, y requiere un destornillador pequeño de punta plana.

En primer lugar, tiene que extraer la barra extensora o soporte del elevador.

#### Extracción de la barra extensora/soporte:

Para conectar la nueva balanza digital Oxford, primero tiene que extraer la barra extensora/soporte del elevador. Para ello, retire el pasador de desmontaje rápido que sujeta el soporte de 4 puntos o la barra extensora de 6 puntos (Fig. 2). Solo necesita un destornillador de punta plana para esta operación.

**Precaución:** Antes de retirar el pasador de desmontaje rápido, procure sostener el soporte sobre alguna superficie fija, como un banco de trabajo o mesa. Esto evita que el soporte caiga de repente y previene lesiones o daños en el soporte.

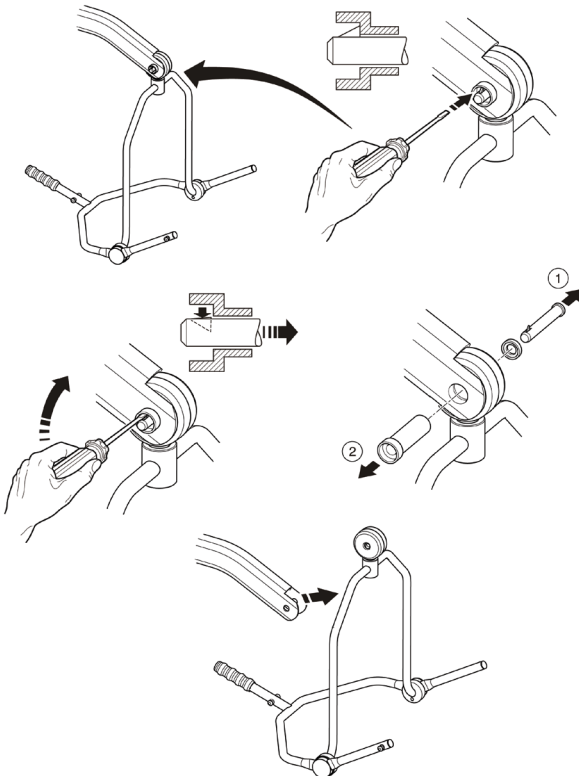


Fig. 2

### Conexión de la barra extensora/soporte:

Para conectar, eleve la barra extensora/ soporte hacia la ranura del brazo. Una vez alineada la ranura del brazo, vuelva a insertar el pasador de seguridad por completo en la Fulcrum Bush hasta que quede colocado en la posición correcta. PROCURE QUE EL PASADOR ESTÉ SUJETO DE FORMA SEGURA; la manera de saber si la conexión es segura es si ha escuchado un "clic".

Para ello, ejerza presión con el dedo en el extremo de la lengüeta. Si el pasador permanece inmóvil, es seguro usar el elevador (Fig. 3).

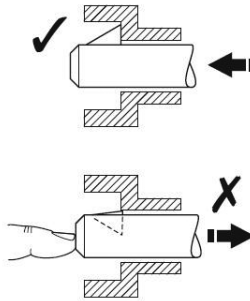


Fig. 3

### ⚠ ADVERTENCIA

El pasador y el Fulcrum Bush deben pasar por la ranura del brazo. Si el Fulcrum Bush no quedase perfectamente alineado, podría ocasionar lesiones graves o hasta la muerte.

## 4. Funcionamiento

La balanza Oxford ha sido diseñada y certificada para pesar hasta 400 kg en aumentos de 0,2. Cuenta con una certificación para operar en temperaturas entre 5° C y 35° C.

Para pesar un paciente, siga este procedimiento:

1. Para encender la balanza, presione y suelte el botón de encendido ON/ZERO. La pantalla pondrá 0.0 o una medida aleatoria.
2. Acople el arnés a la barra extensora o soporte que piensa utilizar para pesar al paciente (este paso es necesario para que el peso del arnés no quede incluido en el peso total del paciente).
3. Presione y mantenga presionado el botón de encendido ON/ZERO durante unos 2 segundos, hasta que en la pantalla ponga "ZERO". La balanza está en cero y lista para pesar a un paciente.

**NOTA:** La esquina superior izquierda de la pantalla tendrá el símbolo "> 0 <". Esto indica que la balanza ha quedado efectivamente en cero. No puede poner a cero más de 40 kg.

4. Retire el arnés de la barra extensora o soporte y colóquelo alrededor o debajo del paciente para poder pesarlo de manera correcta.
5. Vuelva a acoplar el arnés a la barra extensora o soporte; eleve el paciente para que quede suspendido del elevador.

**NOTA:** El paciente no puede quedar tocando ninguna superficie, como silla o cama, ya que eso causaría un error al pesarlo.

6. Una vez que se ha estabilizado la pantalla digital, registre el peso y descienda el paciente sobre la superficie adecuada (p. ej. cama o silla).
- NOTA:** La esquina superior izquierda de la pantalla tendrá el símbolo "> □ <". Este indica que el peso medido es estable.
7. La balanza está programada para apagarse tras un minuto a modo de preservar la vida de la pila. El cero (TARA) se mantendrá. Para reiniciar la balanza antes de bajar al paciente, pulse el botón de encendido ON/ZERO por un momento (no lo presione durante >2 segundos, o la balanza marcará cero bajo el peso del paciente). El visor mostrará la pantalla de inicio y luego el peso del paciente.
- NOTA:** Para volver a iniciar la balanza, asegúrese de pulsar el botón de encendido ON/ZERO. Si la balanza está "encendida", y se pulsa el botón otra vez, o durante más de 2 segundos, puede que el contador vuelva a cero (0.0), y entonces perderá el peso del paciente.

8. La función de recordar RECALL está diseñada para retener en la memoria del dispositivo el último peso estable de un paciente.

**NOTA:** Al presionar el botón de recordar Recall, la pantalla muestra el último peso estable bajo cualquier condición. Por ejemplo, si un paciente está a punto de ser pesado, y alguien presiona el botón de recordar Recall aparecerá en pantalla la medida anterior.

## 5. Características

- Todas las funciones están al alcance del usuario sin necesidad de abrir la carcasa.
- El inicio o la puesta a cero de la balanza se realiza a través de una única pantalla táctil, situada en la parte delantera de la carcasa.
- Las lecturas estables se obtienen mediante el promedio digital. Una vez que la pantalla digital se ha estabilizado, se mantendrá el peso estable. Para volver a activar la báscula, presione momentáneamente la tecla ON / ZERO. El peso almacenado queda en una memoria no volátil para poder recuperarlo luego si es necesario.
- La pantalla se apaga tras 60 segundos de inactividad para ahorrar pilas.
- La recuperación del último peso retenido está disponible presionando el botón RECALL. Esto permite leer el último peso del paciente, después de que éste se ha retirado de la balanza.
- La sustitución de la pila es muy fácil, ya que el acceso al compartimiento es externo.

## 6. Limpieza

Limpie con jabón corriente y agua, y/o con cualquier desinfectante para superficies duras. Deben evitarse limpiadores químicos o abrasivos, ya que pueden dañar el acabado de la superficie del producto. No moje ninguna pieza eléctrica. Después de la limpieza, la unidad debe secarse completamente.

### ADVERTENCIA

**No raye la ventana de la pantalla.**

**No sumerja la balanza en líquido ni rocíe la unidad directamente con producto líquido.**

**No utilice agua presurizada o vapor sobre la balanza.**

### Eliminación al final de la vida útil

**Batería:** Todas las baterías del producto y los accesorios que lo acompañan deben reciclarse por separado. Las baterías deben desecharse de acuerdo con las normas o reglamentos locales o nacionales.

**Arneses:** Los arneses y accesorios de material asociados deben clasificarse como residuos combustibles de acuerdo con las normativas locales o nacionales.

## 7. Especificaciones Técnicas

- Piezas electrónicas ....Controladas por microprocesador.
- Alimentación .....Pila alcalina PP3 de 9 voltios.
- Duración de la pila.....Mínimo 3000 ciclos (60 segundos por defecto).
- Pantalla .....LCD (cristal líquido) Pantalla de 70 x 30 mm con personajes de 25 mm de altura.
- Unidades de peso .....kilogramos (kg).
- Célula de carga .....Con valor de 400 kg.
- Carcasa .....ABS

### Pesos

- Balanza Oxford de Bajo Perfil .....0,9 kg
- Balanza Oxford de Bajo Perfil adjunta a la barra extensora de 6 puntos.....2,0 kg
- Balanza Oxford de Bajo Perfil adjunta al soporte de 4 puntos .....6,8 kg
- Balanza Oxford de Bajo Perfil adjunta al soporte eléctrico Adaptive ..... 9,3 kg

## ADVERTENCIA

**No exceda la capacidad estipulada para el elevador. Si excede la capacidad estipulada, podría ocasionar lesiones graves o hasta la muerte.**

**Precaución:** Solo utilice la balanza digital en un ambiente cerrado, limpio, seco y con temperatura controlada.

## EXPLICACIÓN DE LOS SÍMBOLOS:

Los signos enunciados a continuación se utilizan en el cargador, la unidad de control y la batería:



Este producto es un Dispositivo Médico de acuerdo con la Ordenanza de Dispositivos Médicos de la UE 2017/745.



Equipo de tipo B, según EN 60601-1



Equipo de clase



Para uso en interiores solamente

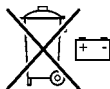


ATENCIÓN: consulte los documentos adjuntos



Consulte las instrucciones del usuario antes de usar

### Símbolos de la directiva RAEE:



La batería no debe desecharse junto con los residuos domésticos. Las baterías deben desecharse de acuerdo con las normas o reglamentos locales o nacionales.



Las piezas de electrónica no deben desecharse junto con los residuos domésticos



La papelera dentro de un círculo tachado significa que, dentro de la Unión Europea, cuando el producto llega al final de su vida útil, debe desecharse en un centro de recogida de basura específico. Esto se aplica al dispositivo pero también a todas las actualizaciones o mejoras identificadas con dicho símbolo. No deseche estos productos junto con los residuos municipales sin clasificar.

**Productores de RAEE - Número de registro: WEE/GG0464R2**

## 8. Reemplazo de la pila

La balanza digital electrónica Oxford se alimenta por una pila económica de 9 voltios. Una pila nueva proporciona unas 3000 lecturas antes de necesitar recambio. El indicador "LOBAT" de batería baja se muestra cuando se requiere reemplazar la batería.

### Para reemplazar la pila:

1. Empuje la almohadilla negra del compartimiento de la pila (ubicado en la parte inferior de la balanza) en la dirección que indica la flecha. Tire para extraer el compartimiento de la pila.
2. El compartimiento de la pila se desliza y desmonta.
3. Extraiga la pila gastada y reemplácela por una nueva.
4. Empuje hasta colocar el compartimiento de la pila de vuelta en su lugar.

## 9. Mantenimiento, verificación y prueba

Joerns Healthcare recomienda llevar a cabo una inspección exhaustiva y pruebas a todos los elevadores Oxford como también a sus correspondientes accesorios de elevación con una frecuencia semestral. Joerns Healthcare recomienda que solo proveedores de servicio competentes efectúen las tareas de mantenimiento, verificación y pruebas certificadas. Consulte el manual de instrucciones del elevador para encontrar la lista de comprobación de los componentes que han de ser objeto de verificación y prueba.

### **Nota importante (requisito solo para Europa):**

La balanza Oxford es un dispositivo de pesaje de Clase III que cumple con la directiva NAWI 2014/31/EU, y ha sido certificado por el NMO, con la certificación número UK3114.

La recalibración generalmente no es necesaria, pero debe verificarse periódicamente para garantizar la exactitud. La recomendación para la verificación de calibración es al menos una vez cada 12 meses, o según lo requiera la política de mantenimiento individual.

### **Mantenimiento, reparaciones, verificaciones y pruebas:**

Joerns Healthcare cuenta con una red establecida de distribuidores y técnicos acreditados que estarán gustosos de responder a todas sus inquietudes respecto a la adquisición, garantía, reparación y mantenimiento de los productos.

## 10. Garantía

Joerns Healthcare cuenta con una red establecida de distribuidores autorizados y agentes técnicos que estarán gustosos de responder a todas sus inquietudes respecto a la adquisición, garantía, reparación y mantenimiento de los productos. Se recomienda que un distribuidor autorizado o agente técnico encarguen nuestros productos.

El distribuidor o representante opera el Programa de la garantía; de manera que es importante conservar el nombre, dirección y teléfono para poder establecer contacto en caso de que surja algún problema. Si tiene dudas acerca del lugar de compra del elevador, Joerns Healthcare puede ubicar al proveedor si usted cita el número de serie del producto.

Todas las reclamaciones respecto de la garantía están sujetas a la correcta utilización y mantenimiento del producto, de acuerdo con el manual de instrucciones suministrado con cada elevador. La garantía pierde validez ante cualquier daño causado por el uso en condiciones ambientales inadecuadas o por falta de mantenimiento del producto según las instrucciones de mantenimiento para el usuario. Sus derechos legales no se verán afectados.

**RECUERDE:** Póngase en contacto con su distribuidor autorizado o agente técnico por adquisiciones, reparaciones, servicio y mantenimiento certificados.



## 11. Libro de registros de la escala

Instrumentos de pesaje de funcionamiento no automático:

Período de verificación (años)	1 año
Nombre y dirección del cliente (usuario)	
Modelo de la balanza	OXF-SCALE-LPU / OXF-SCALE-LPU-EU
Número de serie de la balanza	
Clasificación de la balanza	III

### Propósito del libro de registros:

- El libro de registros contiene toda la información correspondiente a la inspección, reparación o modificación del instrumento.
- Tanto Joerns como un inspector aprobado o un ingeniero de reparaciones autorizado pueden proporcionar el libro de registros.
- El libro de registros debe ir con la balanza donde quiera que fuese a utilizar el instrumento de pesaje.
- El libro de registros debe ir siempre con la balanza, incluso si dicho instrumento es móvil.

### Responsabilidad del titular del equipo (usuario):

- El usuario debe facilitar el libro de registros en todo momento para presentar ante el órgano regulador local, el inspector aprobado o el ingeniero autorizado.
- El usuario del libro de registros tiene la responsabilidad de presentar dicho documento cuando sea necesario.
- El usuario es responsable de cuidar la integridad del libro de registros.
- Si el libro de registros se perdiese o dañase, el ingeniero autorizado podría negarse a firmar las verificaciones periódicas y/o negarse a realizar trabajos en la balanza.
- Si tuviese que reemplazar el libro de registros actual, el inspector aprobado o ingeniero autorizado deberá documentar este procedimiento en el nuevo diario
- Es responsabilidad del usuario que los organismos autorizados de verificación rellenen el libro de registros; el usuario final deberá firmar el libro de registros después de la firma del inspector aprobado o ingeniero autorizado.

<b>*Verificación inicial (casilla de verificación)</b>	
Fecha de verificación (DD/MM/AA) <input type="checkbox"/>	
Ente de verificación - Solo versiones europeas	
Nº de ID de organización Nombre/dirección de proveedor de servicios	
Representado por	
Firma de proveedor de servicios	





