

ERA

723 Safety Locking Restrictor Fitting Instructions

Installing Safety Locking Restrictor

To fit a Safety Locking Restrictor you will require: a Bradawl (or drill with 2.0mm drill bit), a Screwdriver and a Pencil.

Suitable for inward and outward opening hinged windows and doors. We recommend using 5 x 4.5 x 45mm Gimlet Point Screws (included) for PVCu, Timber and Aluminium windows and doors. If fitting to hardwood or aluminium drill 2.0mm pilot holes, please ensure that you remove any swarf from the window surface after pre-drilling. Please read the instructions carefully before mounting and using the locking device. The child protective function of the locking device may be affected if you do not follow the instructions. Keep the instructions for future reference

- A** We recommend positioning above the handle when fitted vertically on a window/door and positioned to the side of the handle when fitted horizontally for free movement of handle
- B** To select the position for the Locking Restrictor please mark the position of the cable holder on the sash. Open the window to the preferred distance of less than 89mm (to comply with BS EN 16281:2013), position the lock body on the frame and mark
- C** Once you have correctly determined the position, using the lock body screw on to the frame (cable insertion facing upwards)
- D** With the cable inserted into the lock body, position the cable holder on the window/door- release the cable and screw into position. Peel off the film from the back of the screw covers and stick into position

Additional Information

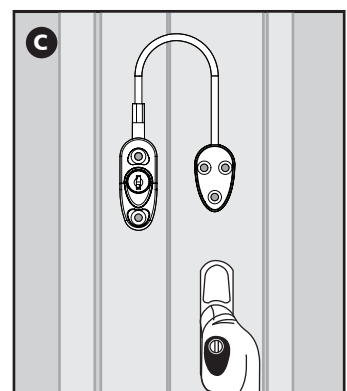
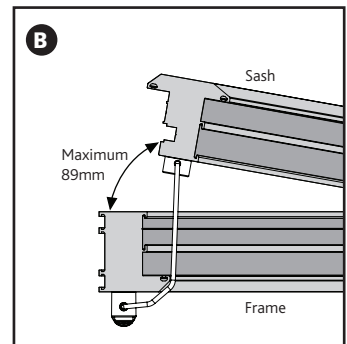
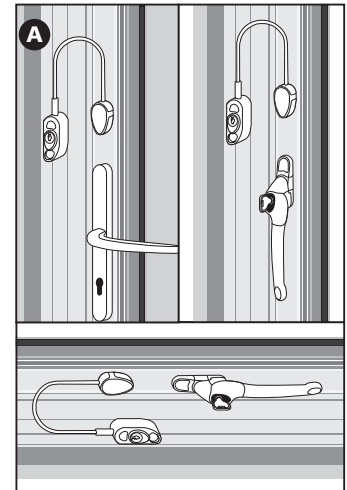
Operation - Key required to lock and unlock.

To lock - Push button in and insert cable into lock body. Let go of button and pull cable until you hear a click. Check cable is secure. Insert Key and turn 180° clockwise to lock. Check cable is secure again and remove key.

To unlock - insert the key and turn 180° anti-clockwise. Remove the key, press the button to release while pulling out the cable.

Security Tip - Never leave keys in reach of children or inserted in lock

Maintenance - Use moist cloth to clean all type of finish, household abrasives or solvents may affect the surface finish



Classification

The Safety Locking Restrictor - Classification in accordance with BS EN 13126-1: 2011:

Category	1	2	3	4	5	6	7	8	9
Classification	-	3	25	0	3/3	4	-	5/7	900/1200