

Wheelchair Retainer Belts

A very simple retaining strap to hold the occupant more securely when seated in wheelchair, single seat or scooter etc.

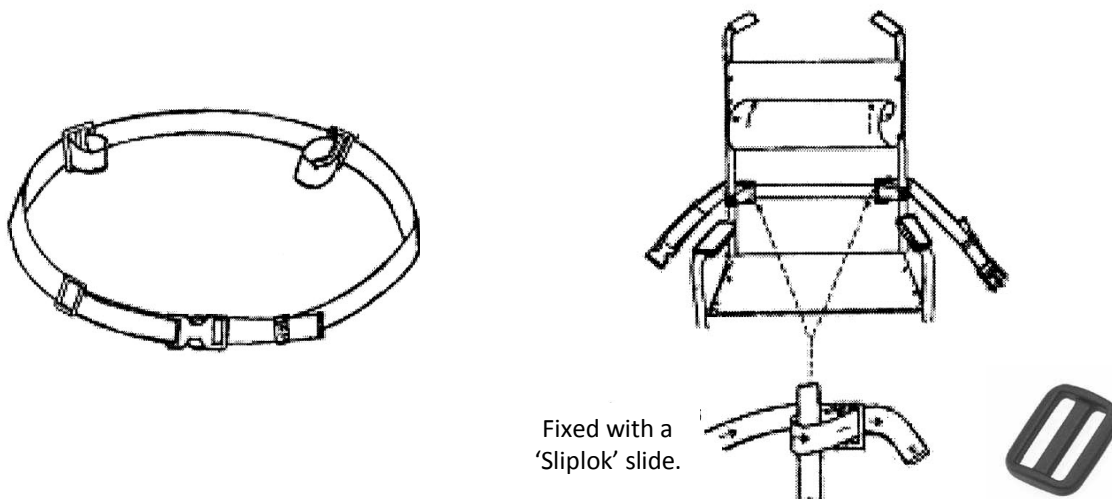
It consists of a length of webbing strap fitted with a buckle of your choice

It is not a safety belt

The retainer belt can be fixed by two different methods

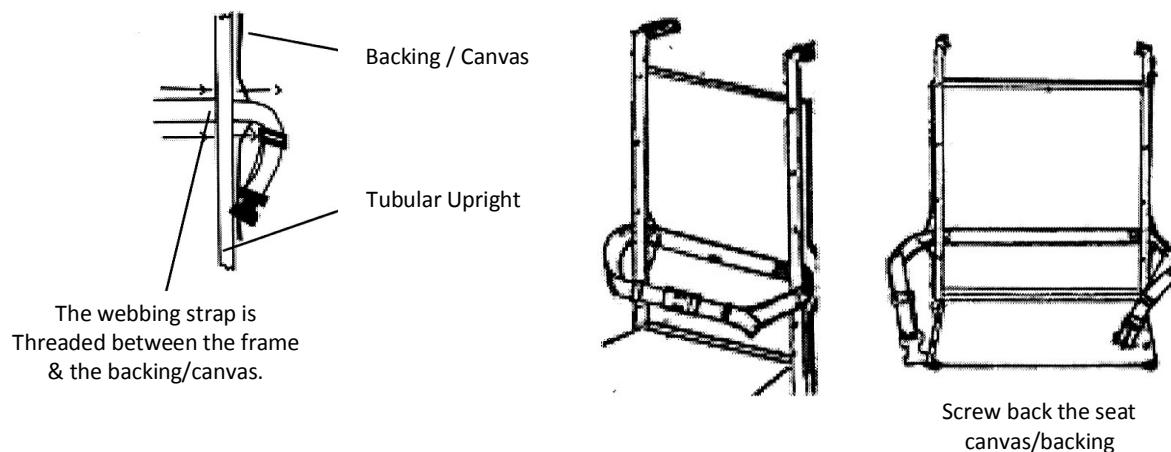
1. Slide Loop Method

The belt is looped around the tubular uprights of the chair frame by threading the webbing through a 'Sliplok' plastic slide.



2. Back Canvas / Seat Back Method

Ease off the seat backing/canvas & thread the webbing through the space into position. Then re-screw the seat backing.



Available in two sizes:

Junior - suitable for smaller child frame chairs

Adult - suitable for Teenager/Adult size frame chairs.

Choice of buckles available



Sea Sure Lever Buckle



Side Squeeze Buckle



Press Button Vehicle Buckle



Steel Safety Buckle

Crelling Harnesses For Disabled Ltd.

12 Crescent East, Thornton-Cleveleys, Lancashire, FY5 3LJ

Tel: 01253 852298 Fax: 01253 821780 Email: info@crelling.com Website: www.crelling.com