



Caleche & Caleche Compact Baths

4500.10, 4500.20, 4504.00

Caleche Baths

Side access, semi-assistive baths

The **Caleche** is the ideal side transfer bath for either independent users or those requiring assisted bathing. They are suitable for use in hospitals, nursing and residential care facilities and sheltered accommodation.

The **Caleche** and **Caleche Compact** are both stylish and functional enabling walk in access, side transfer from wheelchair or commode chair, as well as from mobile or ceiling track hoists. Their compact designs enable installation in the smallest of spaces and their large, internal dimensions provide ample room for users up to 200kg. The large, lockable, side access door provides added security. HydroSpa is available as an option.



Integral hair wash basin



Hygienic moulded seat

Caleche Bath

Bath

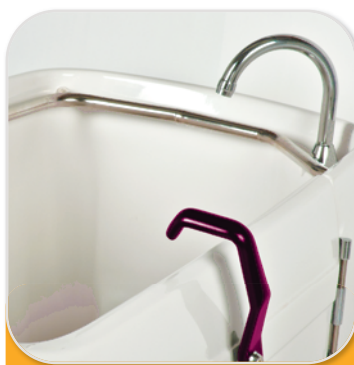
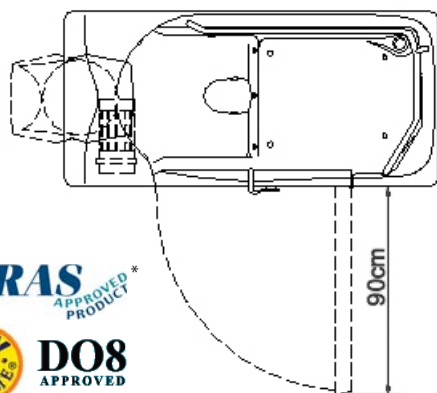
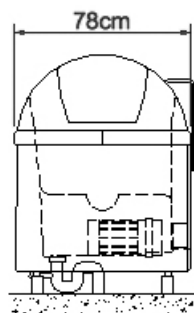
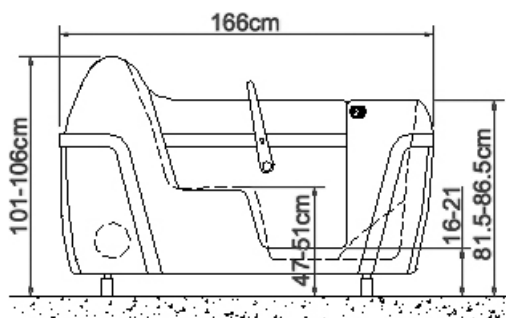
- ▶ Reinforced fibreglass bath, white colour
 - ▶ Footrest and non-slip bottom
 - ▶ Integrated soapdish
 - ▶ 4 adjustable feet (5cm)
 - ▶ Patented waterproof system
 - ▶ Locking handle accessible from inside
 - ▶ Draining by trap Ø50mm and overflow Ø38mm
 - ▶ Door for draining access
 - ▶ Integrated stainless steel peripheral handrail
 - ▶ Water volume: 205 litres
 - ▶ Maximum water level: 100 cm
 - ▶ Maximum patient weight: 200 kg
- ▶ Integrated and retractable hair wash basin, connected to the trap
 - ▶ Lock

Options

- ▶ HydroSpa
- ▶ ColourSpa
- ▶ AromaSpa
- ▶ AudioSpa

Weight

- ▶ 80-85kg



Integrated hand rail



* Approval under application

Caleche Compact Bath

Bath

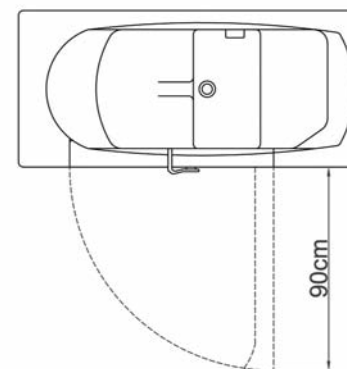
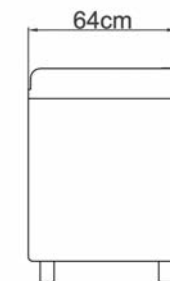
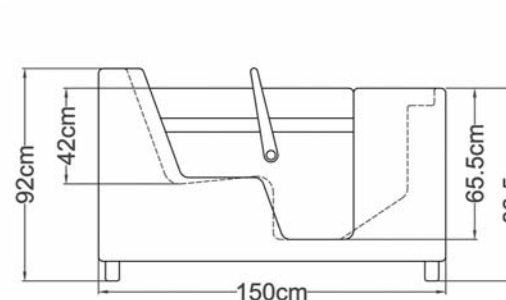
- ▶ Reinforced fibreglass bath, white colour
 - ▶ Footrest and non-slip bottom
 - ▶ Integrated soapdish
 - ▶ 4 adjustable feet (5cm)
 - ▶ Patented waterproof system
 - ▶ Locking handle accessible from inside
 - ▶ Draining by trap Ø50mm and overflow Ø38mm
 - ▶ Door for draining access
 - ▶ Integrated stainless steel peripheral handrail
 - ▶ Water volume: 120 litres
 - ▶ Maximum water level: 100 cm
 - ▶ Maximum patient weight: 200 kg
- ▶ Lock

Options

- ▶ HydroSpa
- ▶ ColourSpa
- ▶ AromaSpa
- ▶ AudioSpa

Weight

- ▶ 80-85kg



* Approval under application