

Shower & Bath

Amber

Comfort, hygiene and safety for perfect patient and personal care.

Electric height adjustable wall changing table

REF. 7754.00

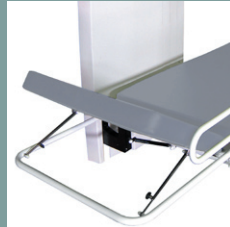


The wall changing table is safe for both the patient and the user. The wall-mounted unit is height adjustable and has a multi-functional design. By positioning this highly versatile changing table to the correct height, transfers can be easily made from other aids such as beds, stretchers, shower seats and wheelchairs.

REVAL
SUSTAINABLE WELL-BEING

Shower & Bath

Amber

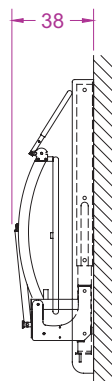
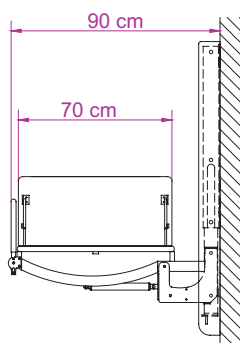
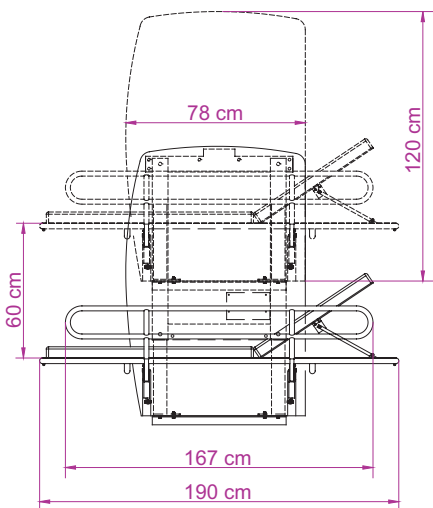


UNIQUE FEATURES

- User friendly.
- Transfer easy.
- Easy to clean.
- Rilsan coating, shockproof.
- Silent adjustable height.
- Small size.

Electric height adjustable wall changing table

REF. 7754.00



DESCRIPTION:

- Wall frame: steel, electrolytically galvanised.
- Support with leatherette cover, gray color.
- 1 folding safety barrier.
- 1 adjustable backrest.
- Rilsan coating, shockproof.
- Stainless steel hinges and screws.
- Hi/Lo functions by 24v electric jack.
- Support with blue leatherette cover.

HI/LO JACK:

- Voltage / Power / IP : 24 Vdc / 120 W / IP66

CONFORMITY:

- 93/42/CEE (Medical Devices Directive)
- ISO 10535:2006 (Hoists for the Transfer of Disabled Persons)
- ISO 14971:2007 (Risk Management for Medical Devices)

OPTIONS:

- REF 7799.01 Option leatherette cover in plum color.

BATHROOM REQUIREMENTS:

(Please refer to the Amber 7754 technical needs document)

- 230V power supply.
- 30mA differential switch.
- Universal socket (min. IP55).
- No obstacles on wall.



PERFORMS:

- Maximum patient weight : 150 kg
- Lifting capacity : 135 kg
- Weight of the complete unit : 85 kg
- Lifting range : 60 cm
- Speed : 14 mm/s at maximum load.
- Lowest reclining position : 40 - 50 cm above the floor