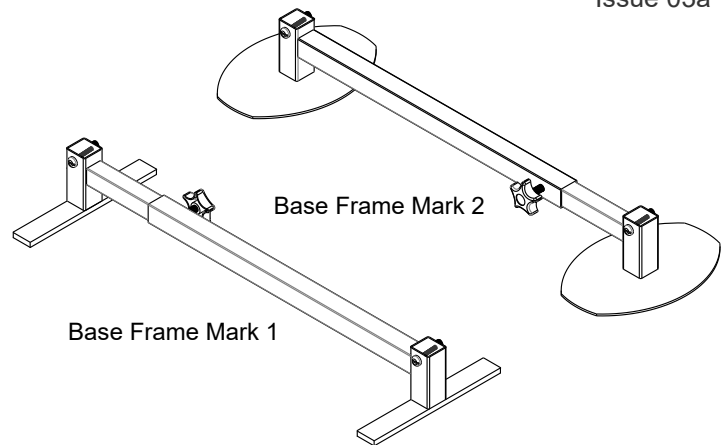


Morris & Alexander

Alexander Universal Furniture Raisers

Note: These frames require the addition of an attachment.
(See pages 4 - 11)



Fitting & User Instructions

These instructions apply to the raising of Armchairs, Recliner & Riser-Recliner chairs, Settees, Recliner Settees, Beds (Single to King Size) & Double Divan Beds with legs, castors, small feet or wooden frames with no feet at all.

IDENTIFICATION OF PARTS	(ATTACHMENTS Supplied Separately)
<p>Frame (AL-01H)</p> <p>Height adjustment screw and plastic nut</p> <p>Adhesive Rubber Pad (Page 3)</p> <p>Short Hand Wheel</p>	<p>Furniture Disc Raiser (AL-03) Supplied Separately (Page 2)</p> <p>Round Cup (AL-10) Supplied Separately (Page 4)</p> <p>Square Cup (AL08-3 & 4) Supplied Separately (Page 5)</p> <p>Twin Cup Atts. (AL-06) Supplied Separately (Page 11)</p> <p>Riser & Recliner Atts. (AL-12) Supplied Separately (Page 8, 9 & 10)</p> <p>Flat Plate (AL-09) Supplied Separately (Page 7)</p> <p>Angle Bracket (AL-07) Supplied Separately (Page 6)</p> <p>3-Sided Square Cup (AL11-3 & 4) Supplied Separately (Page 5)</p>

Max Weight Loading - 635kg (100 stone) per pair. Any additional frames used adds an extra 317kg (50 stone) per frame. Please read these instructions carefully before installation.

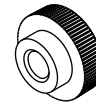
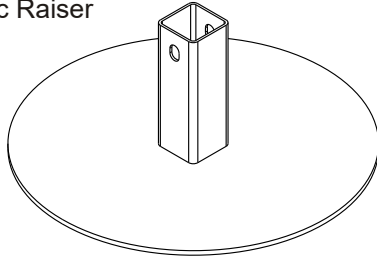
User precautions:

- This product is only to be installed for the purpose for which it is intended (for furniture placed on a flat, stable and horizontal surface) and only to be installed by a competent individual.
- An appropriate risk assessment should be carried out before installation.
- Ensure that the raised furniture is stable before use.
- This raiser is for indoor use only.
- Check tightness of hand wheels and fixings periodically.
- Clean with damp cloth. Use non-abrasive detergent and dry thoroughly.
- For larger pieces of furniture you may require Extender Bars (EXT-B2) supplied separately to increase the raisers length.

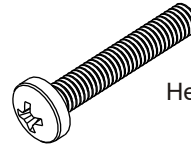
Alexander Furniture Disc Raiser Fitting Instructions

IDENTIFICATION of PARTS

Alexander Furniture Disc Raiser Base Frame (AL-03)



Plastic nut



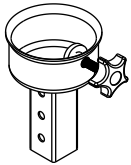
Height adjustment screw

1

The Alexander Furniture Disc Raiser is intended to support additional legs/feet/castors (sometimes referred to as 'The 5th Leg'). It can also be used as a furniture raiser when 4 or more are used together.

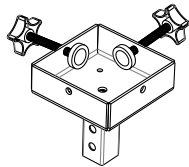
This product is only to be used for the purpose for which it is intended (for raising Armchairs, Settees, Beds (Single to King Size) & Double Divan Beds with legs, castors, small feet or wooden frames with no feet at all.

All Alexander attachments are suitable for use with the Furniture Disc Raiser EXCEPT the 3-sided square cups (AL11-3 & 4) & the Riser & Recliner Attachment (AL-12). See available attachments below and relevant page numbers for how to fit.



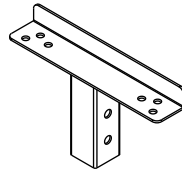
Round Cup (AL-10)

Supplied Separately
(Page 4)



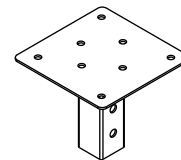
Square Cup (AL08-3)
(AL08-4)

Supplied Separately
(Page 5)



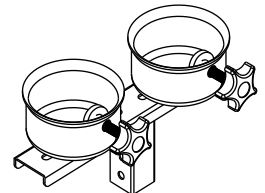
Angle Bracket (AL-07)

Supplied Separately
(Page 6)



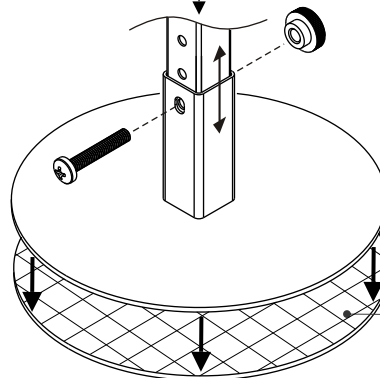
Flat Plate (AL-09)

Supplied Separately
(Page 7)



Twin Cup Atts. (AL-06)

Supplied Separately
(Page 10)



Rubber Pad (FDR-SR)
(Supplied Separately)

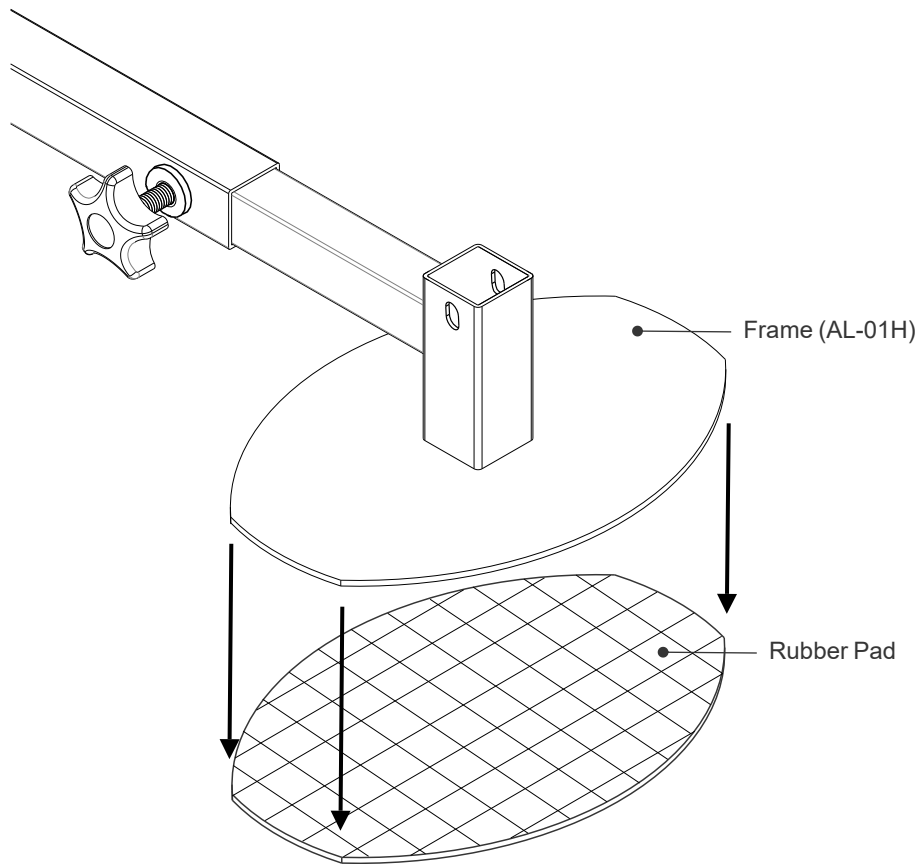
2

- An appropriate risk assessment should be carried out before installation.
- Ensure that all castors/feet/legs of the furniture will be supported.
- Ensure that the furniture is placed on a flat and stable surface.
- Ensure that the raised furniture is stable before use.
- Do not attempt to move the furniture once raised as these raisers may become dislodged.
- This raiser is for indoor use only.
- Check tightness of hand wheels and fixings periodically.
- Clean with a damp cloth. Use non-abrasive detergent and dry thoroughly.
- Slip resistant rubber pads are available for laminate floors. Product Code: FDR-SR

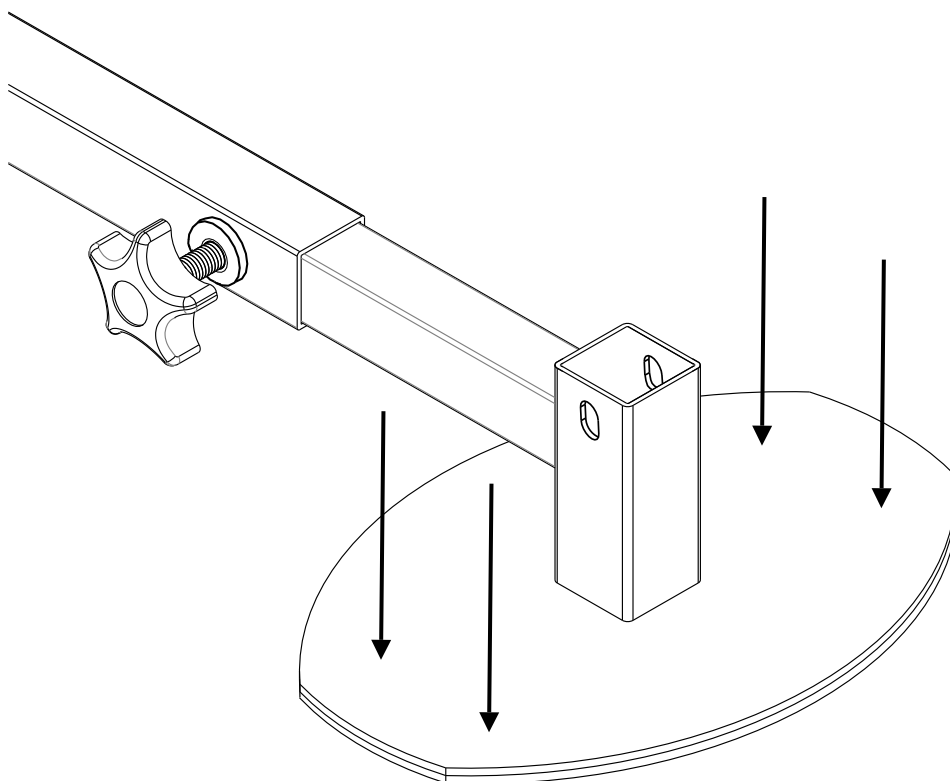
Self Adhesive Rubber Pads (Mark 2 Raiser Only) - Optional

1 The optional self adhesive pads supplied are for use on laminate floors or any other surface requiring additional grip or protection. The pads should only be used for the purpose they are intended for, which is to provide extra grip/protection for certain floor surfaces.

Remove the backing paper from the rubber pad and place the pad on to a smooth flat surface, adhesive side up. Ensure that the underside of the frame is clean and free from grease/foreign matter. Position the raiser above the rubber pad and proceed to lightly place the frame on to the rubber pad, being careful to make sure that the frame stays aligned with the pad.



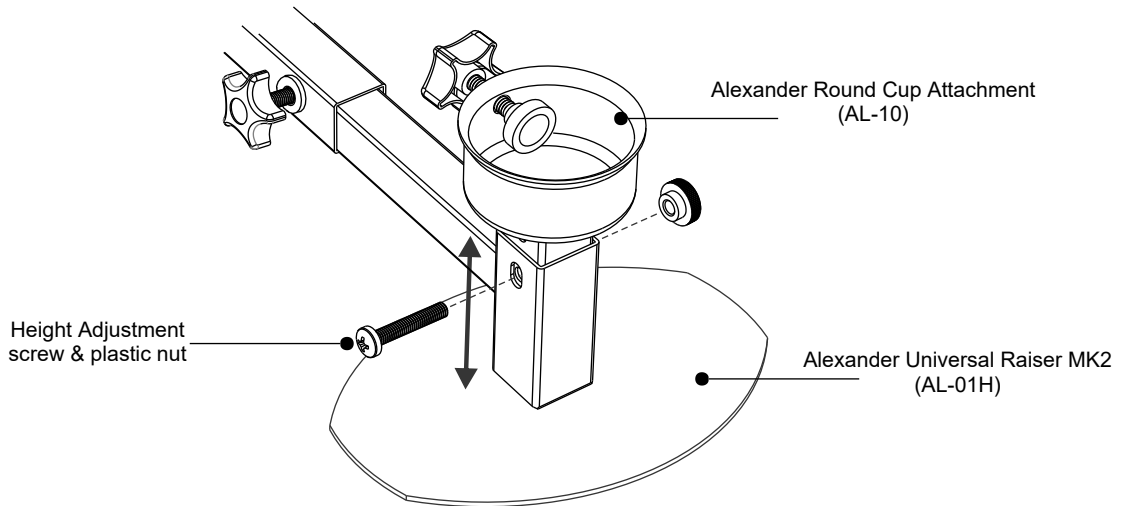
2 Check to make sure the pad is lined up correctly (remove and repeat step 1 if not) then proceed to push down on the raiser to produce a good bond with the rubber pad. Once satisfied that the rubber pad is firmly attached to the frame, the raiser is then ready to be fitted with an attachment - see pages 4 - 10.



Alexander Round Cup Attachment Instructions (AL-10)

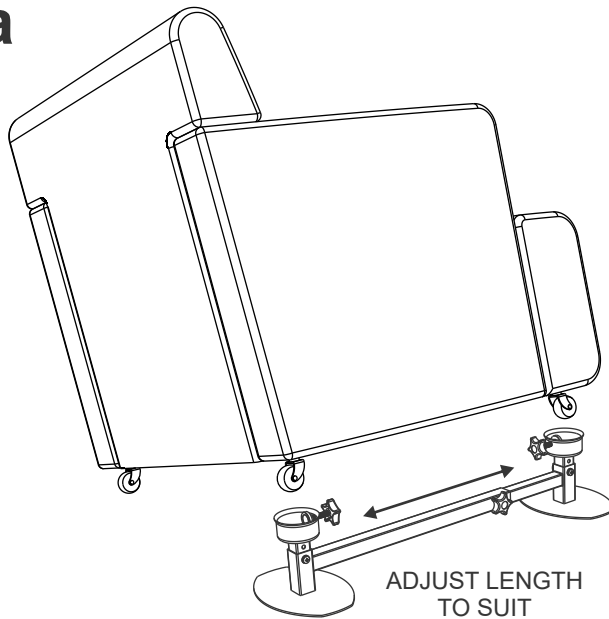
1 The round cup attachment is for use on chairs, settees or beds having castors, or small legs. It can also be used to raise some Recliner Chairs or Settees, and some Riser Recliner Chairs.

Adjust the raiser height before fitting. Secure height adjustment using screw & plastic nut.

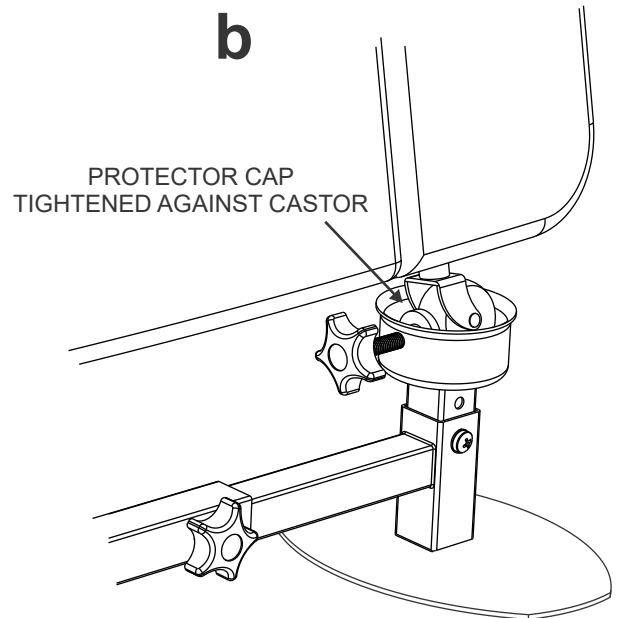


2 If furniture has castors, ensure that the castor is positioned as shown in fig 2a and the protector cap is fitted before tightening the hand wheel (fig 2b). For legged furniture, ensure that the protector cap is fitted before tightening the hand wheel.

a

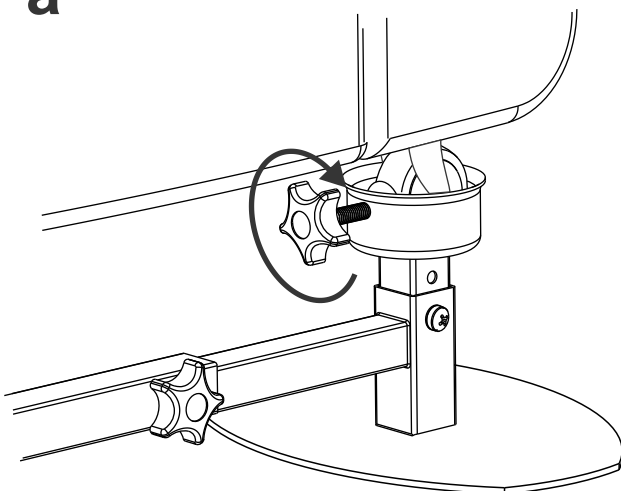


b

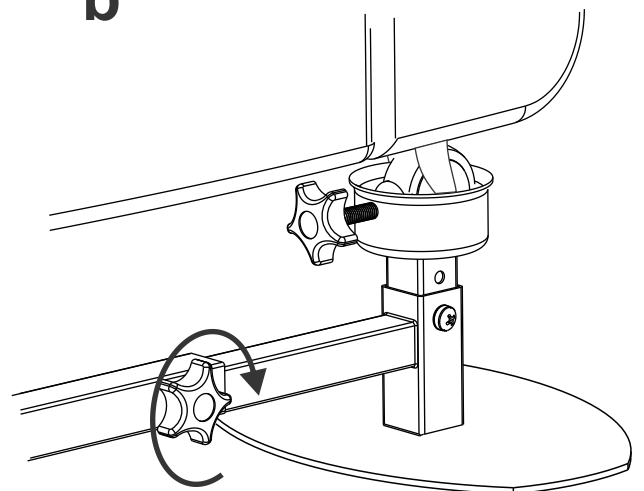


3 Tighten the cups hand wheel to clamp castors/legs in place (fig 3a). Tighten short hand wheel on side of raisers to lock the raiser's length (fig 3b). Repeat steps 1 - 3 for the other side. Finally, ensure the furniture is stable before use.

a



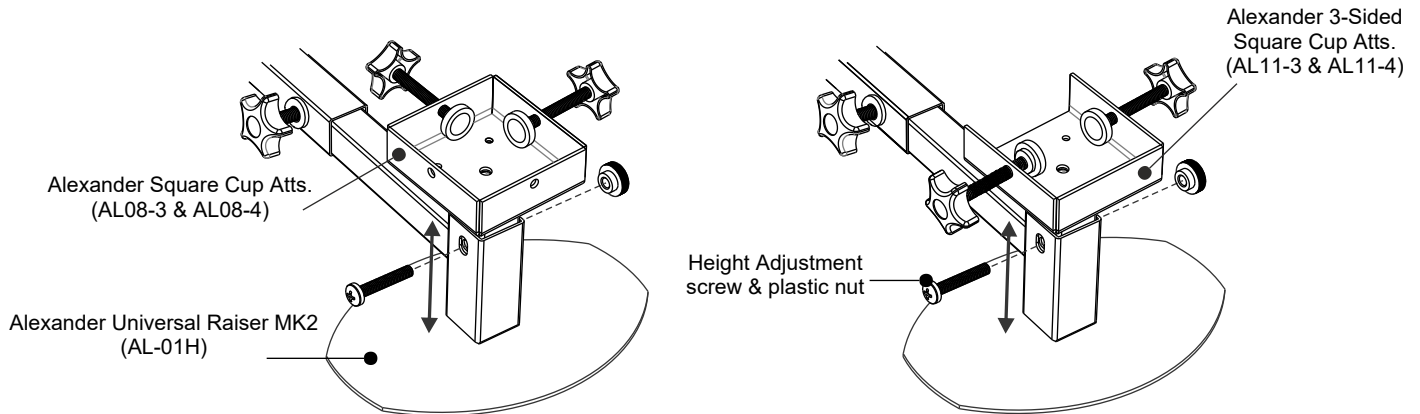
b



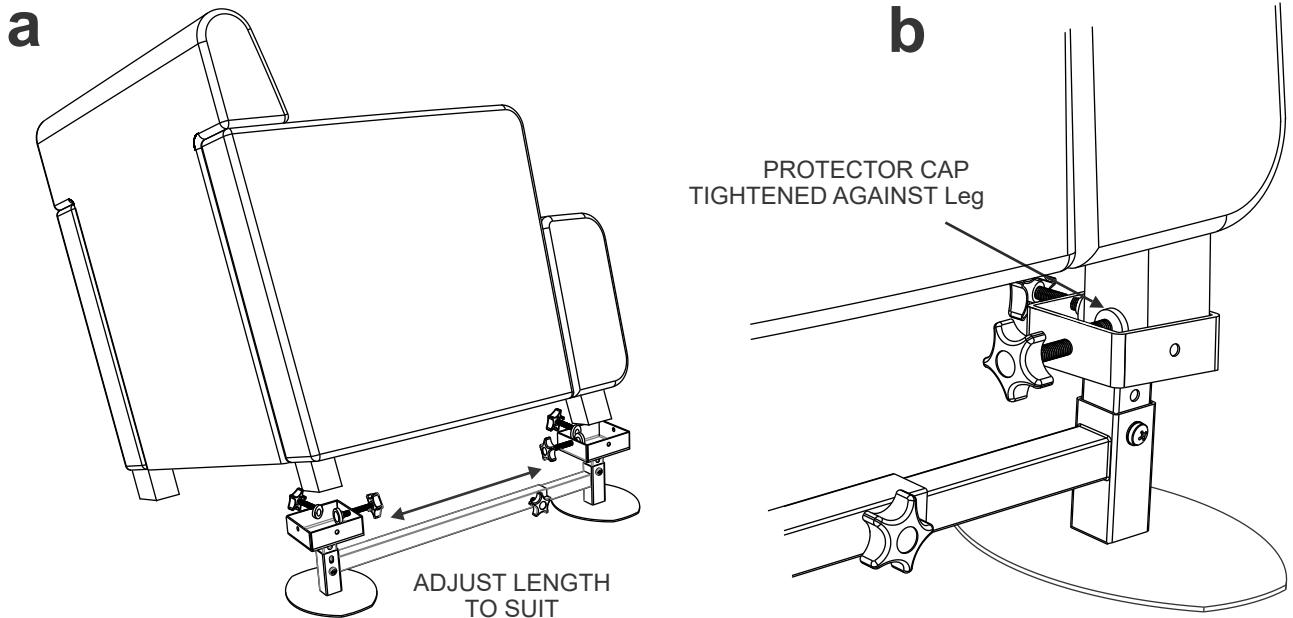
Square Cup Atts. Instructions (AL08-3 & 4) & (AL11-3 & 4)

1 Two sizes of square cup are available: 9cm (AL08-3) & 11.5cm (AL08-4). The square cups are intended for use on chairs, settees or beds having legs up to 7.5cm & 10cm square/round respectively. It can also be used to raise some Recliner Chairs or Settees, and some Riser Recliner Chairs.

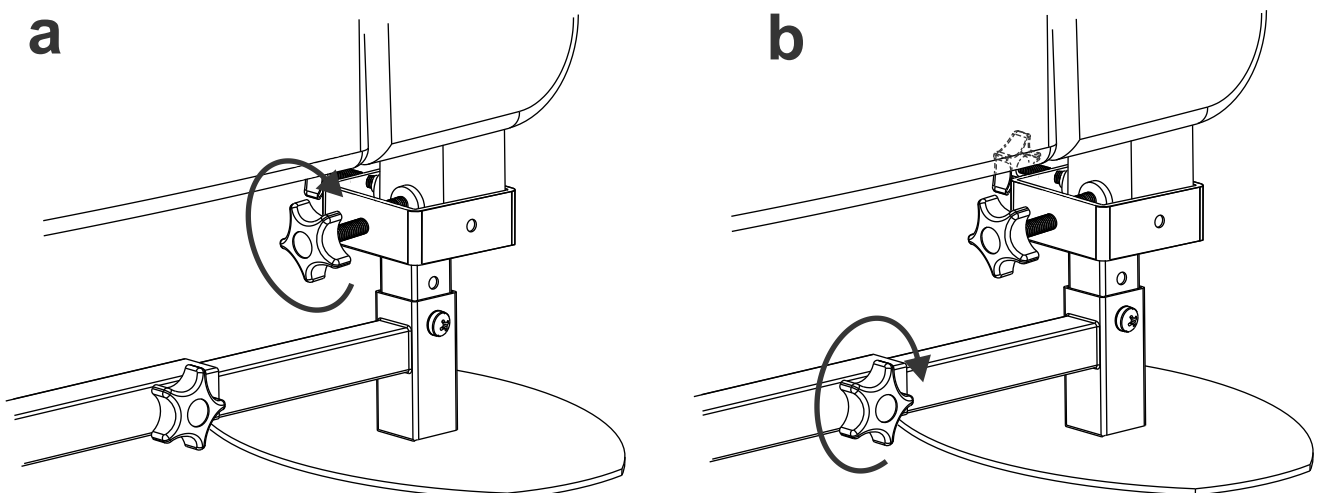
The 3-sided square cup is designed to give greater clearance for inclined or sweeping legs and for beds that have solid head/foot boards. The 4 and 3-sided square cups fit in the same manner.



2 Fit one raiser at a time. If the furniture has inverted pyramid shaped feet which are too steep to effectively clamp to, secure the leg using wood screws (not supplied) through the holes located in the base of the square cup (fig 1). Do not screw into plastic legs.



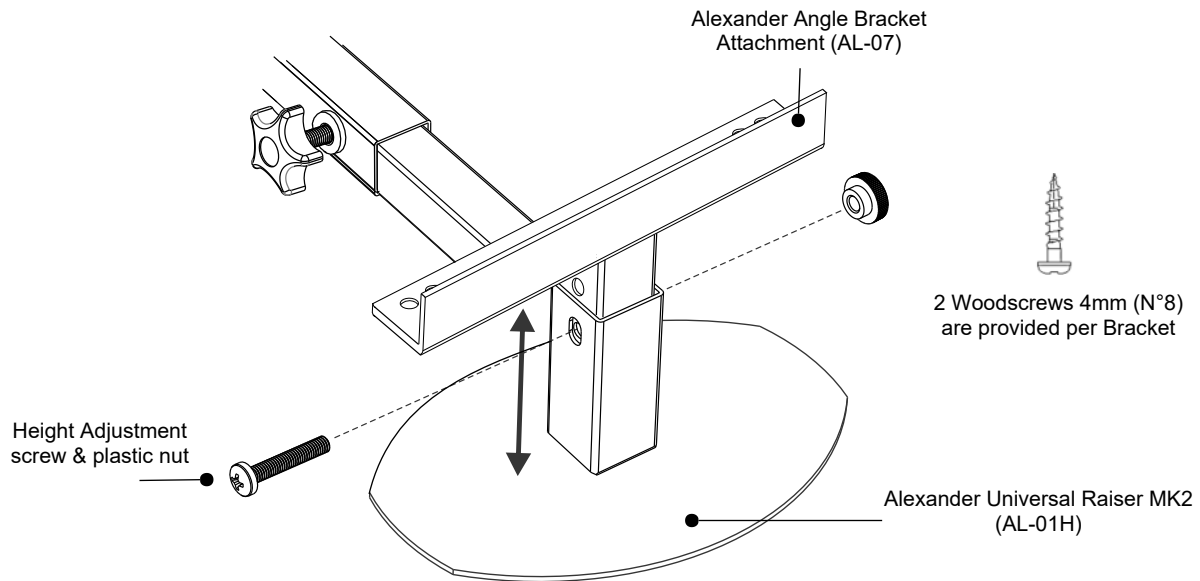
3 Tighten all cup hand wheels to clamp the legs in place (fig 3a). Tighten short hand wheel on side of raisers to lock the raiser's length (fig 3b). Finally, ensure the furniture is stable before use.



Alexander Angle Bracket Attachment Instructions (AL-07)

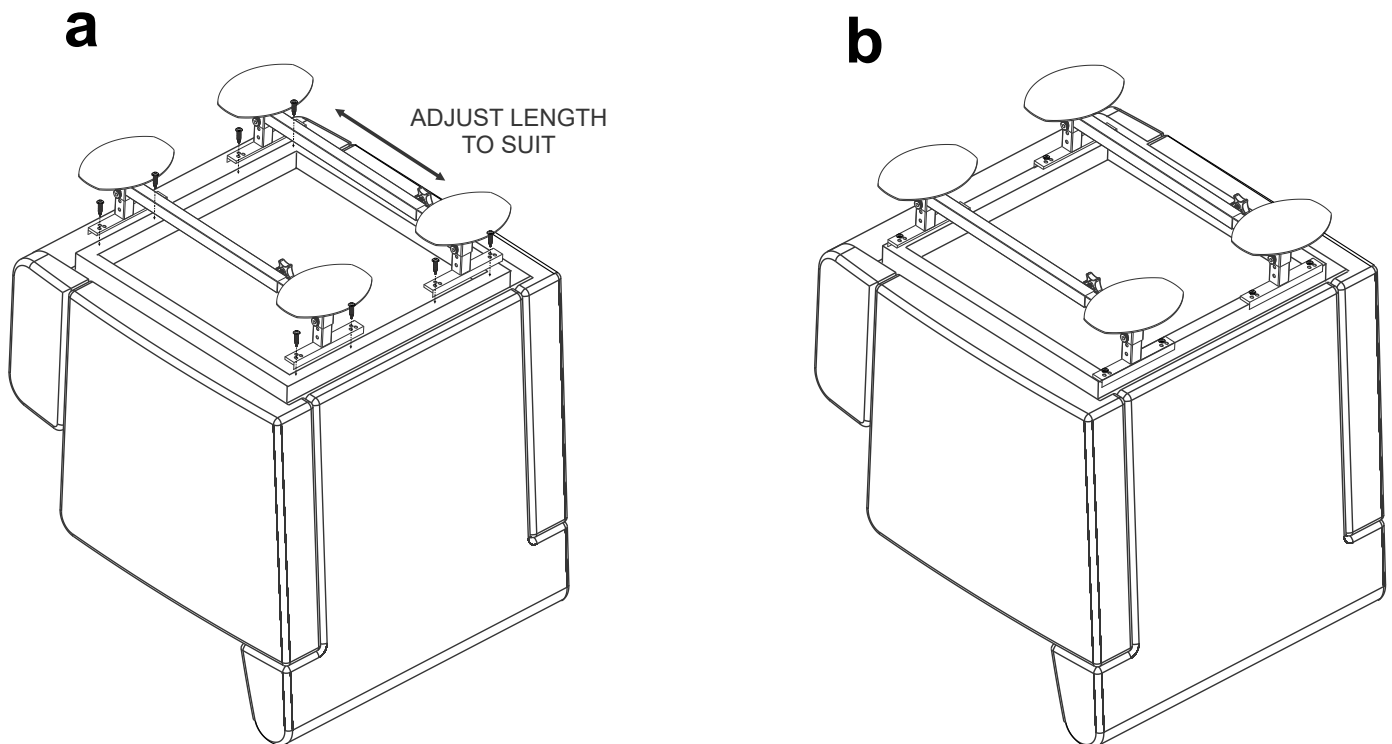
1 The angle bracket attachment should be used when a chair, settee or bed has no legs or castors, but has a wooden frame in contact with the floor.

Adjust raiser height to highest setting before fitting (to allow access for screws). Secure height adjustment using screw & plastic nut.



2 Fit one raiser at a time. Position the chair/settee upside down. This is best achieved by slowly tipping it forward until it comes to rest with its underside facing upwards (fig 2a). Proceed to offer up the raiser to the chair (ensuring that when the raiser is fitted the widest foot print on the floor should be achieved).

Then by first using a bradawl (not included) to prepare the hole, screw into the chair using the 4mm (N°8) woodscrews provided (fig 2b). 1 screw on each side of the attachment is required.

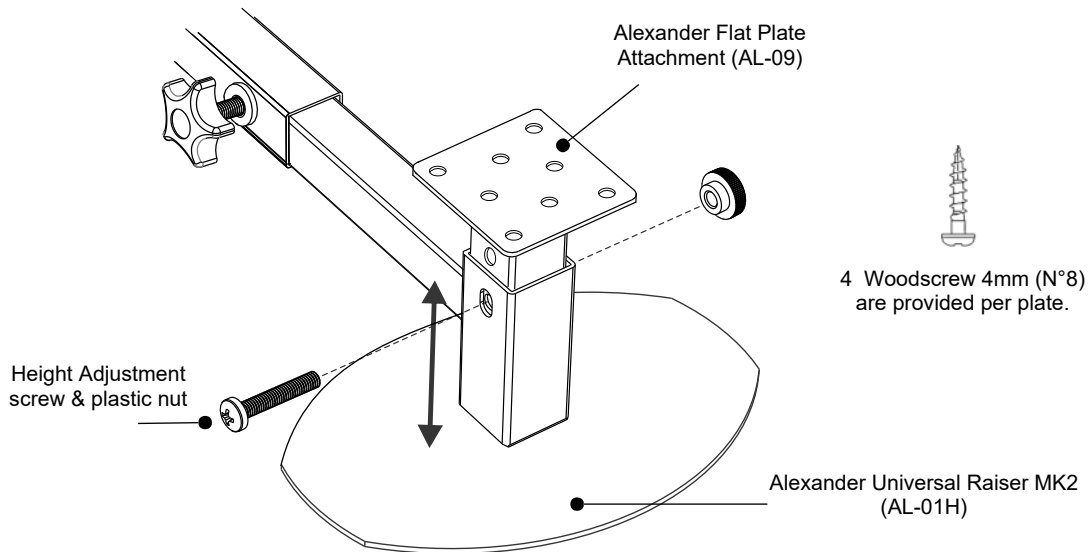


Tighten short hand wheels on side of raisers to lock the raiser's length. Turn the chair the right way up and ensure the furniture is stable before use.

Alexander Flat Plate Attachment Instructions (AL-09)

1 The flat plate attachment should be used when a chair, settee or bed has large or modern style wooden legs or feet (square, round, L-shaped, Inverted Pyramid, rectangular etc.). It can also be used to raise some Recliner Chairs or Settees, and some Riser Recliner Chairs.

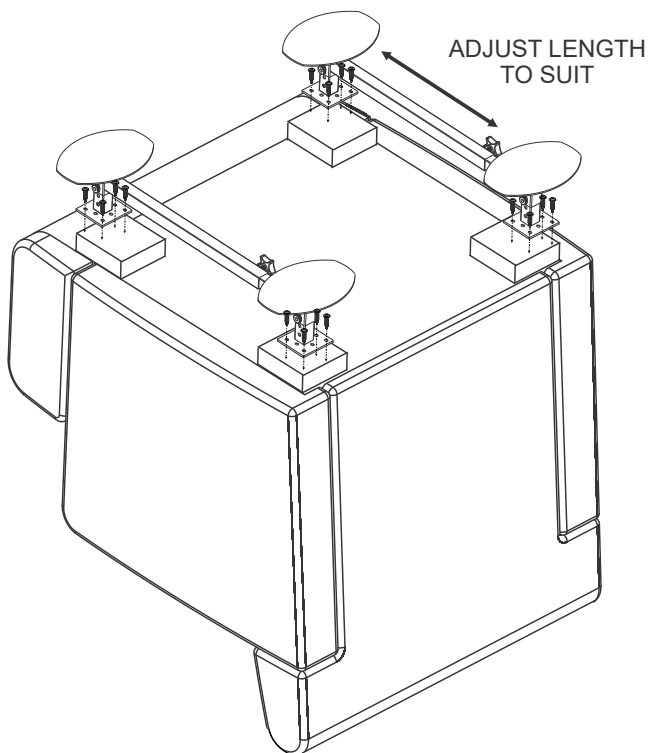
Adjust raiser height to highest setting before fitting (to allow access for screws). Secure height adjustment using screw & plastic nut.



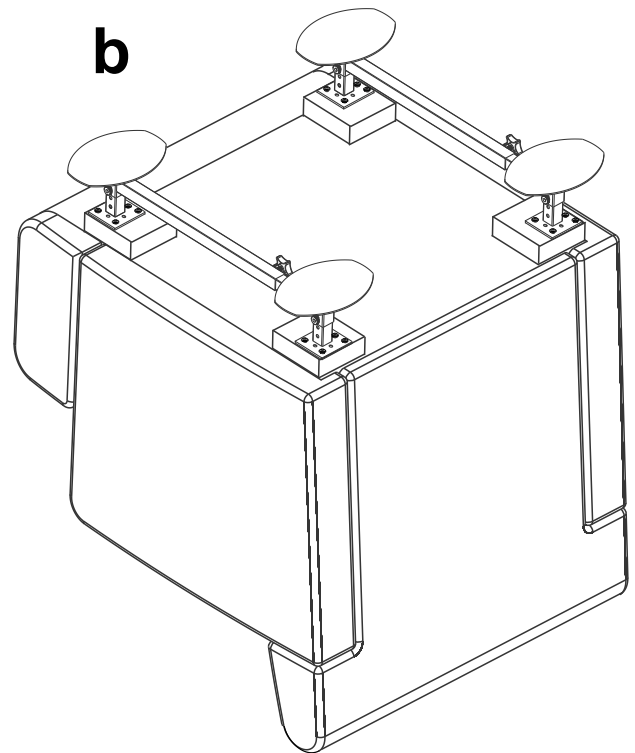
2 Fit one raiser at a time. Position the chair/settee upside down. This is best achieved by slowly tipping it forward until it comes to rest with its underside facing upwards (fig 2a). Proceed to offer up the raiser to the chair (ensuring that when the raiser is fitted the widest foot print on the floor should be achieved).

Then by first using a bradawl (not included) to prepare the hole, screw into the chair legs using the 4mm (N°8) woodscrews provided (fig 2b). 4 screws per plate are required.

a



b



Tighten short hand wheels on side of raisers to lock the raiser's length. Turn the chair the right way up ensuring the furniture is stable before use.

Alexander Recliner & Riser Recliner Instructions

Pages 8,9 & 10 (AL-12)

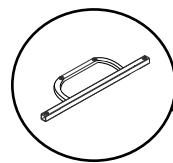
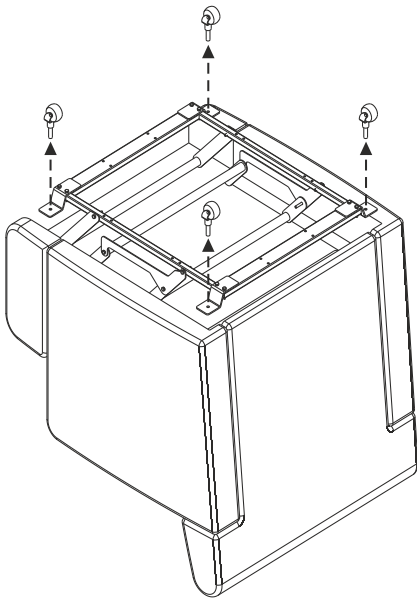
Important!!

This Chair Raiser will not fit every Recliner and Riser Recliner Chair. It is very important to establish if this raiser will fit your chair, failure to do so could result in damage to your chair.

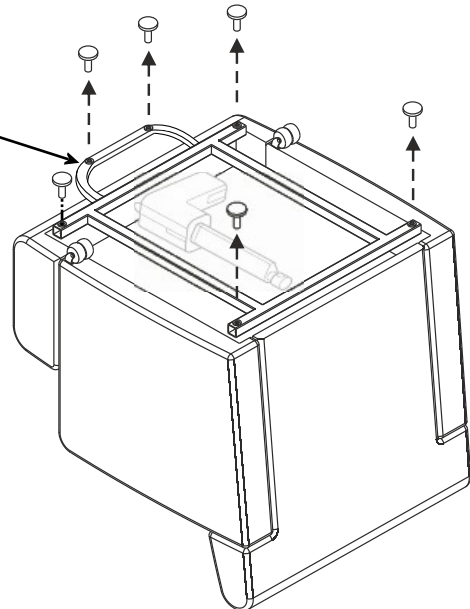
If in any doubt contact:

Morris & Alexander on 01328-855669 or e-mail info@morrisandalexander.com

IDENTIFY IF YOUR CHAIR CAN BE RAISED



Anti-tip bar fitted to front or rear.



CAN BE RAISED

Recliners or Riser Recliners that:-

- Has no anti-tip bar.
- Have only 4 feet or 4 castors.
- Do not have feet/castors that are visible under the arms of the chair when elevated (Riser Recliners only).

CANNOT BE RAISED

Recliners or Riser Recliners that:-

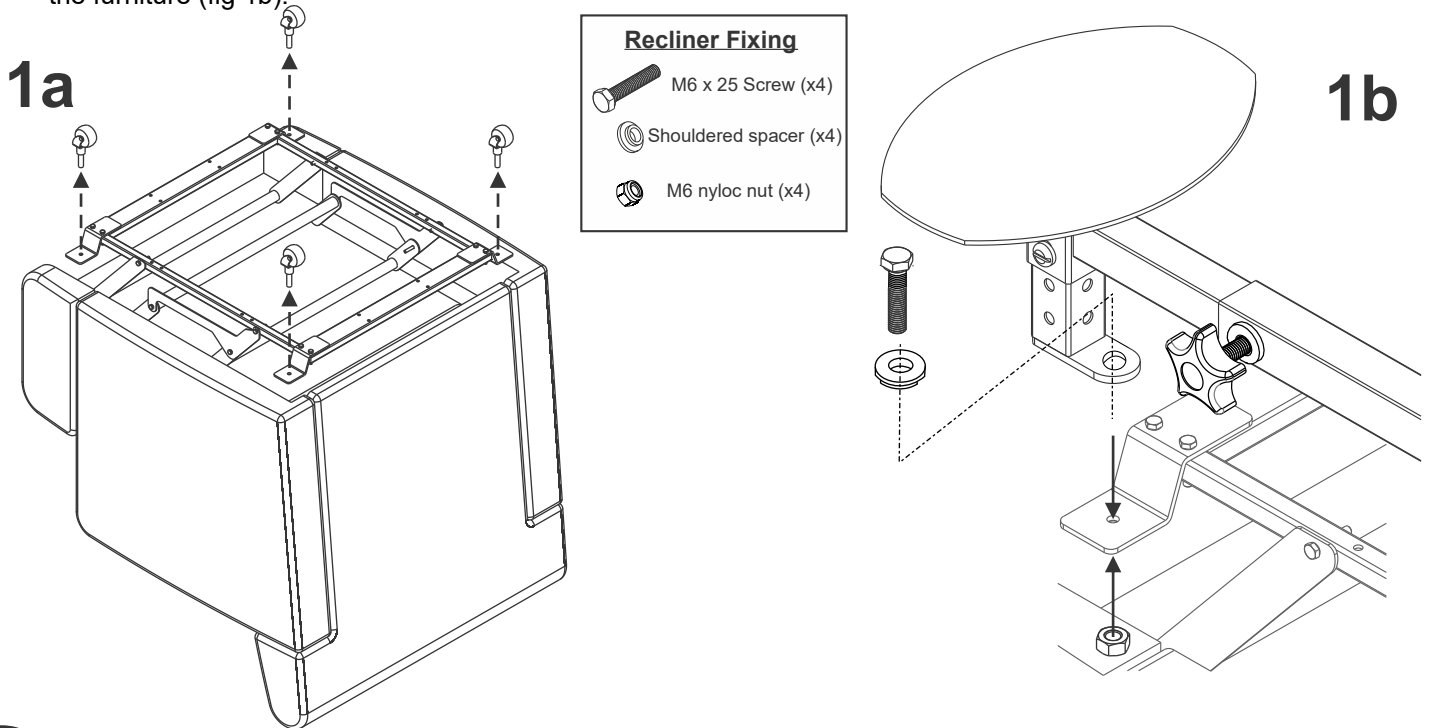
- Have an anti-tip bar.
- Have more than 4 feet or 4 castors combined.
- Have feet/castors not in contact with the floor in its elevated condition - (Riser Recliners only).

For Electric or Manually Operated Recliner Chairs & Recliner Settees (AL-12)

1

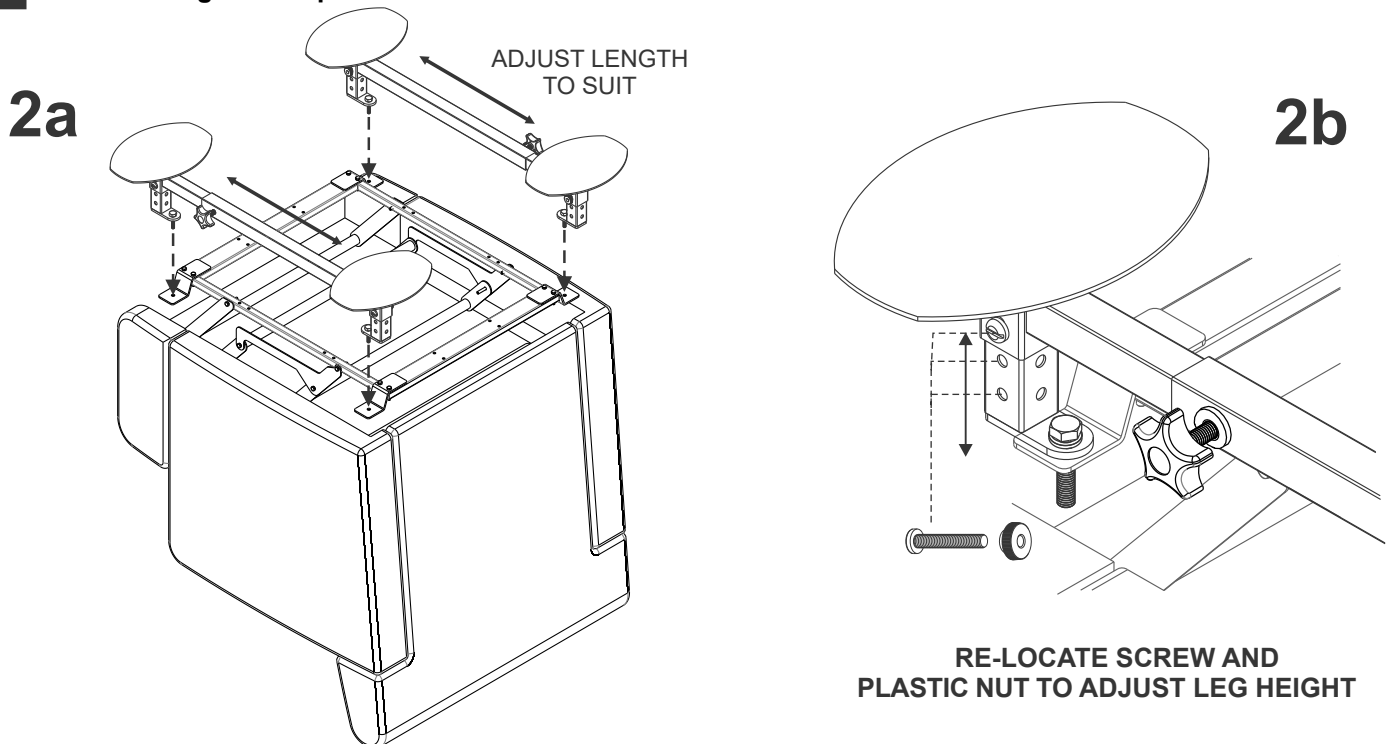
The recliner attachment is designed to be used in conjunction with the AL-01H base frame. Position the chair/settee upside down. This is best achieved by slowly tipping it forward until it comes to rest with its underside facing upwards.

Remove castors or feet as shown below (fig 1a). Insert M6x25mm screw with shouldered spacer into the Riser & Recliner Attachment. Offer up the raiser to the chair/settee and enter the M6 screw into the castor fixing holes of the furniture (fig 1b).



2

Secure the raiser using the supplied M6 nyloc nuts in all four positions (fig 2a). Adjust the legs to the required height and secure using height adjustment screw and plastic nut (fig 2b). Tighten the hand wheels to fix the raisers length. The attachment can be rotated 90° if necessary to facilitate fitting. **Always position the attachment so that the largest foot print on the floor is achieved.**



Carefully place chair upright by reversing the procedure in '1'. The raiser is now fitted and ready for use.

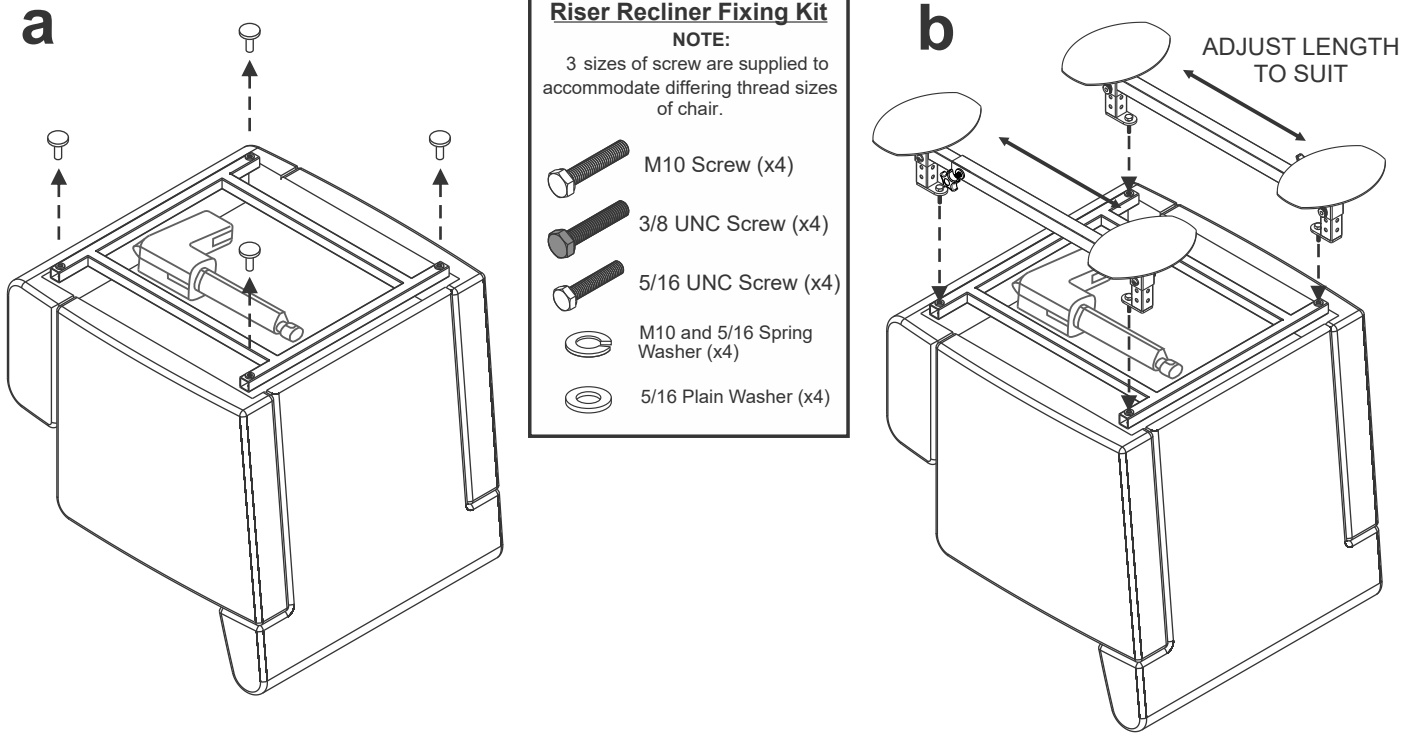
Notes:

1. Check the raised chair for stability before use.
2. Images of furniture in these instructions are figurative and simplified for clarity. The design of your recliner chair may differ from these images. If in any doubt over the fixing of this raiser to your recliner chair or settee, please contact Morris & Alexander Ltd. 01328 855699

For Single or Dual-Motor Operated Riser Recliner Chairs (AL-12)

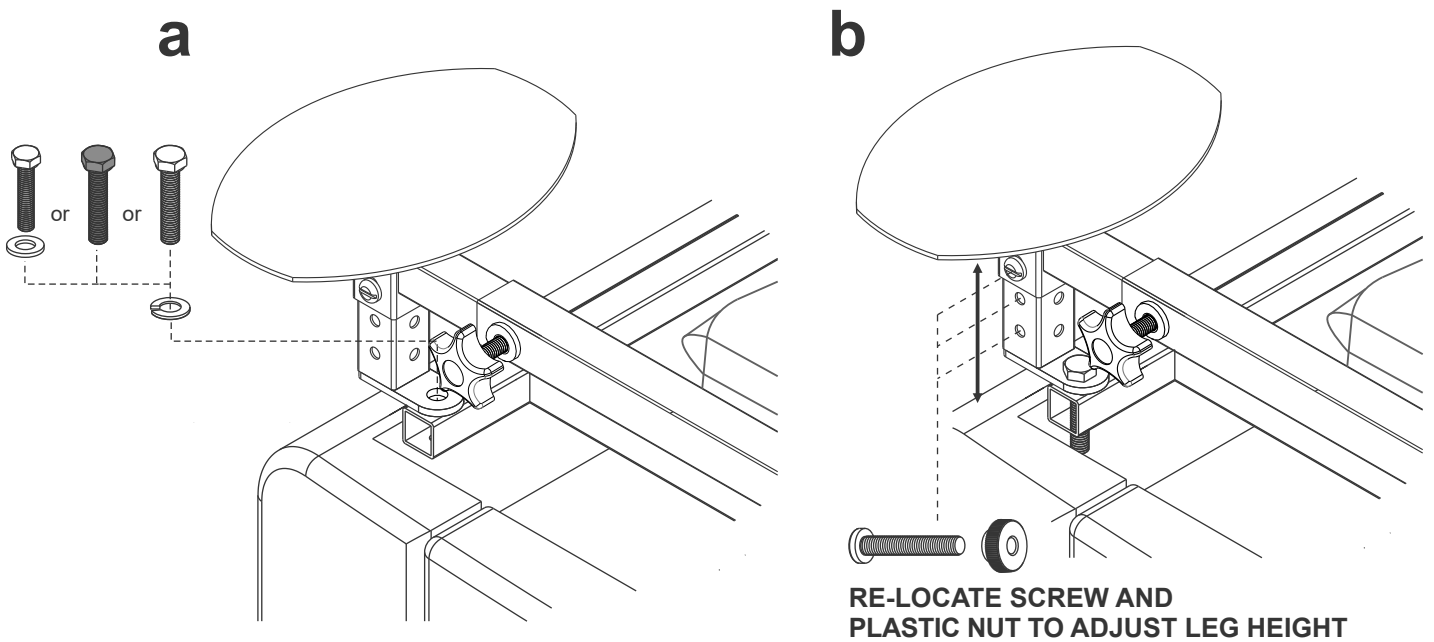
1 The recliner attachment is designed to be used in conjunction with the AL-01H base frame. Position the chair upside down. This is best achieved by slowly tipping it forward until it comes to rest with its underside facing upwards.

Remove feet or levellers as shown below (fig 1a). If the levellers or feet are attached with nuts then retain these nuts for use in stage 2. Offer up the raiser to the chair and align the fixing holes in the raiser with the fixing holes of the chair.



2 For chairs with threaded fixing points, secure the raiser legs to the chair using the appropriate screws in all four positions (fig 2a). For chairs with through-hole fixing points use the previously removed nuts to secure the screws. Adjust leg to desired height and secure using height adjustment screw and plastic nut (fig 2b). Tighten the hand wheels to fix the raisers length. The attachment can be rotated 90° if necessary to facilitate fitting.

Always position the attachment so that the largest foot print on the floor is achieved.



Carefully place chair upright by reversing the procedure in '1'. The raiser is now fitted and ready for use.

Notes:

1. Check the raised chair for stability before use.
2. Images of furniture in these instructions are figurative and simplified for clarity. The design of your riser chair may differ from these images. If in any doubt over the fixing of this raiser to your Riser Recliner chair, please contact Morris & Alexander Ltd. 01328 855699

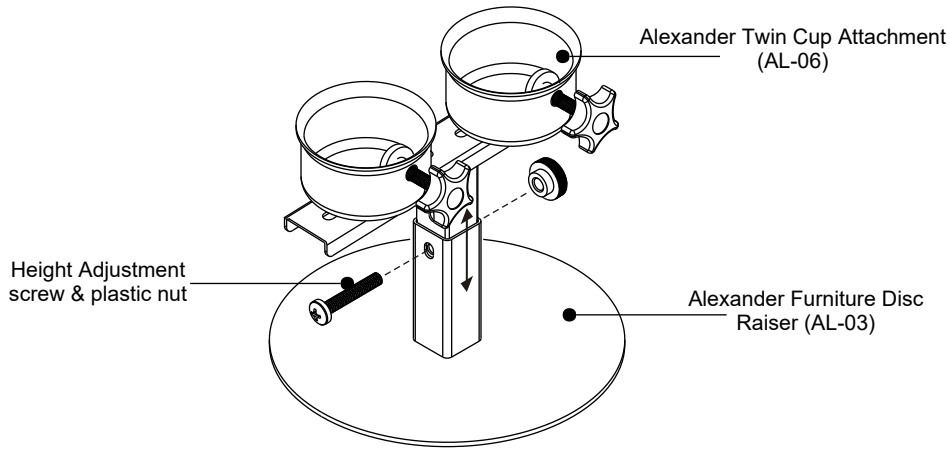
Alexander Twin Cup Attachment Instructions (AL-06)

1

The twin cup attachment is for use on the middle section of double divan beds having castors or small legs.

The twin cup attachment is suitable for all Alexander Base Frames (AL-01, AL-01H, AL-03, AL-04) but is best fitted in conjunction with the Alexander Furniture Disc Raiser. Adjust the raiser height before fitting. Secure height adjustment using screw & plastic nut.

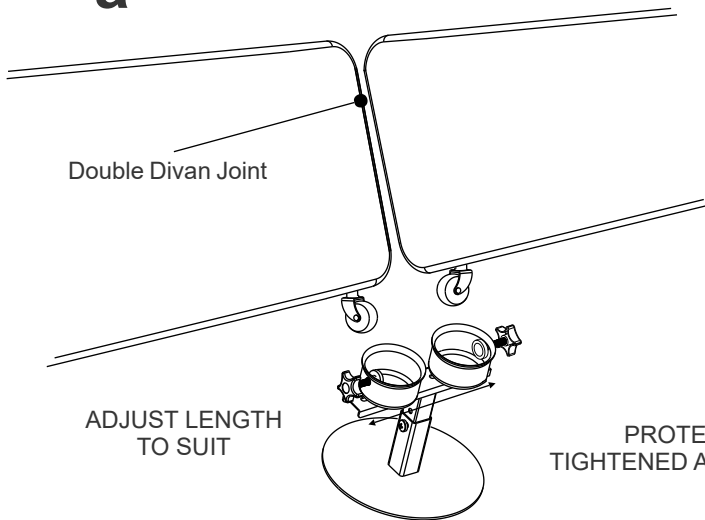
Prior to installation, the bed should be emptied (mattress, draws etc.) so that the bed can be easily lifted.



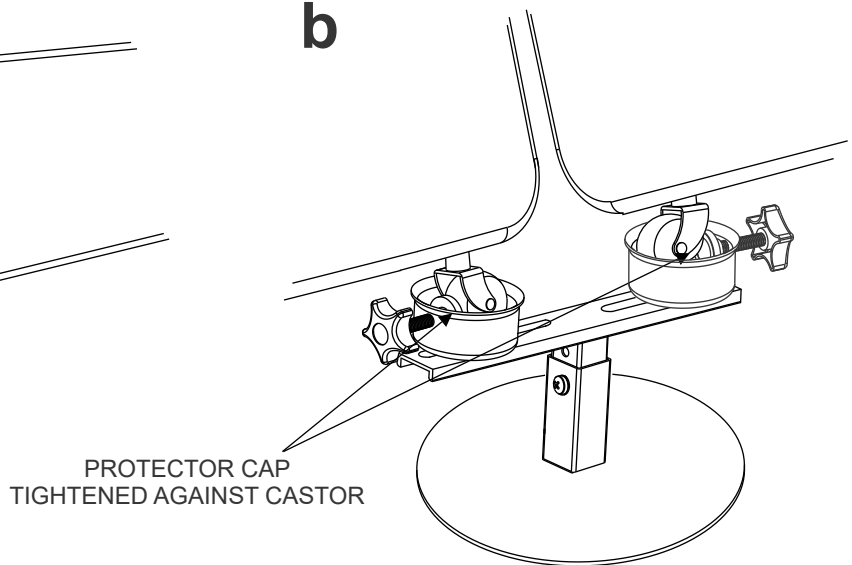
2

Adjust the position of the cups with the wing-nuts provided. If furniture has castors, ensure that the castor is positioned as shown in fig 2a and the protector cap is fitted before tightening the hand wheel (fig 2b). For legged furniture, ensure that the protector cap is fitted before tightening the hand wheel. Please note that the positioning of the hand wheels is for illustration purposes only and should be fitted so they present a minimal trip hazard.

a

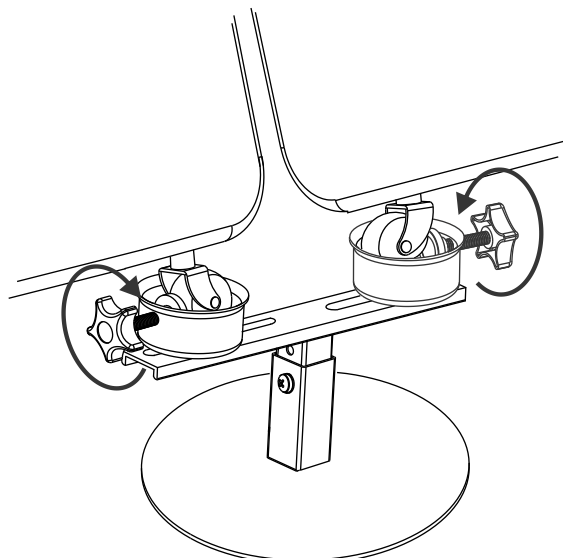


b



3

Tighten hand wheels to clamp castors/legs in place (fig 3a). Finally, ensure the furniture is stable before use.



Notes: