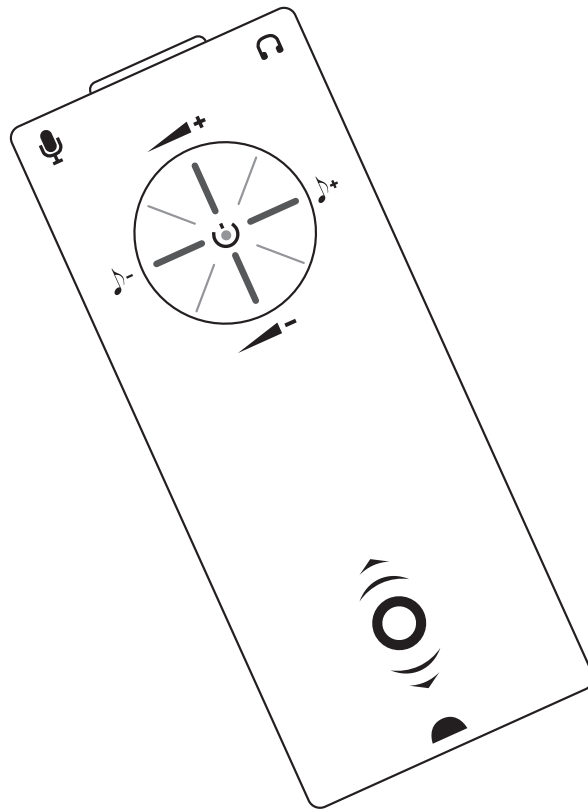


listen^{or} Pro

Large text versions of the User's Manual can be provided by your local dealer or downloaded from the internet at www.conversorproducts.com



User's Manual

convers^{or}
The Clarity of Sound

Table of Contents

Welcome!	3
Listener Pro overview	4
Safety Information	5
Getting started	6
Everyday use	7
Using with earphones or headphones	8
Using with an inductive loop	9
Attaching the belt clip	10
Sockets and connections	10
Using the neck lanyard/strap	13
Care instructions	14
Repair and service centres	15
Troubleshooting	15
Manufacturer's warranty	16
Statements of compliance and conformity	18

Welcome!

Thank you for your purchase of *Listener Pro*, a versatile high quality Assistive Listening Device which enhances the clarity of sound in a variety of everyday situations made by Conversor Limited.

Listener Pro is not sold, advertised, or intended for use as a personal hearing aid. Conversor recommends that any individual experiencing hearing loss be examined by a physician to determine the cause before using amplification.

Listener Pro includes the following:

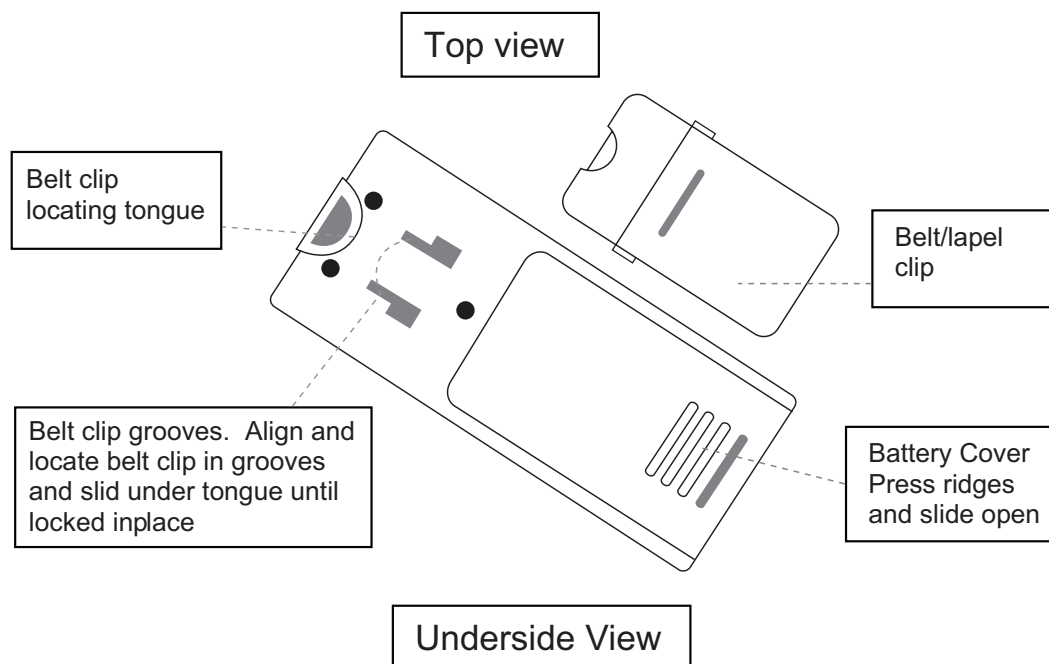
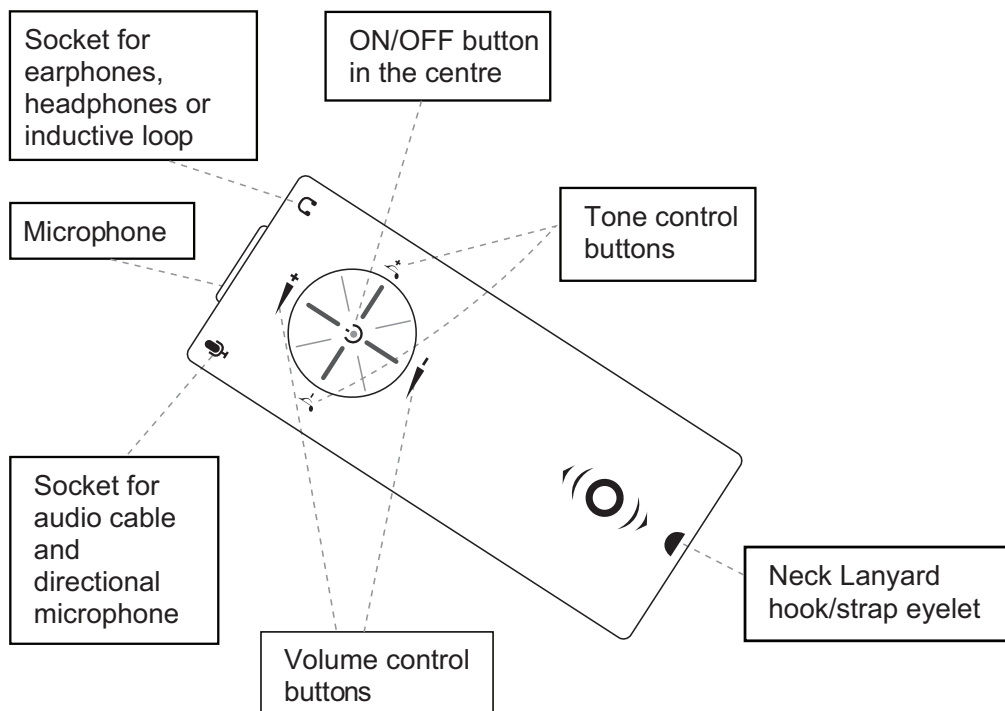
- *Listener Pro*
- 2 AAA Batteries
- Detachable Belt Clip
- Neck Lanyard/Strap
- Earphones or headphones

Optional accessories not included (with order code)

- PROV1LTK - Telephone Connector
- CON01MM1 - Directional microphone
- PROV1LAU - Audio Jack Cable
- PROV1LTV - TV Cable
- SUB01IND - Inductive Neck Loop
- CON01HDP – Headphones
- CON01EAR – Earphones
- PROV1CPR – Conversor Pro Recorder

To order any of the optional accessories locate your local dealer on the Conversor website **www.conversorproducts.com**, purchase from the Conversor website shop, or contact Conversor at info@conversorproducts.com using the order codes above.

Listener Pro overview



Safety information

CAUTION! Hearing Safety

This product is designed to amplify sounds to a high volume level which could potentially cause hearing damage if used improperly. To protect your hearing and the hearing of others:

- Make sure the volume is turned down before putting on the earphone or headphone before adjusting the volume to a comfortable level.
- Set the volume level at the minimum setting that you need to hear.
- If you experience feedback (a squealing or howling sound), reduce the volume setting and move the microphone away from the earphone or headphone.
- Do not allow children or other unauthorised persons to have access to this product.


CAUTION! Battery Safety and Disposal

This product is supplied with non-rechargeable Alkaline batteries. Do not attempt to recharge single-use batteries, which may explode, release dangerous chemicals, cause burns, or other serious harm to the user or product.

CAUTION! Pacemaker Safety

- Before using this product with a pacemaker or other medical device, consult your physician or the manufacturer of your pacemaker or other medical device.
- If you have a pacemaker or other medical device, make sure that you are using this product in accordance with safety guidelines established by your physician or the pacemaker manufacturer.

Getting started

1. *Listener Pro* uses two AAA disposable batteries.
2. Open the battery compartment using your thumb to apply pressure to the ribs on the battery door and slide it down and away from the *Listener Pro*.
3. Insert two disposable AAA batteries into the battery compartment being careful to place them with the correct orientation of positive(+) and negative(-) terminals. *Listener Pro* will switch on as soon as the batteries are installed. If you do not wish to use it straight away, turn off *Listener Pro* by holding down the middle of the control button FIRMLY for about two seconds until the lights on the raised portion of the button start to flash in a circular motion.
4. Close the battery compartment door by aligning it on the back of the unit and slide it upwards until it snaps into place.
5. Insert the belt clip on the rear of the *Listener Pro* as directed below.
6. Plug the earphones or headphones into the socket marked with the headphone icon.  *Listener Pro* can be used with optional Inductive Neck Loop, headphones or earphones.
7. Switch on *Listener Pro* by holding down the middle of the control button FIRMLY for about two seconds until the lights on the raised portion of the button start to flash in a circular motion. The light in the centre of the control button will then flash green indicating that *Listener Pro* is on. When the battery is low it will flash red.

8. Adjust the volume up or down by pressing the raised part of the control button at the top-for volume up-or at the bottom-for volume down. The light will move from the bottom of the control button to the top as the volume is increased. There are 16 volume positions. A single beep sound is heard when you change the volume setting. A double beep is heard when the highest or lowest volume setting is reached.
9. Adjust the tone by pressing the raised part of the control button on the right to increase the high frequency gain, and on the left to increase the low frequency response. The light will move from the left of the control button to the right as the frequency gain is increased. The high and low settings are indicated by a double beep sound.
10. To switch off Listener Pro hold down the middle of the control button FIRMLY for about two seconds until the lights on the raised portion of the button start to flash in a circular motion.

Everyday use

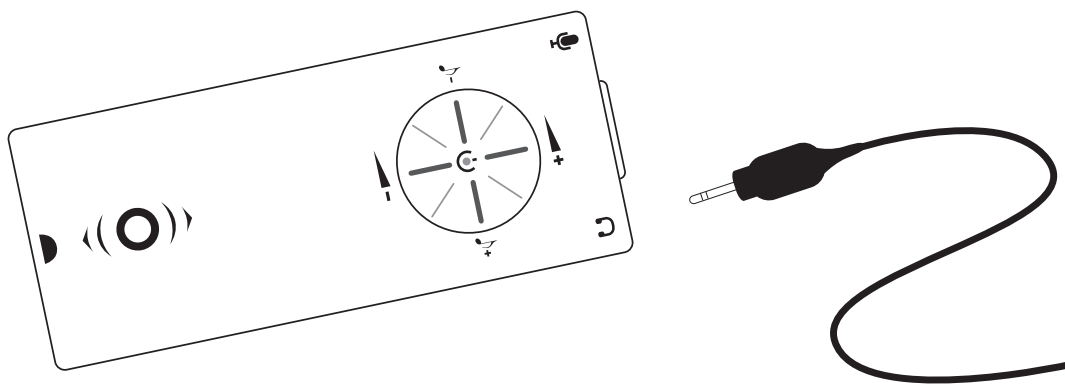
Listener Pro is designed to pick up the sound of a speaker's voice and amplify that sound for the benefit of the user. Place *Listener Pro* as close to the sound source as possible, with the microphone pointing in the direction of the speaker or sound source.

You can place the Listenor Pro on the table in a restaurant, group situation or meeting. Placing on the table with the belt clip attached will also raise the microphone to point at the speaker or speakers.

When out walking the Listenor Pro can be worn using the belt clip, which can also be used as a lapel or pocket clip, or attached to a skirt.

You can also connect to a number of different audio sources using the optional accessories-see Pages 10 to 13.

Using with earphones and headphones



Listenor Pro is provided with earphones. Headphones can be purchased instead of earphones. Plug the earphones or headphones into the socket marked with the headphone icon.

Using with an inductive neckloop

If you have a hearing instrument with a telecoil mode or a “T” setting you can use an inductive loop to connect wirelessly to *Listener Pro*. Please follow the instructions below for connection:

(a) Setting up the hearing instrument(s)

Switch your hearing Instrument to telecoil mode or the “T” programme but do not adjust its volume control. With *Listener Pro* switched on point it towards the sound you wish to listen to. As you turn up the volume control on *Listener Pro*, you should begin to hear the sound you want to hear clearly. *Listener Pro* has now taken over from your hearing instrument microphone. This is a bit like having the hearing Instrument microphone in your hand.

(b) Checking the Sound Balance

It is important to match the volume levels of your hearing instrument with *Listener Pro*, so that you can switch between the two without any increase or decrease in sound level.

(c) External interference

When the hearing instrument is set to the “T” programme, a buzz may be heard if the hearing instrument is close to strip lighting, computers or TV Screens. Consult your audiologist for advice on adjusting or replacing the telecoil for optimum use to minimise the external interference. If you do not *Listener Pro* will only serve to amplify this interference.

(d) Adjusting the volume level for use with an inductive neckloop *Listener Pro* can be programmed to provide a higher volume level sometimes required for using with an inductive neckloop. Where *Listener Pro* has been supplied with an inductive neckloop this will have been done by your local dealer or distributor. If you are in any doubt please contact your local dealer or distributor.

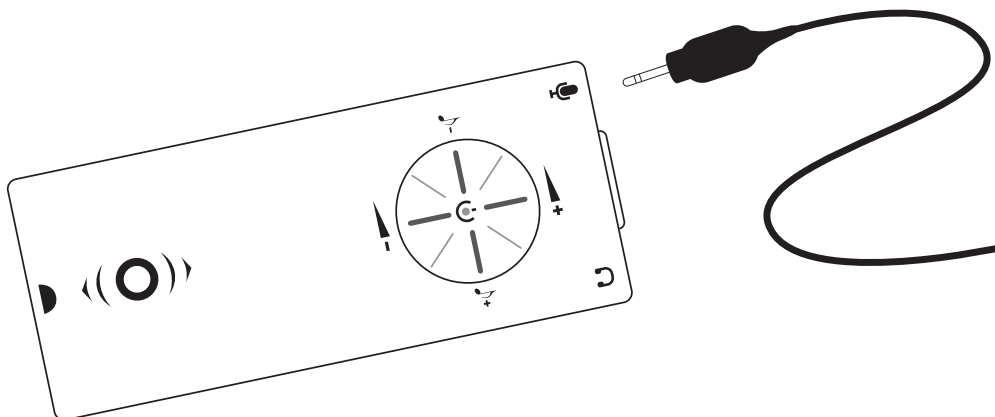
Attaching the belt clip

The belt clip slides into the grooves on the back of *Listener Pro* and locks into place under the tongue next to the microphone. It can also be used as a lapel or pocket clip. See the diagram on page 4.

Sockets and connections



Listener Pro has a socket marked with the microphone icon which can be used with a number of connecting cables and devices available as accessories.



1. **Directional microphone**

Where there is a lot of background noise, *Listener Pro* can be used with a directional microphone for focussing on the sound of the speaker. The directional microphone will cut out much of the interfering noise improving the quality and clarity of the listening experience. The directional microphone can be placed next to the sound source, including the TV, or attached to your partner's lapel in the car. Conversor accessory microphones are available from your local dealer. Plug the microphone into the microphone socket of *Listener Pro*, place on a smooth surface and point towards the sound source or using the lapel clip provided clip to your tie, shirt or blouse.

2. **TV cable with SCART adaptor (Europe)**

The SCART socket is a multi-pin socket found on the rear of many TVs, Satellite and Cable set-top boxes and DVD players. The TV cable has a 3.5mm jack plug at one end and one or two phono plugs at the other end. Connect the phono plugs to the SCART Adaptor and plug the jack plug into the Microphone socket on *Listener Pro*. Plug the SCART adaptor into the TV or other device. Connection through the SCART adaptor allows others to listen to the device as well. If there are insufficient SCART sockets available on your TV you can purchase a SCART multi-adaptor from most electrical stores or websites.

3. TV cable (USA/ROW)

If your device does not have a SCART socket on the rear panel, it will most likely have Phono or RCA sockets. These are small circular rings with a red or white plastic insert and they may be located on the front or rear of the device (Please refer to the device user's manual). The TV cable has a 3.5mm jack plug at one end and one or two phono plugs at the other end. Connect the phono plugs to the TV and the jack plug to *Listener Pro*. Adjust the volume on *Listener Pro* to optimise your listening experience. This cable does not disconnect the speakers, allowing others to listen at the same time and adjust the TV volume independently.

You may require a Digital Analogue Converter ("DAC") for certain TVs. These can be purchased locally from your dealer or from the internet.

4. Audio cable

Most current TV, radio, PC, iPod and other audio devices have a headphone socket. Plug *Listener Pro* audio cable into this socket to connect the audio device. The audio cable is a 1.5m(5ft) cable with a black 3.5mm stereo jack plug and a red 3.5mm mono plug. Switch on *Listener Pro* and place on a low volume setting. Insert the black plug into the TV or audio source and the red plug into *Listener Pro*. Adjust the volume on *Listener Pro* and the audio source to optimise your listening experience.

By plugging the audio cable into the headphone socket on the TV or audio device, the speaker of the audio device will be disconnected, so that other people cannot listen at the same time.

5. Telephone kit

Listener Pro can be used with the Telephone Kit accessory for connecting to landline telephones. The Telephone Kit provides a connection to the handset socket enabling you to increase the volume of the caller's voice and speak into the telephone as normal. Some cordless telephones have a jack socket which can be connected to the *Listener Pro* using the audio cable accessory. Instructions are provided with the Telephone Kit.

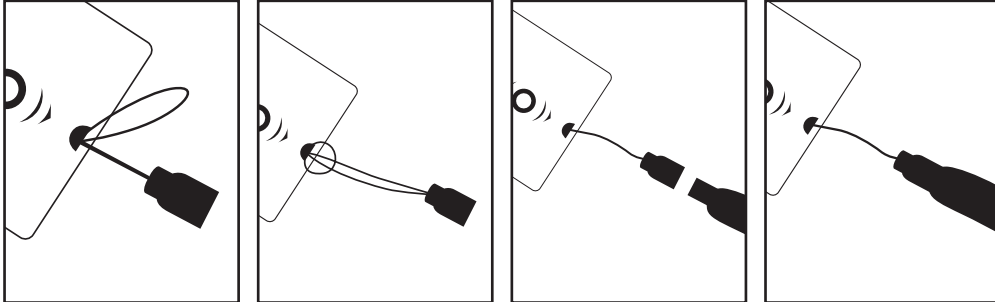
6. Conversor Pro Recorder

Conversor Pro Recorder is a downloadable App available for iPad®, iPhone® or iPod Touch® devices. It records a lectures, meetings or conversations which you can then play back and amplify using *Listener Pro*.

Using the neck lanyard/strap

The neck lanyard or strap allows you to conveniently move around with your *Listener Pro* and protects it from being accidentally dropped. It is available for quick and easy use and *Listener Pro* can be used by holding it in your hand and pointing towards the direction of the speaker or sound source, or by just wearing it around your neck. The Neck Lanyard or strap can be attached to *Listener Pro* in the same way as a mobile phone or camera lanyard/strap. Unclip the small connector at the end of the

neck lanyard/strap. Feed the cord through the eyelet at the bottom of *Listener Pro* and thread the connector through the cord and pull tight. Reconnect the neck lanyard/strap and it is ready to use. See the diagrams below.



Care instructions



- *Listener Pro* has been calibrated for optimum use.
- Do not store *Listener Pro* in extreme temperatures. This can shorten the lifetime of the batteries and affect use. High temperatures can also reduce performance.
- Do not subject *Listener Pro* to heavy shock. Do not drop it.
- Keep the *Listener Pro* away from moisture and high humidity – it is not waterproof.
- Avoid contact with water or other liquids which could damage the internal electronics.
- Try to avoid long periods of exposure to direct sunlight.
- Do not attempt to open the casing of the *Listener Pro* (other than the battery compartment to change the battery). It contains no user-serviceable parts. Opening it will invalidate the Manufacturer's Warranty. (See Page 16)

Repair and service centres

If you have any repair or service questions contact your local repair and service centre or Conversor Limited. Contact details are on our website at www.conversorproducts.com or email Conversor Limited at info@conversorproducts.com.

Troubleshooting

Listenor Pro has been designed for ease of use. However, if you do have trouble, check the following:

1. Make sure the headphones, earphones or inductive neck loop are plugged into the socket with the  icon and any accessory cable, the telephone connector, audio cable, TV cable, or directional microphone is plugged into the socket with the  icon.
2. Ensure that the batteries are not run down and have been inserted correctly into the battery compartment.
3. If the steps above do not solve the problem contact your nearest Conversor Dealer or Repair Centre.

Manufacturer's warranty

The manufacturer, Conversor Limited, issues a two-year limited warranty to the original consumer of this product. This warranty will go into effect upon the date of original purchase of this equipment, and shall remain in effect for two calendar years from that date. The batteries, earphones, headphones, cables and all other accessory products carry a 90 day limited warranty.

What is covered by this warranty?

Any electronic component which, because of workmanship, manufacturing, or design defects, fails to function properly under normal use during the life of this warranty will be replaced or repaired at no charge for parts or labour when returned to the point of purchase. Transportation costs shall be paid by the customer. If it is determined that repair is not feasible, the entire unit may be replaced with an equivalent unit upon mutual agreement of the Dealer and the customer.

What is not covered by this warranty?

This two-year limited warranty does not apply to:

- Malfunctions resulting from abuse, neglect, or accident.
- Peripheral accessories as itemized within the product brochure, when such items are returned after 90 days from the original purchase.
- Batteries which are covered by the 90 day limited warranty.
- Instruments installed, connected, used, or adjusted in a manner contrary to the instructions provided.

- Consequential damages and damages resulting from delay or loss of this unit. The exclusive remedy under this warranty is strictly limited to repair or replacement as herein provided.
- Products damaged in transit unless investigated by the shipper and returned to the warrantor with the investigation report.

The manufacturer reserves the right to make changes in the design or construction of any of its products at any time without incurring any obligation to make any changes whatsoever on units previously purchased.

This warranty is in lieu of all other expressed warranties by the manufacturer. No representative or person is authorized to represent or assume for the manufacturer any liability in connection with the sales or use of this products other than as set forth above.

If your unit requires service under the terms of this warranty, carefully package the complete product to prevent damage in transit and return it to the point of purchase. Include a detailed description of the problem, your full name, billing and shipping address, and telephone number.

The above warranty does not affect any legal rights that you might have under applicable national legislation governing the sale of consumer goods. Your point of purchase may have issued a warranty that goes beyond the clauses of this limited warranty. Please consult your point of purchase for further information.

Statements of compliance & conformity

Listenor Pro is intended to be used as an Assistive Listening Device by persons who are hard of hearing. For sale in the following countries:
European Union and all countries outside the European Union



**Conversor Limited of The Lansbury Estate
102 Lower Guildford Road Woking, Surrey GU21
2EP United Kingdom**, hereby declares that the product *Listenor Pro* Assistive Listening Device is in conformity with the relevant European Union Council Directives. The full Declaration is available from Conversor Limited at the above address.

Conversor Limited 2013

Conversor Ltd

Listenor Pro

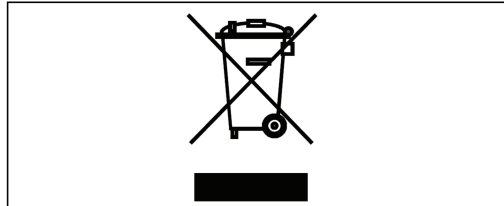


This device complies with Part 15 of the FCC Rules. Operation is subject to the following two conditions

- (i) this device may not cause harmful interference, and
- (ii) This device must accept any interference received, including interference that may cause undesired operation.

IC-Industry Canada

Operation of this device is subject to the following two conditions(1)This device may not cause interference.(2) this device must accept any interference, including interference that may cause undesired operation of the device.



***For the European Union and EEA only**

This symbol indicates that this product is not to be disposed of with your household waste, according to the WEEE Directive (2002/96/EC) and your national law. This product should be handed over to a designated collection point, e.g., on an authorized one-for-one basis when you buy a new similar product or to an authorized collection site for recycling waste electrical and electronic equipment (EEE). Improper handling of this type of waste could have a possible negative impact on the environment and human health due to potentially hazardous substances that are generally associated with EEE. At the same time, your cooperation in the correct disposal of this product will contribute to the effective usage of natural resources. For more information about where you can drop off your waste equipment for recycling, please contact your local city office, waste authority, approved WEEE scheme or your household waste disposal service. (EEA: Norway, Iceland and Liechtenstein)

Contact Details:

Made in the UK for Conversor Limited
info@conversorproducts.com
www.conversorproducts.com