

This is the way your new
rollator works



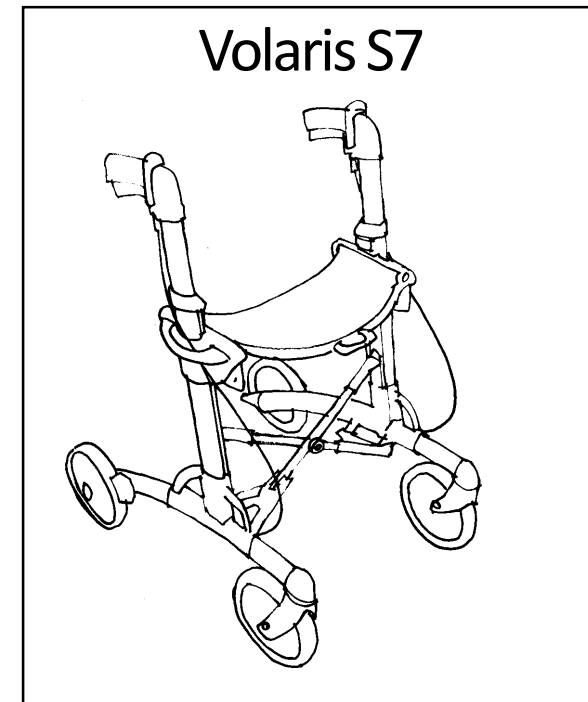
Volaris Sweden AB

Brostigen 4, SE-334 33 Anderstorp, Sweden

Telephone +46 371-189 90 Fax +46 371-189 82

E-mail: info@volaris.se Internet: www.volaris.se

Art. No. # 81 104 02-02 080401



VOLARIS
SWEDEN AB

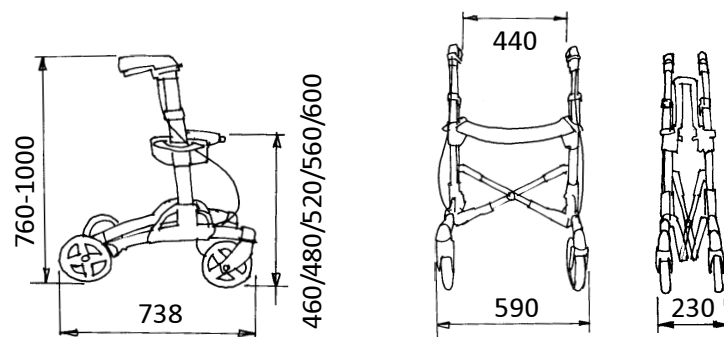
Congratulations to your new rollator!

The Volaris S7 will in many ways simplify your daily life. Acquaint yourself with your new rollator by carefully studying the directions for use. Adequate use and maintenance will provide more benefits, increased safety and longer life of your S7.

The S7 provides excellent support for your moving around and should be used exclusively as a walking aid. The seat is guaranteed to be able to carry people weighing up to 140 kg. The size of the S7, folded and unfolded, you can see further down. You can equip your S7 with several accessories for your safety and comfort.

Contents

Mounting the handles	page 3
Adjusting the handles	page 4
Adjusting the seat	page 4
Unfolding the S7	page 5
Folding the S7	page 5
Braking	page 6
Adjusting the brake	page 7
Recommendations for travel	page 8
Maintenance	page 10
Fault tracing	page 11
Accessories for your safety	page 12
Accessories for your comfort	page 13
Guarantee	page 14



Manufactured in Sweden

S7 is developed and manufactured in Sweden to enable us to guarantee for function and quality. It is manufactured from carefully chosen material and components. S7 is recoverable to 95 %.

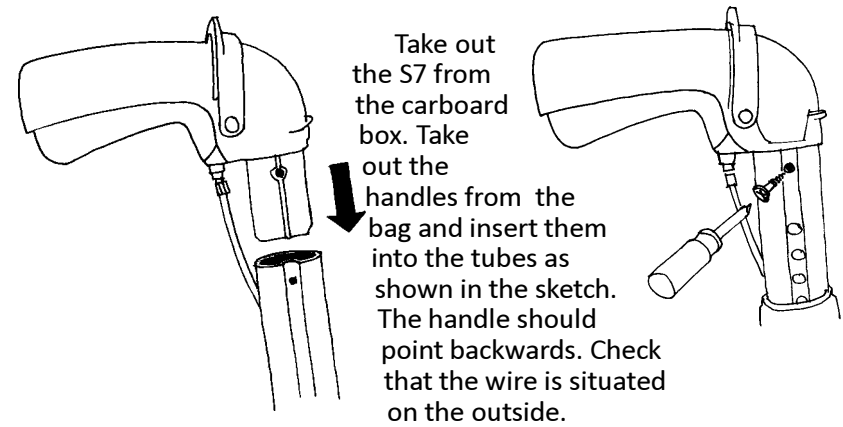
S7 complies with all prevailing standards such as SS-EN 1441, SS-EN 1985, SS-EN 12182 as well as ISO 11199-2:2005 and is approved by Hjælpemiddelinstittuttet, Denmark

Guarantee

Volaris grants two years guarantee on the S7. The guarantee, however, does not cover wear parts like handles, wires and wheels. Further the guarantee is not valid, if the rollator has been exposed to abnormal handling or has been altered without our consent.

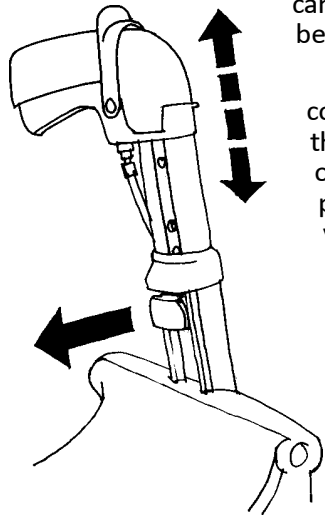
Mounting the Handles

When delivering directly to the customer we normally supply the S7 with loose handles in order to allow for a less spacious transport package. In case you have received the S7 from an aid agency the handles are already mounted.



Fix the handles by means of the provided screws as shown by the sketch.

Adjusting the height of the handles



By pulling the orange-coloured button you can adjust the height of the handles to between 100 and 76 cm.

Stand close to the S7. The height is correct, when your hands are on level with the handles. After some time you will find out, if you want further adjustments. The purpose is that you feel comfortable when you walk with your S7.

Adjustment of seat height

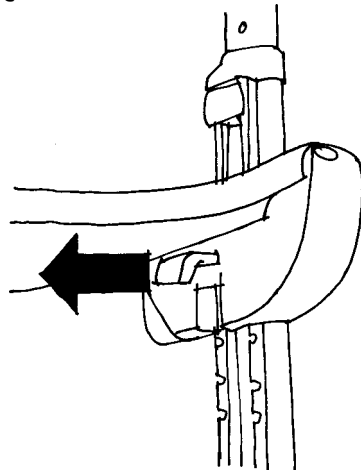
Change one side at a time.

Pull out the orange-coloured button underneath the seat.

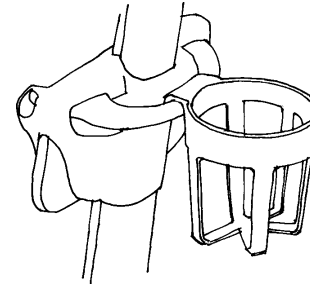
At the same time lift the seat or push it down to the required height. Feel that the button makes "click" again. This means the seat is now locked.

Repeat the procedure on the other side.

It is important that the seat is in horizontal position, before you use the rollator again. Push down the centre plate in the seat.



Accessories for your Comfort

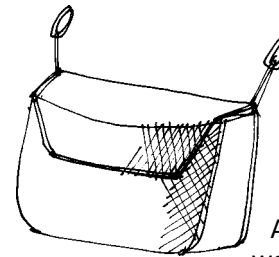
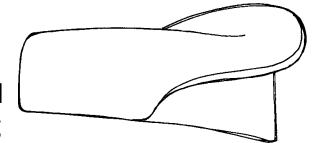


Bottle Holder

Holder of strong plastic material for bottle. Accommodates 0.5 litre tins and bottles. Suspended on handle.

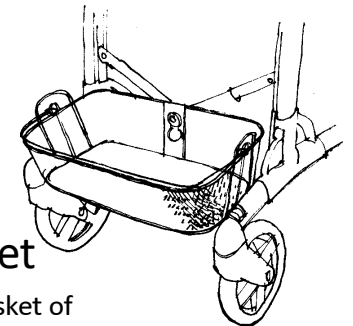
Anatomic Handgrip

Handle for anatomic support of the hand. Distributes the pressure against the palm. To be mounted on top of the existing handles.



Fabric Bag

A soft fabric bag of woven nylon. Can remain even when the rollator is folded. Easy to take off. Can be laundered.



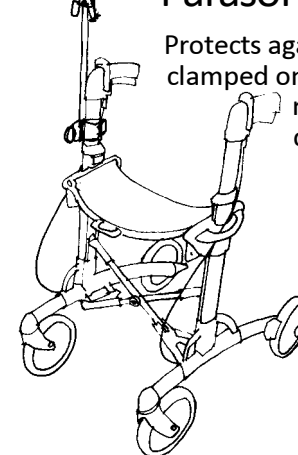
Net Basket

A sturdy basket of metallic net. Easy to hook upon the S7. Carrying handles.



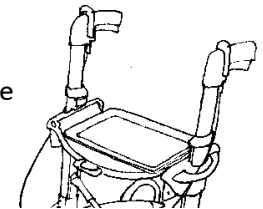
Parasol

Protects against sun and rain. Is clamped onto the frame. Can be rotated in all directions.



Tray

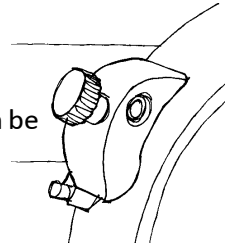
White-coloured tray, to be placed on the seat of the rollator.



Accessories for your safety

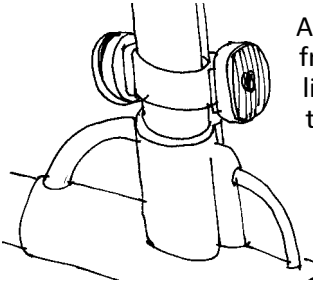
Slow Down Brake

A brake with adjustable continuous friction, can be mounted afterwards.



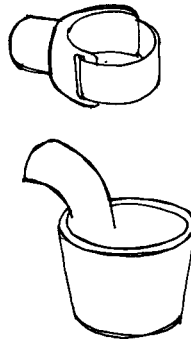
Lamp

Are clamped onto the frame. Red rear light, white front light. Battery driven. Easy to take off, easy to change battery.



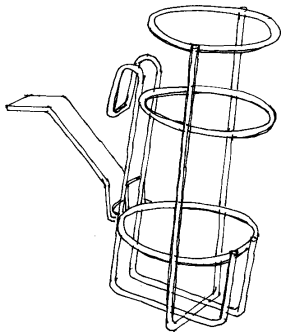
Cane Holder

Two parts to be on screwed in place. Holds stick, crutch or drip rack in place.



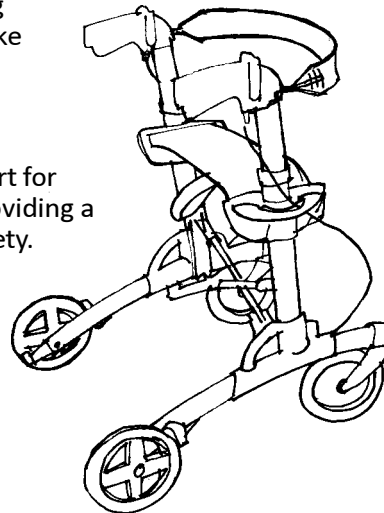
Holder for Oxygen Bottle

Sturdy steel basket to be hooked onto the seat including holder. Easy to take off.

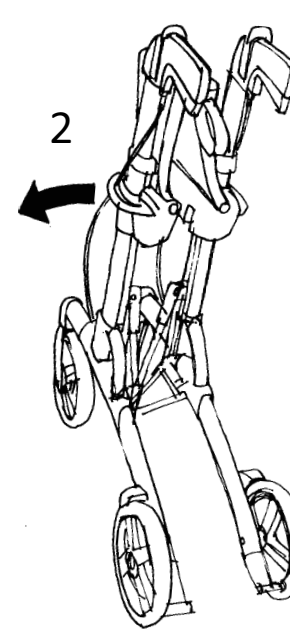


Backrest

Strong support for your back providing a feeling of safety. Fastened by two screws onto existing holders.



12



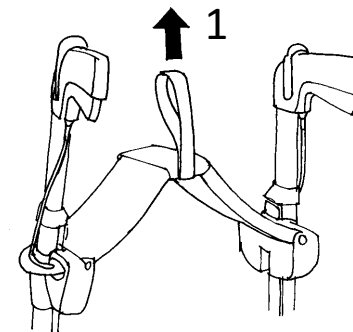
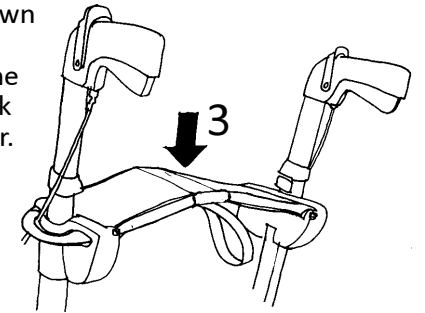
1

Unfolding the S7

1. Grip one handle with one hand and tilt the S7 slightly in the same direction causing the wheel lift a few centimetres.

2. Pull at the handle on the other side. A spring helps you to unfold the S7.

3. Push down the centre plate on the seat to lock the rollator.



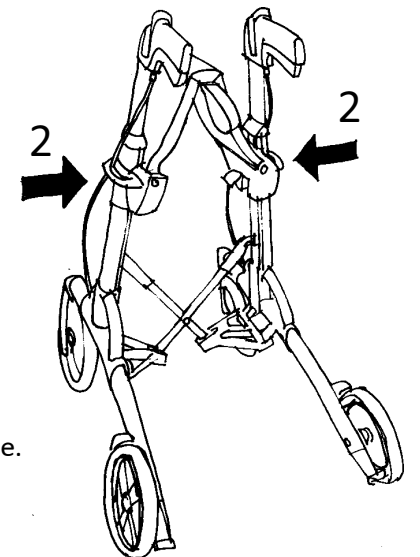
1

Folding the S7

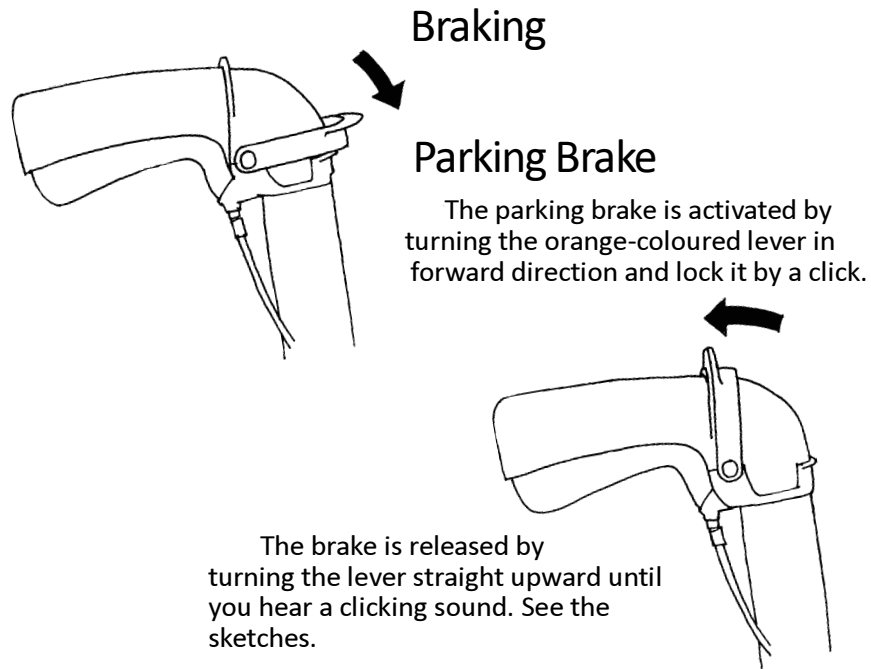
Take away the basket.

1. Lift the orange-coloured strip.

2. Press the S7 together with the handles on the side.

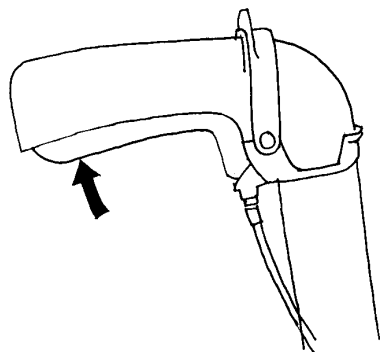


5



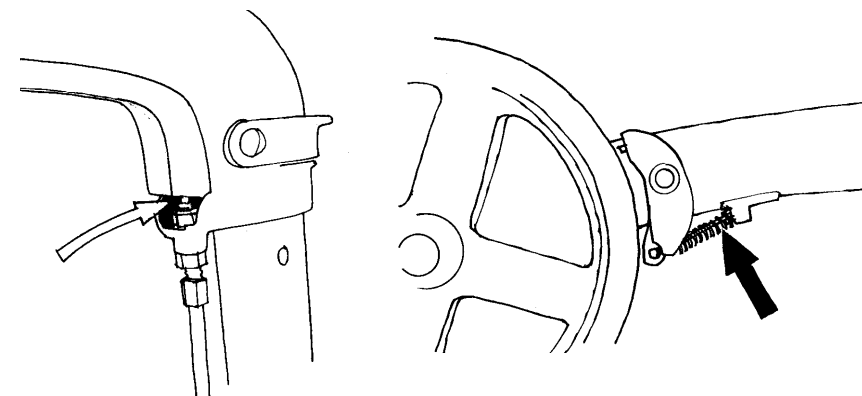
Travelling Brake

The brake is activated by upward pushing the bottomside of the handles



Lubricating the Wire

After the cleaning lubricate the braking wire up at the handle and down at the rear wheel. Lift the travelling brake handle and apply a few drops of oil on the wire showing above the adjusting screw. Lubricate also the wire inside the spring at the rear wheel.



Fault Tracing

If the rollator pulls to the right or to the left, check that all wheels rotate smoothly and that the wheel forks turn easily. Check that wheels and forks are tightened properly. Make sure that no dirt is gathered between the wheels and the brake shoes

If the Brake does not work :

- Make sure the wire gets down from the brake handle and is fixed to the brake arm.
- Check that, when braking, the brake arm is pressed against the wheel and there is no dirt between the brake arm and the wheel.
- Adjust the wire.

No or unequal braking action

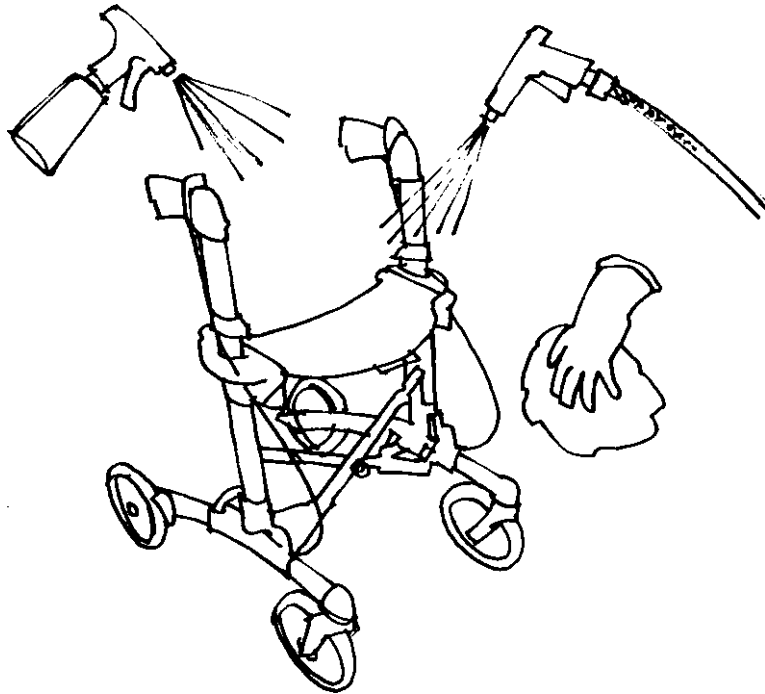
Make sure the brake wire is fixed in handle and brake arm. Check that the spring at the brake arm is not broken. Check when braking that the brake shoe is pressed against the wheel, equally on both sides. Adjust the wire, see page 7.

Maintenance

It is for your benefit to maintain the S7 well. It will last longer.

Cleaning

Leniently remove the dirt using a moist cloth and detergent.



Make sure that no dirt is gathered between the wheels and the brake shoes. Dirt might jeopardize the braking power.

Flushing from above by means of jet cleaning or a garden hose is recommended. Wipe dry afterwards.

Adjusting the brake to obtain correct function

The braking power can be adjusted by changing the length of the wire.

1. Turn up the parking brake.

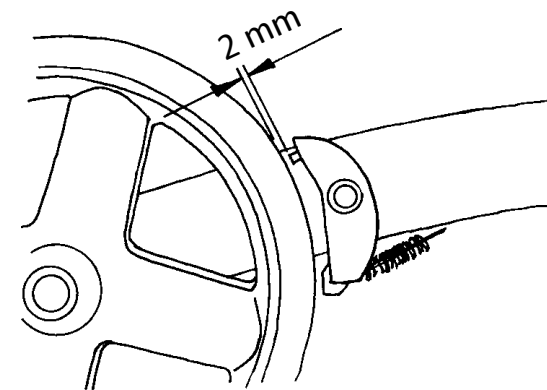
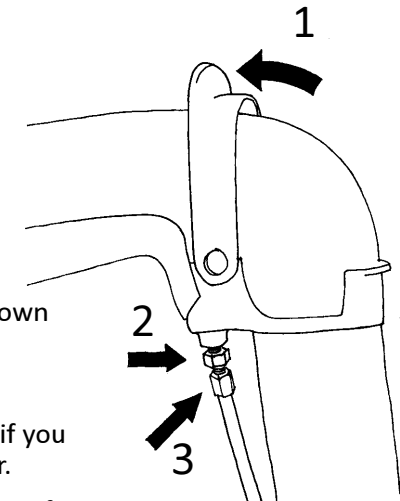
2. Loosen the locking nut as shown by the sketch.

3. Slacken the adjusting screw, if you want to increase the braking power.

Screw home the adjusting screw, if you want to reduce the braking power.

4. Check the distance between the brake shoe and the wheel. The distance should be approx. 2 mm. If you adjust the brake too tight the parking brake will be unnecessarily stiff to apply.

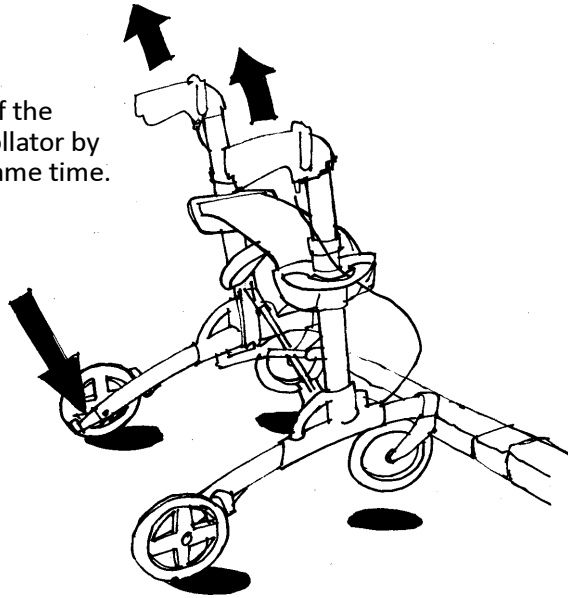
5. Tighten the locking nut again.



Recommendations for Travel

The S7 is built with a "comfort chassis" which makes it pass gently across uneven parts of the way. If you have to pass a larger obstacle or to get onto a pavement, you can obtain help by the tilting aid sitting on the rear wheels.

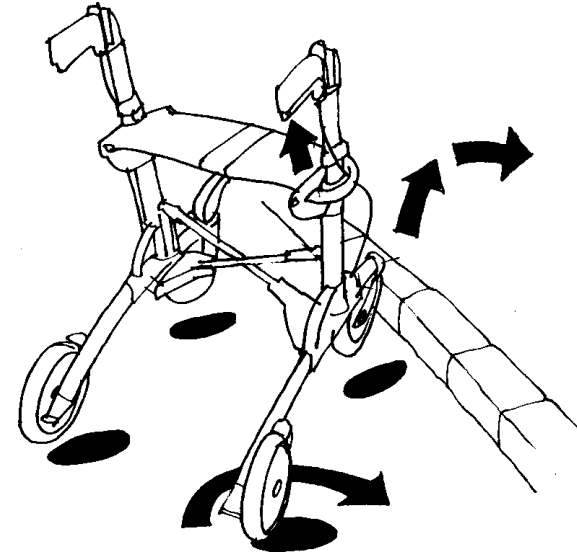
Step upon one of the pedals and lift the rollator by the handles at the same time.



Do not lift by the seat when you pass an obstacle. The rollator will then collapse!

Learn the "scissor technique".

Push diagonally towards the obstacle. Brake one side. Tilt the S7 slightly backwards making the front wheels lift. Lift the front wheels over the obstacle. It works fast once you have learnt the lesson.



For your safety!

Before you sit down on the S7, apply the parking brake!

Note! Never have anybody sitting on the seat when pushing the rollator.