

User Instruction Manual

Oxford® Advance

To avoid injury, read user manual prior to use. For alternative languages, contact your authorised service provider.

Manuel de l'utilisateur

Oxford® Advance

Afin d'éviter tout accident, veuillez lire attentivement la notice avant utilisation. Pour obtenir ces informations dans une autre langue, veuillez contacter votre prestataire de service agréé.

Benutzerhandbuch

Oxford® Advance

Um Verletzungen zu vermeiden, lesen Sie bitte die Gebrauchsanweisung vor der ersten Benutzung. Für andere Sprachen wenden Sie sich an Ihren autorisierten Dienstanbieter.

Manual de Instrucciones

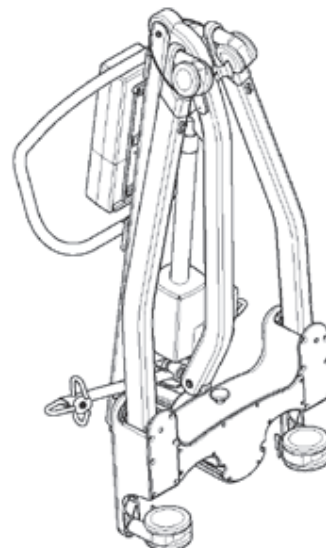
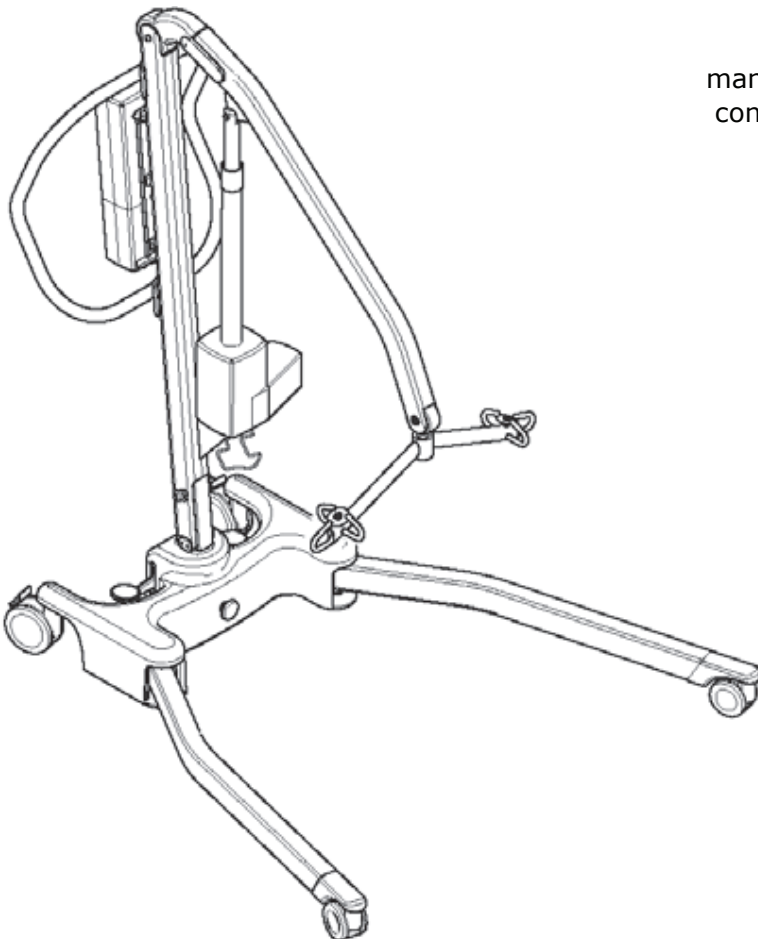
Oxford® Advance

Para evitar posibles daños, lea previamente el manual de usuario. Para otros idiomas, póngase en contacto con su proveedor de servicios autorizado.

Gebruikershandleiding

Oxford® Advance

Lees voor gebruik de handleiding om letsel te voorkomen. Neem voor andere talen contact op met uw erkende dienstverlener.

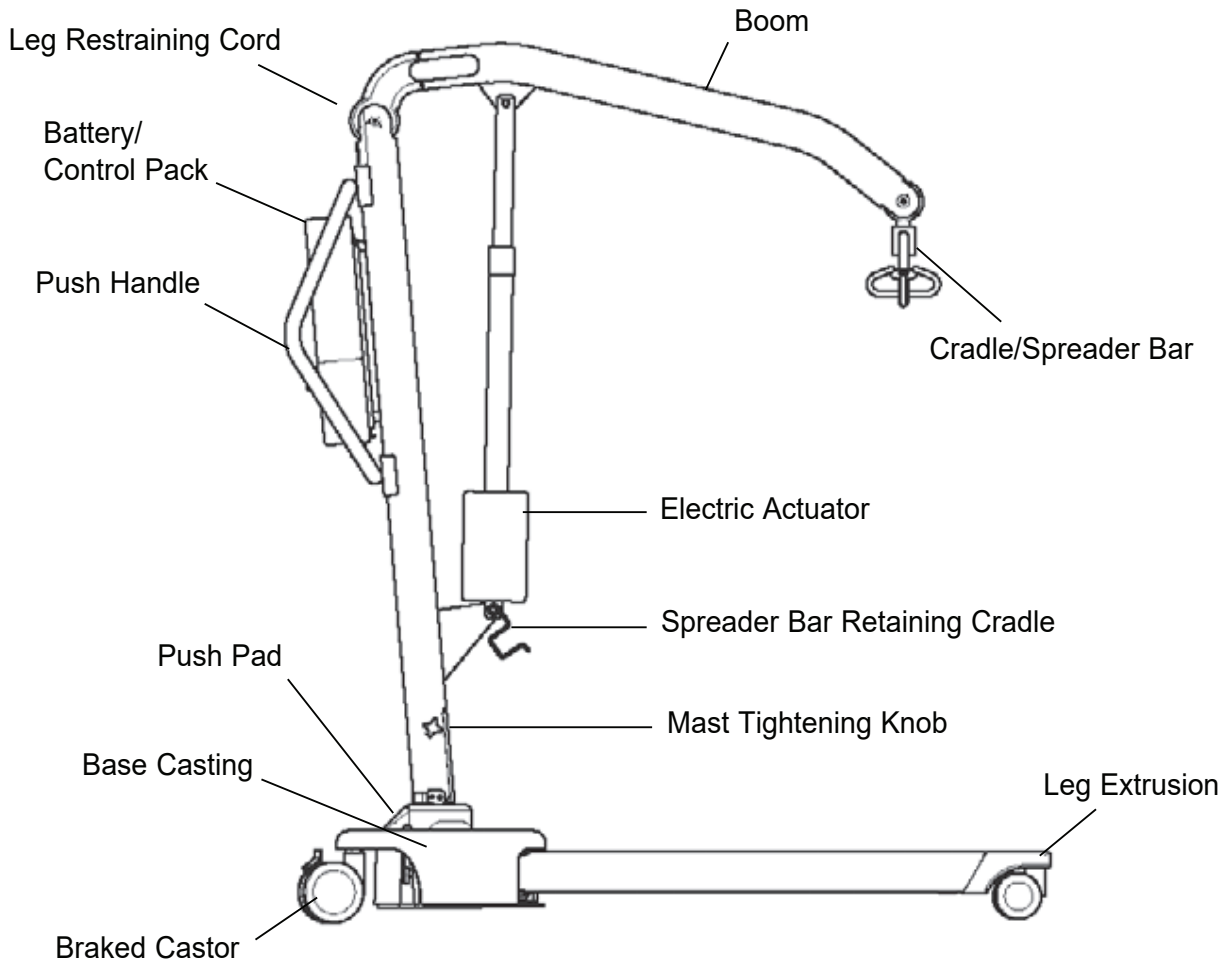


Contents

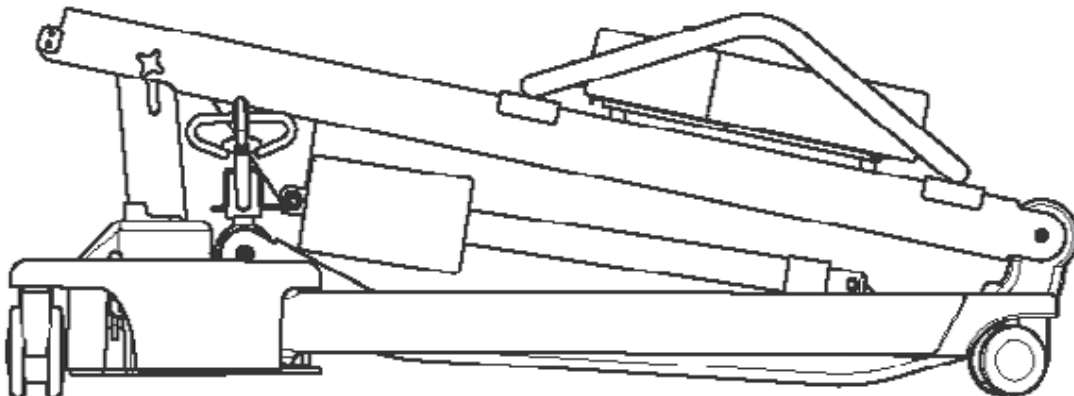
1. Oxford Advance Patient Lift	3
2. Introduction: The Oxford Advance Patient Lift	4
3. Assembly and Commissioning Instructions	5
4. Disassembly	7
5. Safety Precautions	10
6. Smart Monitor & Handset.....	12
7. Operating Instructions	16
8. Maintenance Schedule & Daily Checklist	20
9. Technical Specifications.....	23
10. Warranty.....	26

1. The Oxford Advance Patient Lift

Oxford Advance lift (ready for use)



Oxford Advance lift (storage position)



2. Introduction: The Oxford Advance Patient Lift

Each lift is fully assembled, load tested and certified before being packed/shipped.

The packing consists of a strong, purpose built carton and is used for both export and domestic markets to ensure the safe arrival of the lift. A number of documents are supplied in a wallet packed with each lift and should be kept safely for future reference.

- TEST CERTIFICATE
- USER MANUAL

The TEST CERTIFICATE is an important document and should be kept for reference purposes. To properly maintain your lift please refer to the maintenance schedule included in this document. If you are at all unsure what your country's servicing requirements are, please check with your dealer and/or a local government agency.

⚠ WARNING

Prior to each daily use of your lift the checks detailed in the daily checklist within this manual should be carried out.

The CE mark: The Oxford Advance carries the CE mark and complies with the following EC directives:



- Medical Device Directive (93/42/EEC)
- EMC Directive (EN60601-1-2:2015)
- Low Voltage Directive (73/23/EEC)

Statement of Intended Use

The intended use of this lifting device is for the safe lifting and transfer of an individual from one resting surface to another (such as a bed to a wheelchair). Joerns Healthcare recommends that the transfer of a patient is fully risk assessed and conducted safely over a short distance only.

The Oxford Advance is suitable for patients in the SITTING, SITTING/RECUMBENT and RECUMBENT positions.

The Oxford Advance is designed to support and promote safe patient handling and transfer for both the patient and carer. It can be folded without the use of tools enabling it to be easily stored in environments where space is limited. The Oxford Advance can also be separated into two sections to facilitate onward transportation in a vehicle with a suitably sized boot.

The Oxford Advance patient lift incorporates a 6-point spreader bar and is designed to be used in conjunction with the Oxford range of slings. The examples of slings suitable for use with this device are listed as follows:

- Oxford Quickfit
- Oxford Quickfit Deluxe
- Oxford Long Seat
- Oxford Full Back
- Oxford Access sling
- Oxford Silkfit

⚠ WARNING

Oxford Patient Lifts should only be operated by fully trained/competent care givers.

Expected Service Life

Oxford Professional lifts are designed and tested for a minimum service life of ten (10) years, subject to the use and maintenance procedures stated in this manual. Use, other than in accordance with these instructions, may compromise service life.

Serious Incident Reporting

In the event of a serious incident taking place during use of this product, affecting the patient and/or care-giver, it must be reported to the product manufacturer or authorised distributor. Should the incident take place within the European Union (EU), it must also be reported to the local competent authority within the member state.

3. Assembly and Commissioning Instructions

Carton Contents

Place the carton in a clear working area and open carefully. The carton contains:

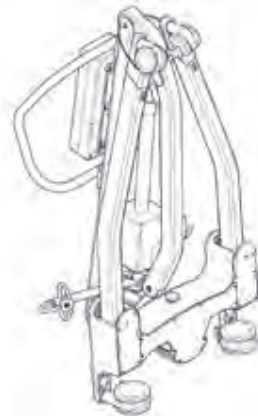
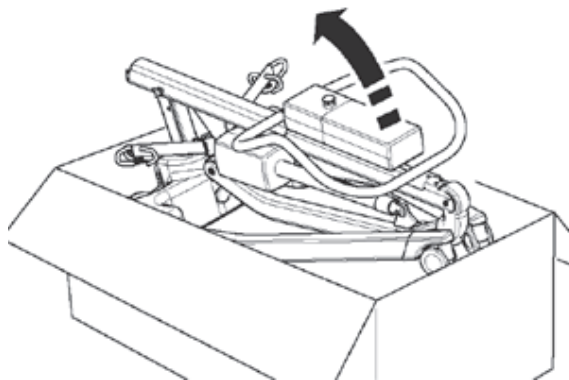
- OXFORD ADVANCE
- WALLET CONTAINING DOCUMENTS
- HAND CONTROL
- BATTERY PACK
- BATTERY CHARGING LEAD

SAFETY NOTE: The Oxford Advance is heavy and will need to be lifted with care. You may need assistance to lift the Oxford Advance from the carton.

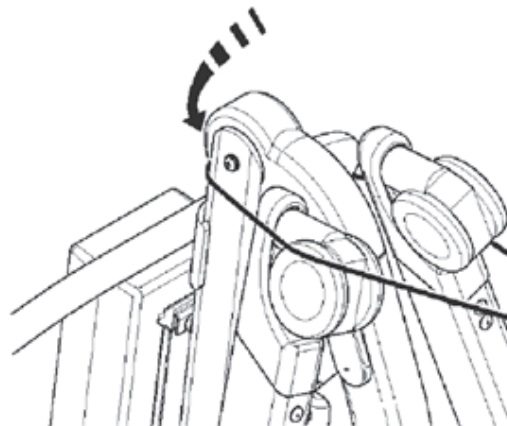
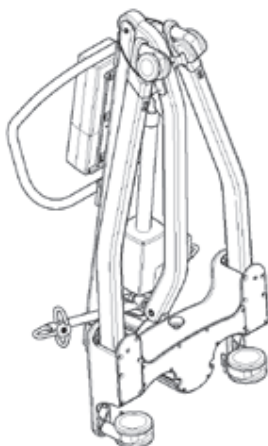
Assembly Instructions

1. Remove all the parts from the carton and place on the floor, taking care to protect the finish from damage.

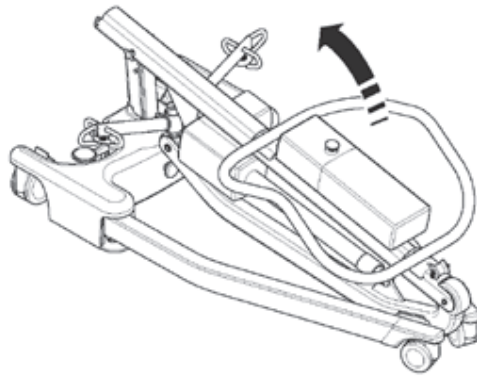
Lift the Advance carefully from the carton. Stand the lift in the upright position (in a triangular stance).



2. Release the leg and mast assembly by unfastening the restraining strap from the wheels. This strap will retract neatly into the top of the mast section.



3. Lay the Advance flat on the floor (ensure rear castors are securely locked).



4. Lift the mast assembly upright (using the top of the push handle), and drop the mast into the slot (1), tighten mast lock knobs (2), release braked castors (3).

SAFETY NOTE: Avoid trapping fingers. Keep fingers away from the end of the mast when inserting into the mast slot. Ensure the mast is fully engaged before tightening the mast locking device.



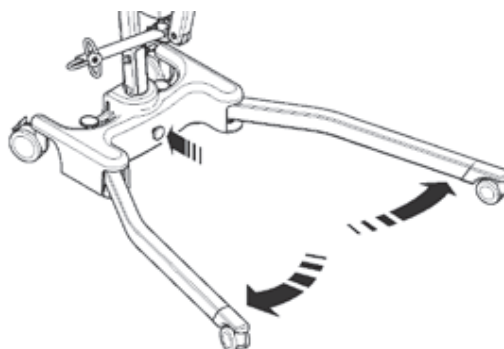
5. Open legs fully. ENSURE leg-locking knob engages flush against the base casting and the legs will no longer move freely. The legs will then only operate by the use of the foot pedal mechanism located at the rear of the base.

⚠ WARNING

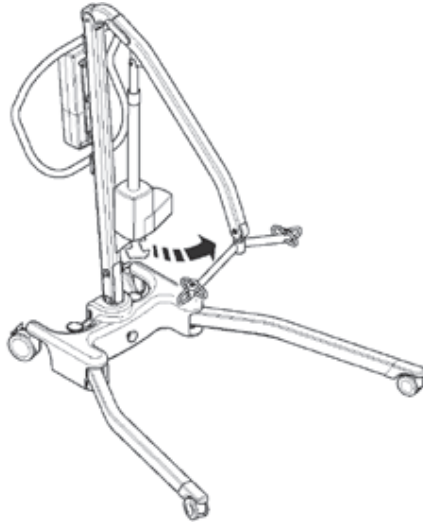
If operation of the foot pedal **DOES NOT** adjust the legs, **DO NOT** use the lift.

Check the leg locking knob is fully engaged.

If the leg locking knob will not fully engage and operating the foot pedal does not adjust the legs, **DO NOT** use the lift and contact your authorised Joerns Healthcare service provider for examination and repair.

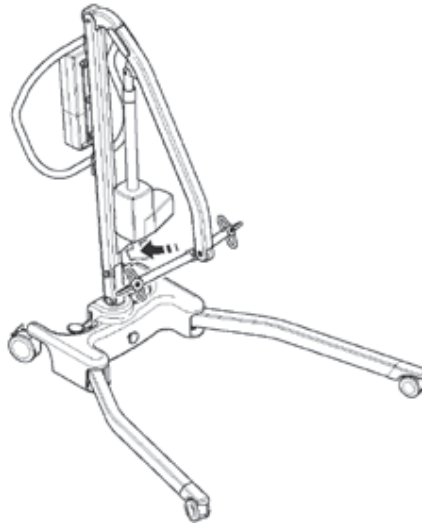


6. Release the spreader bar from the retaining cradle. The lift is now ready for operation.

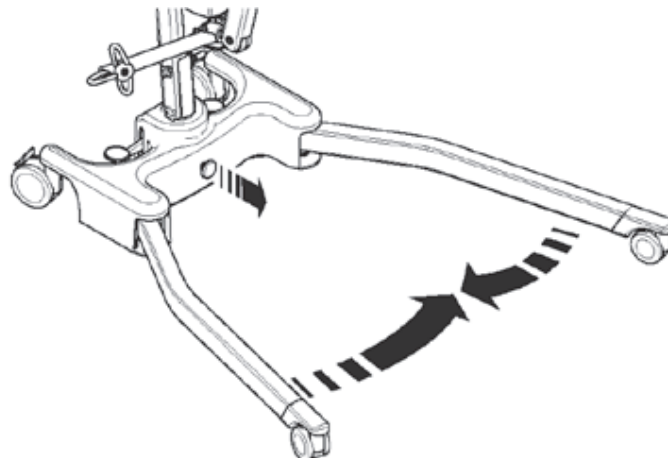


4. Disassembly

1. Lower the mast to the lowest possible position, then insert spreader bar into retaining cradle.



2. Release leg-locking device (pulling it away from the cast base), close legs tightly together.

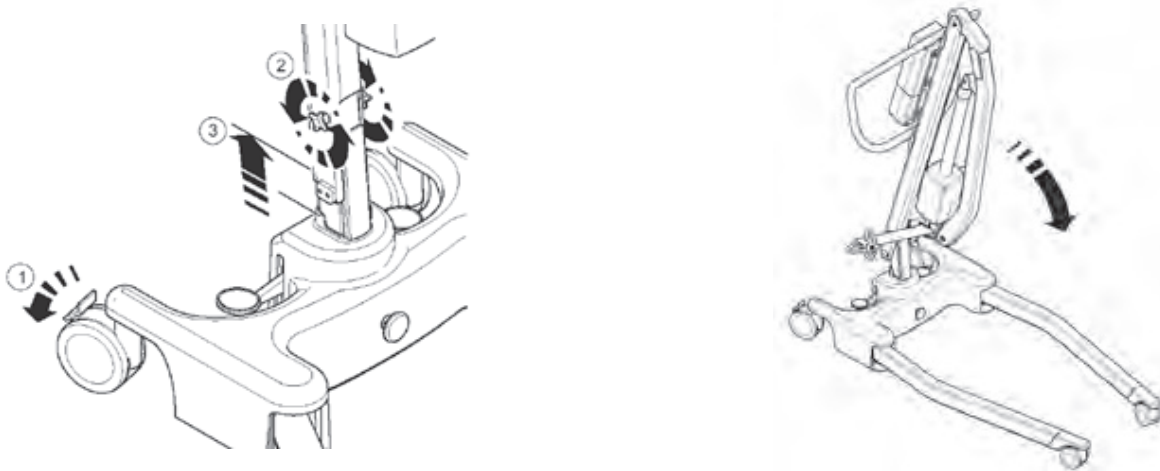


3. Loosen the mast locking device sufficiently to allow the mast to be lifted upwards. Lift the mast fully until the upper stop is reached. Carefully fold the mast towards the legs. Use the push handle to assist this action.

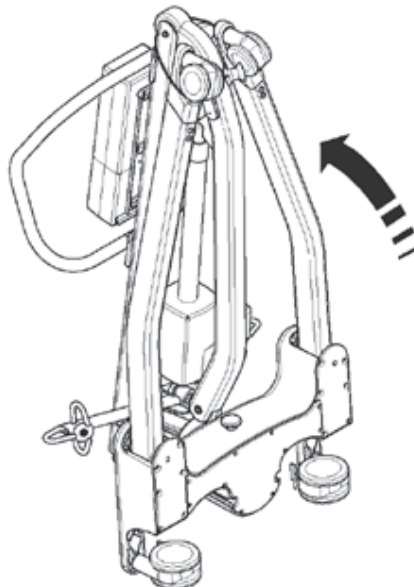
⚠ CAUTION

When commencing folding of the mast, if resistance is felt, DO NOT force the mast; lift the mast upwards again until the upper stop is reached and attempt the fold operation again.

NOTE: If you wish to separate the mast and boom completely from the base and legs, undo the mast locking device fully (remove) and lift the mast and boom completely free from the base. Be careful not to lose the mast lock device's knob and location spindle.

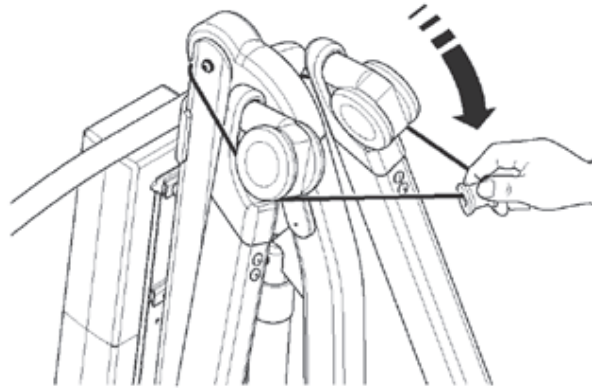


4. Lift the folded Advance upright (using the legs and push handle as a guide) being careful that the mast and boom stay together as you tilt upright.



5. Pull the restraining strap sharply upwards and extend over the wheels. (This will keep the legs, mast and boom neatly together during transit and storage).

NOTE: Care should be exercised when folding/unfolding an Advance as there is a possible danger of pinching the fingers etc. Please follow the instructions carefully and ask for assistance if you are unsure of the correct procedure.



ALWAYS CHECK THE FOLLOWING BEFORE OPERATION:

- The legs are fully engaged from the stowed position (see assembly instructions, step 5)
- The mast is fully locked into position (see assembly instructions, step 4).
- The legs open and close satisfactorily when the foot pedal is operated.
- Fit the power pack to the bracket on the mast and ensure the retaining latch is fully engaged and 'clicks' into place.
- The red emergency stop button, located on the control box, is in the OUT position.
- Depress the RAISE and LOWER buttons on the hand control and confirm the boom operates correctly.

5. Safety Precautions

Please read and follow the safety precautions listed below. The operation and use of Oxford patient lifts is simple and straightforward. Following these few basic safety precautions will make lifting operations easy and trouble free.

READ AND UNDERSTAND THE USER INSTRUCTION MANUAL BEFORE USING YOUR “ADVANCE” LIFT

WARNING: Important safety information for hazards that might cause serious injury.

CAUTION: Information for preventing damage to the product.

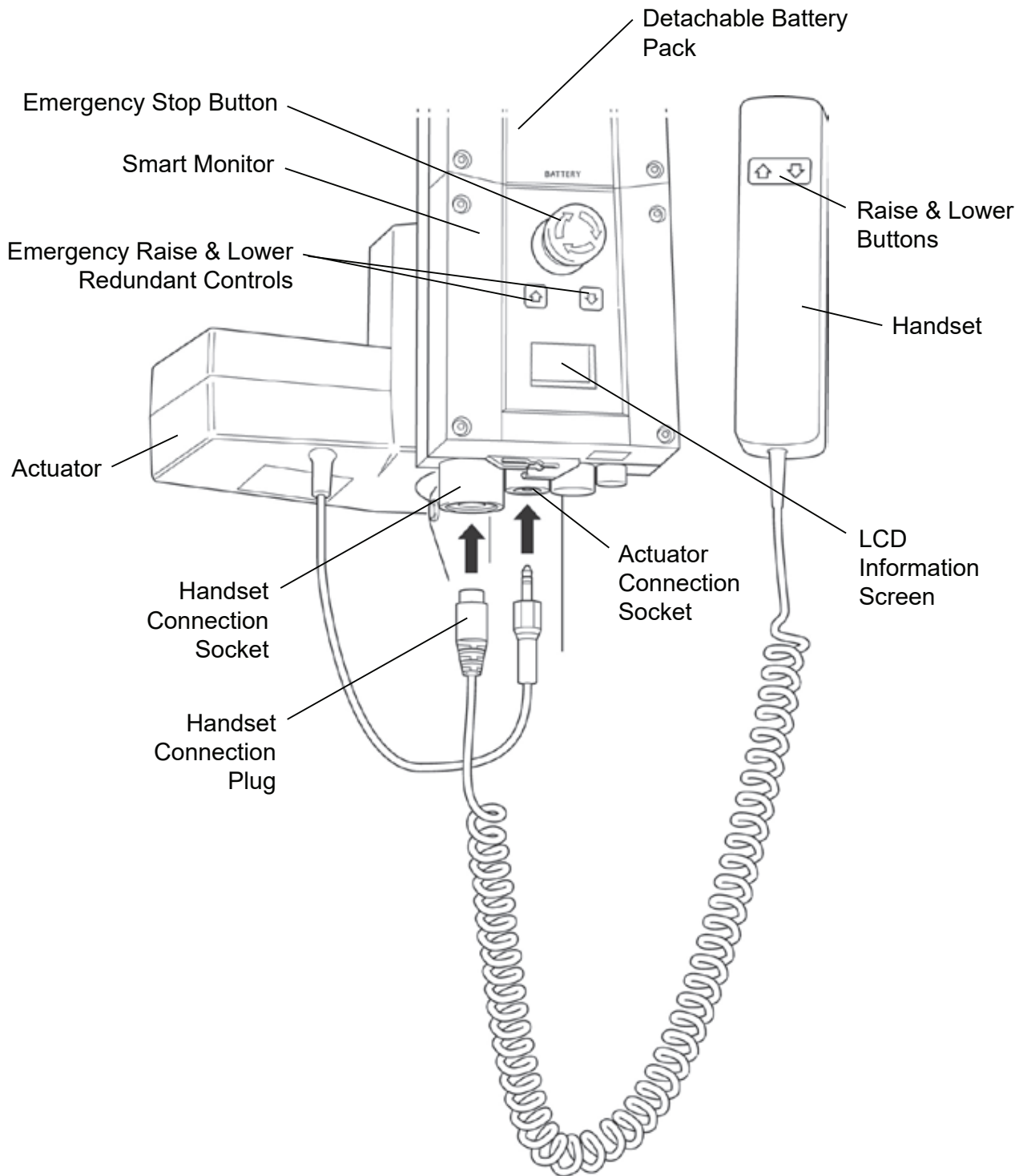
NOTE: Information to which you should pay special attention.

WARNING

- Oxford patient lifts should only be operated by fully trained/competent care givers.
- **ALWAYS** plan your lifting operations before commencing.
- **ALWAYS** carry out the **DAILY CHECK LIST** before using the lift.
- **ALWAYS** familiarise yourself with the operating control and safety features of a lift before lifting a patient.
- **DO NOT** use a sling unless it is recommended for use with the lift.
- **ALWAYS** check the sling is suitable for the particular patient and is of the correct size and capacity.
- **NEVER** use a sling, which is frayed or damaged.
- **ALWAYS** fit the sling according to the instructions provided (user instructions).
- **ALWAYS** check the safe working load of the lift is suitable for the weight of the patient.
- **ALWAYS** carry out lifting operations according to the instructions in the user manual.
- **NEVER** disconnect or bypass a control or safety feature because it seems easier to operate the lift.
- **DO NOT** lift a patient with the castor brakes on. Always let the lift find the correct centre of gravity.
- **DO NOT** attempt to manoeuvre the lift by pushing on the mast, boom or patient.
- **ALWAYS** manoeuvre the lift with the handle provided.
- **ALWAYS** lower the patient to the lowest comfortable position before transfers.
- **DO NOT** push a loaded lift at speeds, which exceed a slow walking pace (3 Kilometers/hour 0.8 meters/second).
- **DO NOT** push the lift over uneven or rough ground, particularly when loaded.
- **DO NOT** attempt to push/pull a loaded lift over a floor obstruction, which the castors are unable to ride over.
- **NEVER** force an operating/safety control. All controls are easy to use and do not require excessive force.
- The **MINIMUM** load required to manually lower the hoist using the mechanical emergency down function is 30 kg.
- **DO NOT** park a loaded lift on **ANY** sloping surface.

- **DO NOT** use electric lifts in a shower.
- **DO NOT** charge an electric lift in a bathroom or shower room.
- **DO NOT** lift a patient unless you are trained and competent to do so.
- **YOUR** lift is for patient lifting. **DO NOT** use it, or allow it to be used, for any other purpose.
- **DO NOT** bump the lift down steps, loaded or unloaded.
- **DO NOT** attempt to negotiate a loaded lift on a slope, which exceeds 1:12 (approximately 5 degrees).
- **DO NOT** attempt to negotiate a slope without a second helper being present.
- **ALWAYS** check the hoist is not charging before moving as the electrical connection may be damaged.

6. Smart Monitor & Handset



Intended Use

The Oxford Smart Monitor is a control system for Oxford Hoists. The Smart Monitor stores useful servicing information about the hoist that can be recalled when required. This servicing information includes:

- Number of patient lift cycles
- Total work done by actuator
- Number of lift overloads (attempted lifts above the safe working load)
- Number of days since last service interval

The Oxford Smart Monitor contains a microprocessor inside making it possible to read out service data via the on-board LCD screen.

Features

- Data collection in the control box with data display via LCD screen
- Work counter
- Intelligent cycle counter
- Service indicator
- Service interval indicator
- Overload information
- 3 step battery indicator

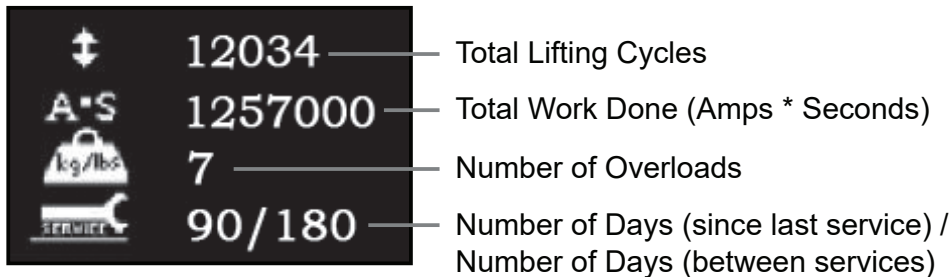
Benefits

- Improved safety for both patient and carer
- Accurate service data available at the touch of a button
- Optimised product life time
- Ease of maintenance for engineers and service technicians
- Fast and easy error identification

LCD Display Screen

The Oxford Smart Monitor has the option to read out information via the LCD display screen. It is possible to read out total lifting cycles, total work done, overloads and number of days since last service, which can be used to quickly and easily evaluate the condition of the lift actuator.

This information is accessed by a ½ second press on the 'UP' button on the User handset or redundant 'UP' button on the Smart Monitor.



Service & Usage Information



When it is time for a service, the service symbol will appear on the display. In addition, when the user handset is activated, the Smart Monitor will give an audible signal giving notice to users that a service is required.

The service symbol will be displayed each time the raise or lower keys are depressed on the User handset. When the service symbol is displayed, contact your authorised service provider immediately to arrange a service.

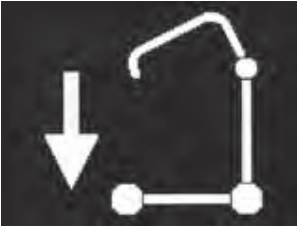


If the lift stops because of an overload (an attempt to lift more than the safe working load) the overload symbol will appear on the LCD display and the lift will cease to operate until the additional load (above the SWL) has been removed.

⚠ WARNING

If the LCD display screen on your Smart Monitor has recorded an overload, Joerns Healthcare recommend that ALL routine daily checks are carried out on the lift prior to further use (for a list of daily checks, please refer to your lift user manual). Joerns Healthcare also recommend that you contact your authorised Oxford service provider for additional guidance.

On-Board Redundant Controls



On-board redundant controls enable the lift to be raised or lowered in the event of an emergency.

Battery Information



The display showing full battery means that the battery is fully charged and the lift is ready for use.



The display showing a half empty battery indicates that it is time to charge the battery.



The empty battery symbol showing on the display indicates that the battery has no capacity left and should be placed on charge immediately.

⚠ WARNING

To avoid possible permanent damage to the battery, the battery should be placed on charge as soon as the display indicates the half empty battery symbol.

7. Operating Instructions

WARNING

Oxford patient lifts should only be operated by fully trained/competent care givers.

1. Leg adjustment

The legs on the Oxford Advance are adjustable for width. The legs can be opened to enable access around armchairs or wheelchairs. For transferring and negotiating doorways and passages, the lift legs should be securely locked in the closed position.

To operate adjustment, the leg adjustment pedal, located at the rear of the base, is pressed down on the right hand side to open the legs outwards and is pressed down on the left hand side to close the legs. The adjustment can be carried out whilst the patient is in the lift.

WARNING

Never perform a lift/transfer with the legs in the closed/transport position (front castors touching). The closed/transport position is for storage and transport only.

2. Castors and braking

The lift has two braked castors, which can be applied for parking. When lifting, the castors should be left free and un-braked, so that the lift will then be able to move to the centre of gravity of the lift. DO NOT apply the brakes. If the brakes are applied, the patient may swing to the centre of gravity and this may prove distressing and uncomfortable.

3. Raising and lowering the boom

The movement of the boom is achieved by a powerful electric actuator, which is controlled by a simple hand control unit. The hand control has two buttons with directional arrows RAISE and LOWER. The actuator stops automatically at the limit of travel in both directions. The hand control plugs into a socket at the base of the control box. There is a hook on the rear of the hand control, which allows it to be “parked” on the mast or boom when not in use.

4. Emergency stop

The red Emergency Stop Button is located on the rear of the control box and is activated by pressing in. This will cut all power to the lift and only be reset by twisting the button counterclockwise and releasing.

5. Redundant controls

All Oxford lifts are fitted with RAISE and LOWER buttons on the control box. These are located underneath the emergency stop button and can be used to lower/raise the patient should the hand control fail.

6. Mechanical Emergency Down

In the case of a complete electrical failure, the electric actuator is fitted with a mechanical lowering device (RED BOSS). This will only operate when the lift is under load. The device must be pulled upwards to activate and a slow decent will commence.

NOTE: The MINIMUM load required to manually lower the hoist using the mechanical emergency down function is 30 kg.

7. Batteries

The batteries are protected from deep discharge by a LOW VOLTAGE ALARM. This will sound when the batteries need recharging and the hand control is being operated. It will not sound independently of the hand control being operated. CAUTION: DO NOT IGNORE THIS WARNING ALARM. Complete the lifting operation and place the lift on charge (see charging instructions).

⚠ WARNING

To avoid possible permanent damage to the battery, the battery should be placed on charge as soon as the display indicates the half empty battery symbol.

8. Slings

The selected sling is attached to the spreader bar hooks. Each sling is supplied with instructions. Please study the instruction guide for the lift and sling before using. Once the correct sling has been selected for the patient, attach it to the spreader bar hooks.

NOTE: For detailed fitting instructions, please refer to the user guide supplied with each sling.

⚠ WARNING

Joerns Healthcare recommends slings are checked regularly and before use for fraying or damage. DO NOT use slings that are worn or damaged.

⚠ WARNING

OXFORD RECOMMENDS THE USE OF GENUINE OXFORD PARTS. Oxford sling and lift products are designed to be compatible with one another. For country specific guidance on sling use and compatibility, please refer to the sling label or contact your local market distributor or Joerns Healthcare.

⚠ WARNING

Refer to maximum weight capacity of lift. Sling capacity is limited by the maximum capacity of the lift.

Charging Instructions

When the power pack needs charging it is removed from the lift and fitted to an off board charging unit.

Joerns Healthcare recommend an additional battery pack is purchased, so that one pack can be on charge at all times.

1. Remove the power pack from the lift. The pack is retained by a simple latch at the top of the power pack. Lift the latch and the power pack will be released.
2. Fit the power pack to the charging unit. The location and latching of the power pack to the charger is the same system as used on the lift.
3. Plug the charger mains plug into a suitable mains outlet and switch the mains supply ON.
4. Charging is automatic and will fully charge the batteries over a period of four (4) hours.
Note: Even if the charger is left plugged in for extended periods it will not allow the batteries to overcharge.
 - a) Green Light - Indicates main power is on.
 - b) Yellow Light - Indicates battery is charging.
 - c) Battery will be fully charged when yellow light goes off.

Note: It is recommended that the battery be charged immediately upon receipt.

5. To return the lift to service, switch OFF the mains supply and remove the power pack from the charger. Fit the power pack to the bracket on the mast and ensure the retaining latch is fully engaged and 'clicks' into place. The charging of Oxford electric lifts is simple and straightforward, but it is important to follow the charging instructions closely. Please pay particular attention to the following points, they will help you avoid problems with discharged batteries.

WARNING

- **The battery, charger, hand control and control box are NOT to be opened by unauthorised personnel. (Contact your distributor for warranty and repairs).**
- **DO NOT touch battery/charger terminals.**
- **KEEP the batteries fully charged. Place the battery on charge whenever it is not in use. If it is more convenient to do so, place on charge every night. The charger will not allow the batteries to overcharge.**
- **NEVER run the batteries completely flat. As soon as the audible warning sounds, complete the lifting operation in hand and place on charge.**
- **To avoid possible permanent damage to the battery, the battery should be placed on charge as soon as the display indicates the half empty battery symbol.**
- **NEVER store the battery for long periods without regular charging throughout the storage period.**
- **ALWAYS make sure the mains power to the charger is switched off before connecting or disconnecting the battery pack.**
- **NEVER leave the battery pack connected with the charger mains power switched off.**

- **DO NOT** leave the charger switched on with the battery disconnected.
- **DO NOT** use the lift while charging is taking place.
- **CHECK** the lift is not charging before moving as the electrical connection may be damaged.
- **NEVER** disconnect the charger plug by pulling on the cable.
- **BE CAREFUL** not to trip over the charge lead.
- **DO NOT** charge an electric lift in a bathroom or shower room.

8. Maintenance Schedule & Daily Check List

All Oxford products are designed for minimum maintenance, however some safety checks and procedures are required. A schedule of DAILY tasks are detailed below. Daily checks, a bi-annual thorough examination and an annual service and test will ensure a lift is kept in optimum safe working condition. A list of spare parts is available upon request.

The LOAD TEST and certification should only be carried out by qualified personnel or an authorised service agent / dealer.

DAILY CHECK LIST: Joerns Healthcare strongly recommends the following checks be carried out on a daily basis and before using lift.

- ENSURE the lift moves freely on its castors.
- MAKE SURE the 6-point spreader bar is free to rotate and swing
- EXAMINE & CHECK that the 6-point spreader bar is firmly attached to the boom.
- EXAMINE the sling hooks/clips on the 6-point spreader bar for damage and/or excessive wear.
- ENSURE the legs open and close correctly and lock in all open and closed positions.
- OPERATE the hand control to confirm the boom raises and lowers satisfactorily.
- ENSURE the control box display panel DOES NOT have a spanner symbol illuminated and no audible beep can be heard when depressing raise/lower buttons.
- CHECK the operation of the emergency stop button.
- EXAMINE slings for fraying or other damage. DO NOT use any sling if damaged or if the sling shows signs of wear.
- CONFIRM the lift is not sounding a low battery alarm when the hand control is operated. If the alarm sounds, DO NOT use, and place on charge immediately.
- MAKE SURE the actuator connection points are secure.
- VISUALLY INSPECT all fixings and fasteners and ensure they are secure prior to use.

Maintenance, Inspection and Test

Joerns Healthcare recommend a thorough inspection and test of the Oxford Advance lift and lifting accessories, slings, scales etc is carried out on a regular basis. Inspection frequency varies depending on locality, so you must check with your dealer or local government agency as appropriate regarding how often an inspection is required. The examination and test should be conducted according to the recommendations and procedures provided in this manual. Joerns Healthcare recommends maintenance, inspection and certified testing is carried out by authorised service agent / dealers only.

NOTE: These recommendations are in compliance with the requirements of 1998 No2307 Health and Safety: The Lifting Operations and Lifting Equipment Regulations 1998. This is a UK regulation. Outside the UK please check your local country requirement.

Cleaning

Clean with ordinary soap and water and/or any hard surface disinfectant. Harsh chemical cleaners or abrasives should be avoided as these may damage the surface finish of the lift. Avoid wetting any of the electrical parts. After cleaning, the unit should be thoroughly dried.

End of Life Disposal

Battery: All batteries in the product and any accompanying accessories must be recycled separately. Batteries should be disposed of in accordance with local or national regulations.

Slings: Slings and associated material accessories should be sorted as combustible waste in accordance with local or national regulations.

***THESE CHECKS SHOULD INCLUDE:**

	Initially	Before Use	Service Intervals
1. SPREADER BAR: Check the spreader bar for freedom of rotation and swing. Check for wear on the central pivot. Check for firm attachment to the boom.	✓	✓	✓
2. BOOM: Check the attachment of the boom to the mast. Make sure there is only minimal side movement of the boom and the boom is free to rotate on the boom bearing.	✓	✓	✓
3. MAST: Check the operation of the mast-locking device. Make sure the mast fully engages into the socket. Check the bottom actuator mounting.	✓	✓	✓
4. ACTUATOR: The actuator should require no maintenance other than checking for correct operation and listening for unusual noise.			✓
5. SMART MONITOR: Check the function of the emergency stop button. Inspect the hand control socket for correct fitting. Check functioning of the hand control. Check the redundant controls and confirm they operate as intended. The MINIMUM load required to manually lower the hoist using the emergency lower function is 30 kg.	✓	✓	✓
6. BATTERIES: The batteries are housed in the power pack and should not require maintenance other than the regular charging as detailed in the charging instructions. Check that the connections remain clean.			✓
7. LEG ADJUSTMENT: Check the legs operate in both full extensions (inward/outward).	✓	✓	✓
8. CASTORS: Check all castors for firm attachment to the legs. Check for free rotation of the castor and the wheels.	✓	✓	✓
9. CLEANING: Clean with ordinary soap and water and/or any hard surface disinfectant. Harsh chemical cleaners or abrasives should be avoided as these may damage the surface finish of the lift. Avoid wetting any of the electrical parts. After cleaning, the unit should be thoroughly dried.		✓	✓
10. LOAD TEST: The load test should be carried out in accordance with the manufacturers test procedures and the directive detailed in EN ISO 10535:2006 - Annex B - Periodic Inspection B1 - see excerpt below. It is strongly recommended that an authorised service dealer carry out the test.			✓
11. BASE AND WHEELS: Ensure base is even and level (all four wheels are on the floor).	✓	✓	✓
12. SLINGS: Check for wear and fraying.	✓	✓	✓
13. LUBRICATION: Lubricate pivot joints, including mast and boom connections, pedal assembly, spreader bar joint (only if required) using food grade spray lubricant.			✓
14. FIXINGS: Check all nuts, bolts, screws and fasteners for excessive wear and for tightness. Replace as required.			✓

EN ISO 10535:2006

Annex B

(Informative)

Periodic Inspection

B. 1 Periodic inspection of the hoist should be undertaken at the time intervals stated by the manufacturer, but at least once a year. By periodic inspection is meant a visual examination (particularly of the hoist's load bearing structure and lifting mechanism with attachments, brakes, controls, safety devices and person-support devices) and whatever function tests and maintenance measures may be required, e.g. adjustment of brakes, tightening of fasteners.

Every inspection should include a working load test of one (1) lifting cycle with the maximum load.

9. Technical Specifications

Specification

Safe Working Load.....	341 lbs.....	155Kgs
Maximum Overall Length.....	51 inches.....	1300mm
Minimum Overall Length.....	49 inches.....	1250mm
Maximum Overall Height.....	73 inches.....	1860mm
Minimum Overall Height.....	53.5 inches.....	1360mm

Folded Dimensions

Height.....	17.1 inches.....	450mm
Depth.....	46.4 inches.....	1180mm
Width.....	21.6 inches.....	550mm

Spreader Bar Max. Height.....	66.5 inches.....	1690mm
Spreader Bar Min. Height (usable).....	15.3 inches.....	390mm
Height at Maximum Reach.....	46 inches.....	1170mm
Reach at Maximum Height.....	25.6 inches.....	650mm
Reach at Minimum Height.....	13.7 inches.....	350mm
Maximum Reach*.....	32.8 inches.....	835mm
Turning Radius.....	55.9 inches.....	1420mm
Legs Open - External Width.....	42.5 inches.....	1080mm
Legs Open - Internal Width.....	39.3 inches.....	1000mm
Legs Closed - External Width.....	26.3 inches.....	670mm
Legs Closed - Internal Width.....	22.4 inches.....	570mm
Overall Height of Legs.....	4.5 inches.....	115mm
Ground Clearance.....	1.1 inches.....	30mm
Front Twin Castors.....	3.0 inches.....	75mm
Rear Braked Castors.....	3.9 inches.....	100mm

*Reach = centre of spreader bar to the front of the mast

Weights

Mast, Base & Boom Assembly.....	63.1 lbs.....	28.9kgs
Power Pack.....	6.6 lbs.....	3.0kgs
Total.....	70.3 lbs.....	31.9kgs
Base Assembly (not incl. battery).....	32.8 lbs.....	14.9kgs
Mast & Boom (not incl. battery).....	30.9 lbs.....	14.0kgs

All measurements are within a +5/-5 degree of tolerance.

ELECTRICAL SPECIFICATIONS:

BATTERIES.....	24 volt Rechargeable sealed lead acid type
BATTERY CAPACITY.....	3.2 Ampere hours
CHARGER RATED INPUT.....	100 - 240 V AC 50/60 Hz Max 400mA
CHARGER RATED OUTPUT.....	27.4/29.0 VDC @ 0.8A

ELECTRIC SHOCK PROTECTION

CHARGER.....	CLASS II (EN 60601-1)
LIFT.....	INTERNAL POWER SOURCE

DEGREE OF SHOCK PROTECTION

CHARGER.....	TYPE B (EN 60601-1)
LIFT.....	TYPE B (EN 60601-1)

ENVIRONMENTAL CONDITIONS:

Outside this environment functionality and safety may be compromised.

OPERATING:

TEMPERATURE.....	5°C to 40°C
RELATIVE HUMIDITY.....	20% to 90% @ 30°C - not condensing
ATMOSPHERIC PRESSURE.....	700 to 1060 hPa

STORAGE:

TEMPERATURE.....	-10°C to +50°C
RELATIVE HUMIDITY.....	20% to 90% @ 30°C - not condensing
ATMOSPHERIC PRESSURE.....	700 to 1060 hPa

IP RATINGS

CONTROL BOX.....	IPX4
ACTUATOR.....	IPX4
OFF BOARD CHARGER.....	IPX5
BATTERY.....	IPX5
HANDSET.....	IPX5

DUTY CYCLES

ACTUATOR.....	10% (2 min./18 min.)
CHARGER.....	Approx. 4 hrs.

ACOUSTICS

A-Weighted sound power level.....	60 dB (A)
-----------------------------------	-----------

KEY SYMBOLS:

The following symbols are used on the charger, control unit and battery:



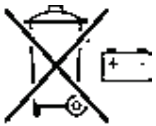
This product is a Medical Device in accordance with EU Medical Device Regulation 2017/745.



Type B equipment, as per EN 60601-1.



Class 2 equipment.



The disposal of batteries should not be mixed with general household waste. Batteries should be disposed of in accordance with local or national regulations.



The disposal of electronics should not be mixed with general household waste.



For indoor use.



ATTENTION, consult accompanying documents.



Refer to the user instructions before use.

WEEE Producers registration number WEE/GG0464RZ

10. Warranty

Joerns Healthcare has an established network of authorised distributors and service agents who will be pleased to handle all of your purchasing, warranty, repair and maintenance enquiries. It is recommended that our products are commissioned by your authorised distributor or service agent.

The distributor or service agent operates the warranty programme, so it is important to keep a record of their name, address and telephone number so they can be contacted should any problem arise. If you are in any doubt as to where your lift was purchased, Joerns Healthcare can trace the supplier if you quote the serial number of the lift.

All warranty claims are subject to the correct use and maintenance in accordance with the user instruction manual provided with each lift. Damage caused by use in unsuitable environmental conditions or failure to maintain the product in accordance with user and service instructions is not covered. Your statutory rights remain unaffected.

REMEMBER: Contact your authorised distributor or service agent for purchases, repairs, servicing and certified maintenance.

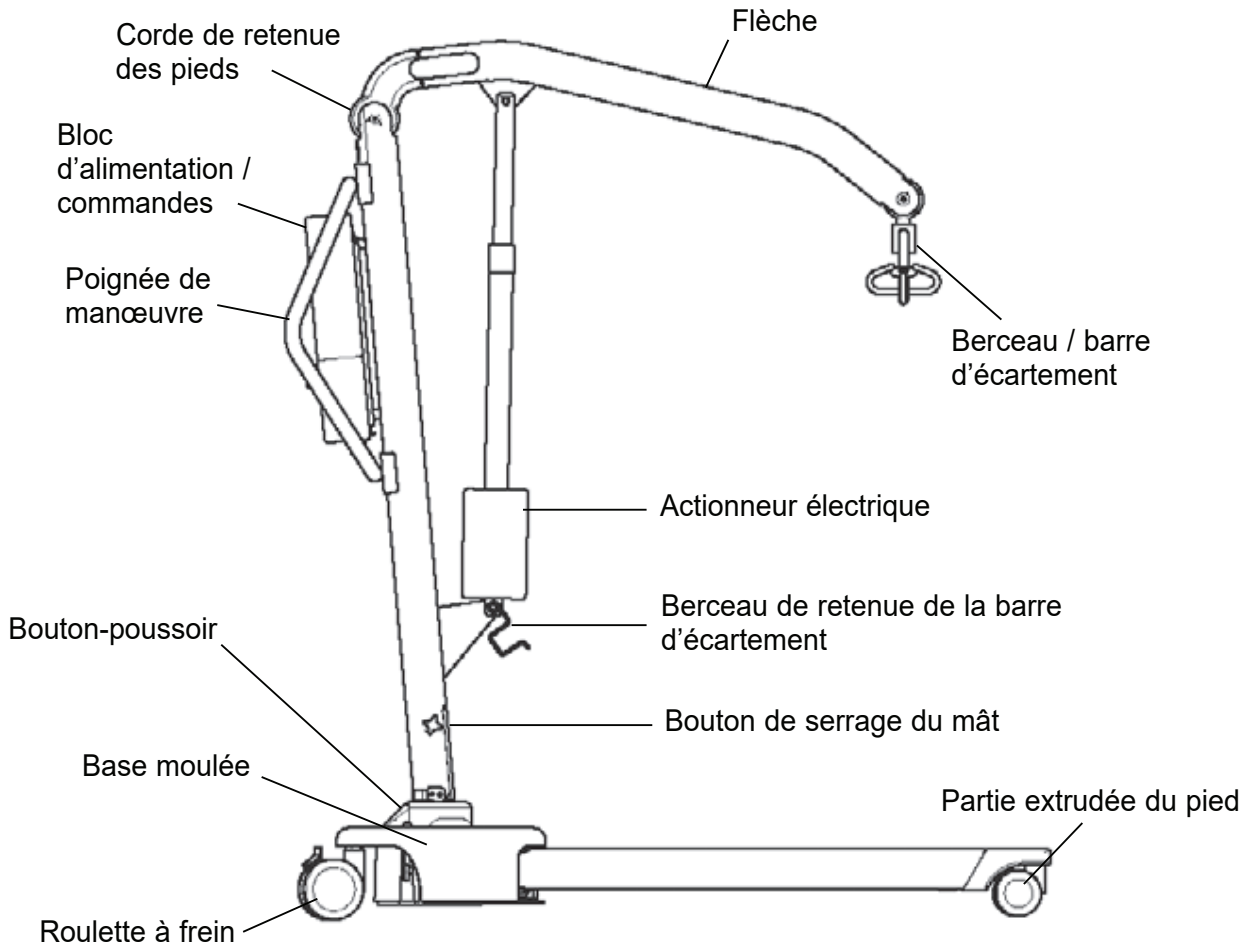
Your distributor:

Table des matières

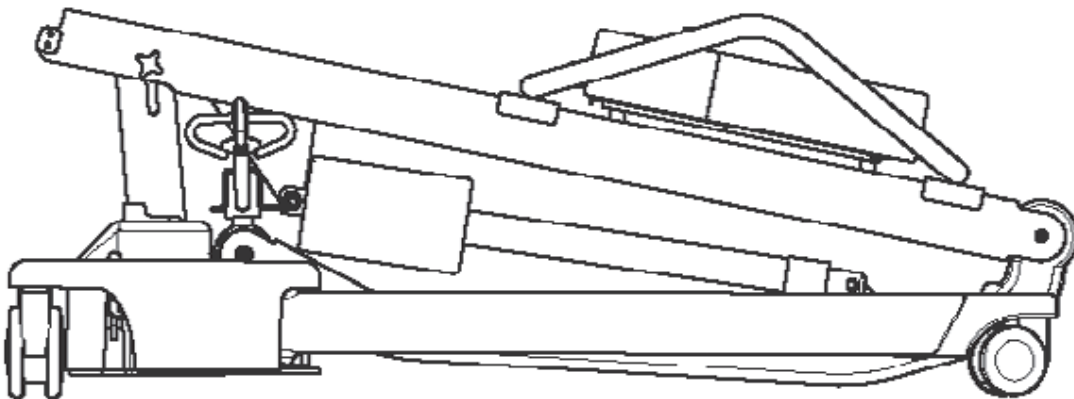
1. Le lève-personne Oxford Advance	29
2. Introduction: Le lève-personne Oxford Advance.....	30
3. Instructions de montage et de mise en service	31
4. Démontage.....	33
5. Consignes de sécurité.....	36
6. Moniteur Smart et commande manuelle	38
7. Instructions de fonctionnement	42
8. Calendrier d'entretien et liste de contrôles quotidiens	46
9. Spécifications techniques.....	50
10. Garantie.....	53

1. Le lève-personne Oxford Advance

Lève-personne Oxford Advance (prêt à l'emploi)



Lève-personne Oxford Advance (en position de rangement)



2. Introduction: Le lève-personne Oxford Advance

Chaque lève-personne est entièrement monté, soumis à un essai de charge et certifié avant d'être emballé / expédié.

L'emballage se compose d'une boîte en carton robuste construite spécialement pour les expéditions intérieures et les exportations qui permet de garantir l'arrivée de l'appareil intact à destination.

L'emballage de chaque lève-personne comprend une pochette contenant un certain nombre de documents qui doivent être conservés en lieu sûr pour référence future.

- CERTIFICAT D'ESSAI
- MANUEL D'UTILISATION

Le CERTIFICAT D'ESSAI est un document important qui doit être conservé à titre de référence. Pour entretenir correctement votre lève-personne, veuillez vous référer au tableau de périodicité d'entretien dans ce document. En cas d'incertitude concernant les normes d'entretien locales, veuillez vous renseigner auprès de votre revendeur et / ou d'un organisme gouvernemental local.

▲ AVERTISSEMENT

Avant chaque utilisation du lève-personne, référez-vous à la liste des vérifications quotidiennes fournie dans le manuel.

Marque CE: L'appareil Oxford Advance porte la marque CE et il est conforme aux directives CE suivantes :



- Medical Device Directive (appareils médicaux) 93/42/CEE
- Directive EMC (EN60601-1-2:2015)
- Directive relative aux basses tensions (73/23/CEE)

Déclaration d'utilisation prévue

L'usage prévu de cet appareil de levage consiste à lever et à transférer en toute sécurité un patient depuis un point à un autre (par ex. depuis un lit vers un fauteuil roulant). Joerns Healthcare recommande de toujours procéder à une évaluation des risques avant d'entreprendre le transfert d'un patient, et de limiter le transfert à de courtes distances.

Le lève-personne Oxford Advance est prévu pour les patients en position ASSISE, en position ASSISE/ ALLONGÉE et en position ALLONGÉE.

Le lève-personne Oxford Advance est prévu pour assurer et promouvoir la sécurité à la fois du patient et de l'aide-soignant. Il se plie sans outil, ce qui permet de le ranger en toute simplicité même dans des endroits où l'espace est limité. Le lève-personne Oxford Advance peut également se démonter en deux parties, facilitant le transport à bord d'un véhicule doté d'un coffre suffisamment grand.

Le lève-personne Oxford Advance intègre une barre d'écartement à 6 points et est conçu pour être utilisé conjointement avec les différentes sangles Oxford. Les exemples de sangles compatibles avec ce matériel sont énumérés ci-dessous:

- Oxford Quickfit
- Oxford Quickfit Deluxe
- Oxford Long Seat
- Oxford Full Back
- Oxford Access sling
- Oxford Silkfit

▲ AVERTISSEMENT

Les lève-personnes Oxford doivent être manipulés exclusivement par du personnel soignant formé/compétent.

Durée de vie prévue

Les lève-personnes Oxford Professional sont conçus et testés pour une durée de vie minimum de dix (10) ans, si les consignes d'utilisation et d'entretien énoncées dans le présent manuel sont respectées. Toute utilisation non conforme aux consignes peut compromettre la durée de vie du matériel.

Signalement d'un incident grave

Tout incident survenant durant l'utilisation de ce produit et ayant des conséquences pour le patient et/ ou le professionnel de santé doit être porté à la connaissance du fabricant du produit ou du distributeur agréé. Si l'incident se produit au sein de l'Union européenne (UE), il doit également être signalé aux autorités compétentes de l'État membre.

3. Instructions de montage et de mise en service

Contenu de la boîte

Placez la boîte sur une surface bien dégagée et ouvrez-la avec précaution. Elle contient :

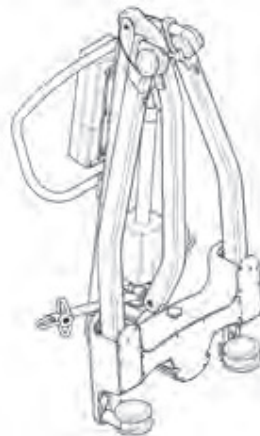
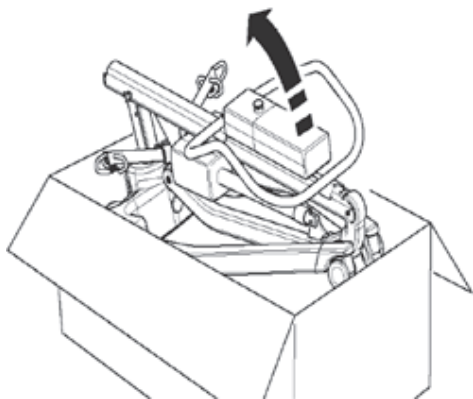
- L'APPAREIL OXFORD ADVANCE
- UNE POCHETTE CONTENANT DES DOCUMENTS
- UNE COMMANDE MANUELLE
- BATTERIES
- CHARGEUR DE BATTERIES AU PLOMB

REMARQUE CONCERNANT LA SÉCURITÉ: L'appareil Oxford Advance est lourd et devra être soulevé avec précaution. Il est possible que vous soyez obligé(e) de vous faire aider pour soulever l'appareil Oxford Advance et le sortir de la boîte.

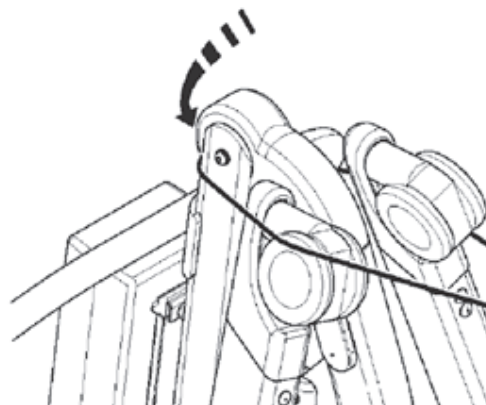
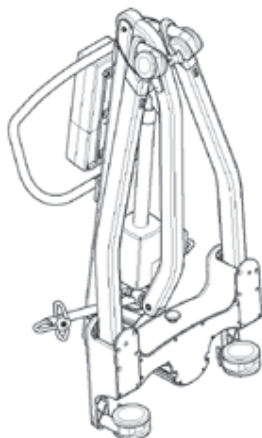
Instructions de montage

1. Retirez toutes les pièces de la boîte et placez-les par terre, en prenant soin de protéger le fini.

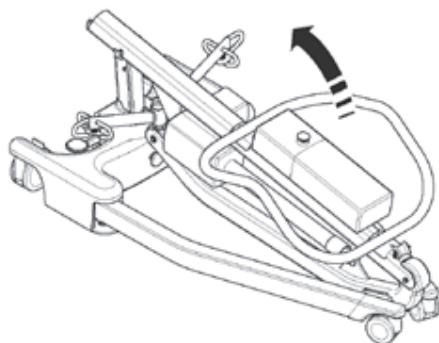
Avec précaution, soulevez l'appareil Advance de l'emballage. Mettez le lève-personne à la verticale (de manière à former un triangle).



2. Dégagez le pied et le mât en détachant la sangle de retenue des roues. Cette sangle rentrera dans le haut de la section du mât.

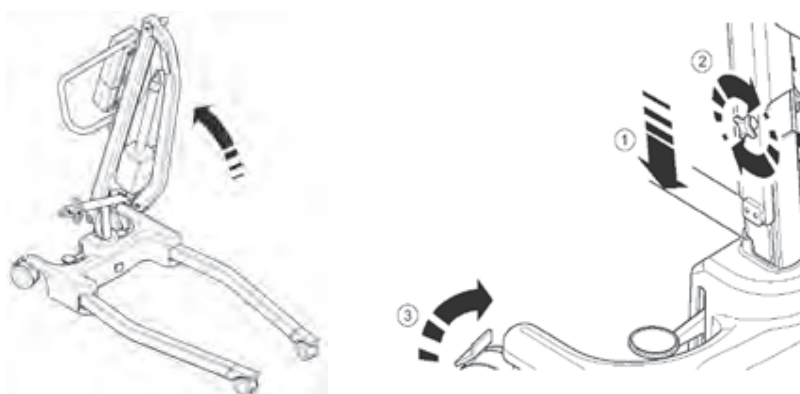


3. Mettez l'appareil Advance à plat sur le sol (assurez-vous que les roulettes arrière sont bien verrouillées).



4. En l'attrapant par le haut de la poignée, redressez le mât en position verticale de sorte à l'insérer dans la fente (1). Serrez les molettes de verrouillage du mât (2) et déverrouillez les roulettes (3).

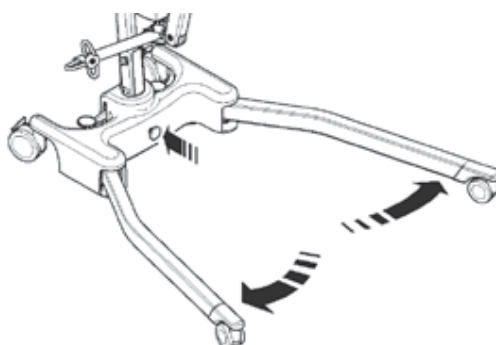
REMARQUE CONCERNANT LA SÉCURITÉ: Évitez de vous coincer les doigts. Lorsque vous insérez le mât dans la fente, gardez vos doigts à l'écart de l'extrémité du mât. Serrez le dispositif de verrouillage du mât, puis desserrez les freins des roulettes à l'arrière.



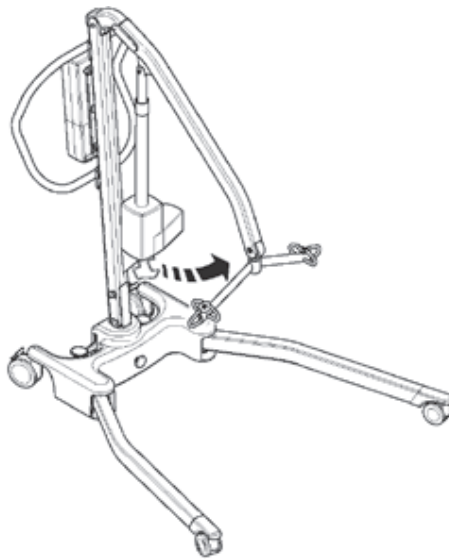
5. Écartez les pieds au maximum. ASSUREZ-VOUS que le bouton de verrouillage des pieds arrive à ras de la base et que les pieds ne puissent plus bouger. Les pieds ne fonctionneront alors qu'au moyen du mécanisme à pédale situé à l'arrière de la base.

⚠ AVERTISSEMENT

Si l'activation de la pédale NE permet PAS de régler les pieds, n'utilisez PAS le lève-personne. Vérifiez que le bouton de verrouillage des pieds est entièrement enfoncé. Si le bouton de verrouillage des pieds ne s'enfonce pas entièrement et si l'activation de la pédale ne permet pas de régler les pieds, N'UTILISEZ PAS le lève-personne et contactez votre revendeur Joerns Healthcare agréé afin de le faire inspecter, voire réparer.

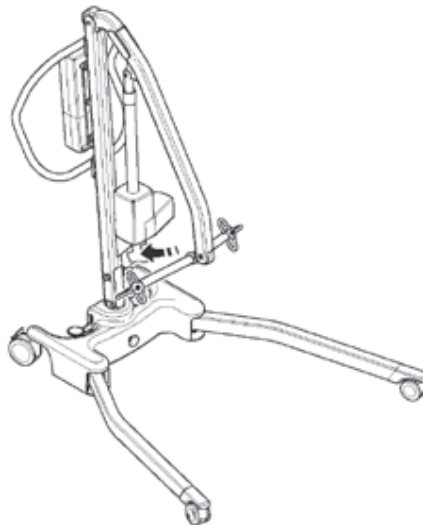


6. Libérez le fléau de son support de retenue. Le lève-personne est maintenant prêt à l'emploi.

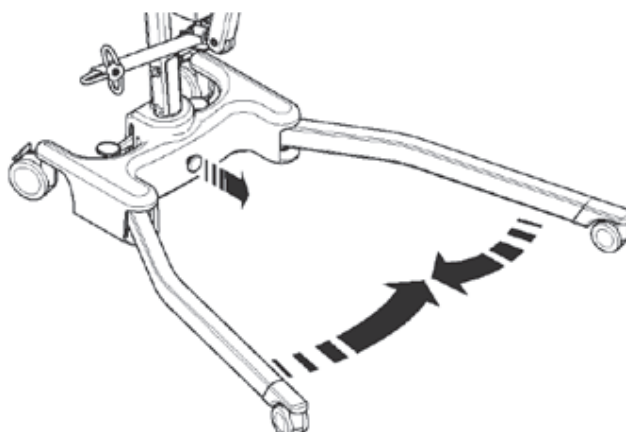


4. Démontage

1. Amenez le mât à la position la plus basse, puis insérez la barre d'écartement dans le berceau de retenue.



2. Relâchez le dispositif de verrouillage des pieds (en l'éloignant de la base moulée), rapprochez les pieds l'un de l'autre.

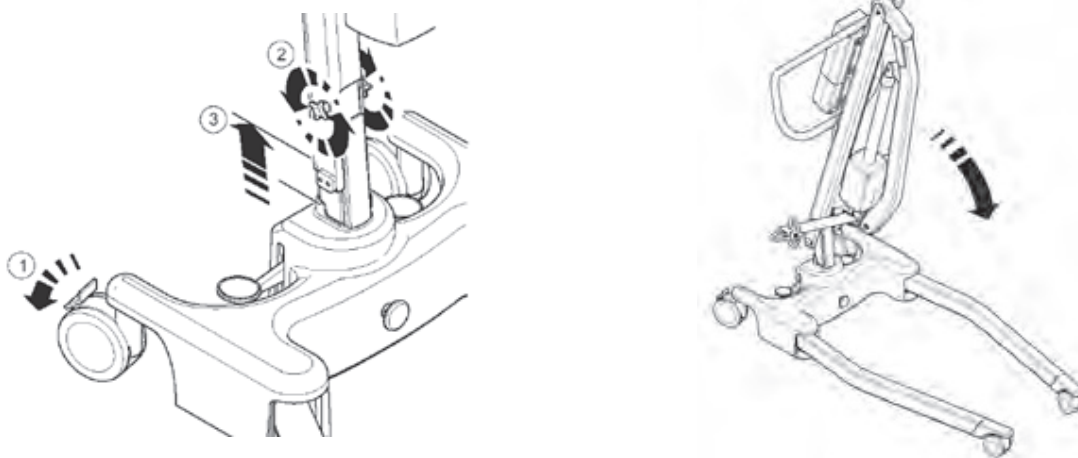


3. Desserrez suffisamment le dispositif de blocage du mât afin de pouvoir lever le mât. Levez le mât entièrement jusqu'à ce qu'il atteigne la butée d'arrêt. Pliez délicatement le mât en direction des pieds. Aidez-vous de la poignée pour faciliter cette action.

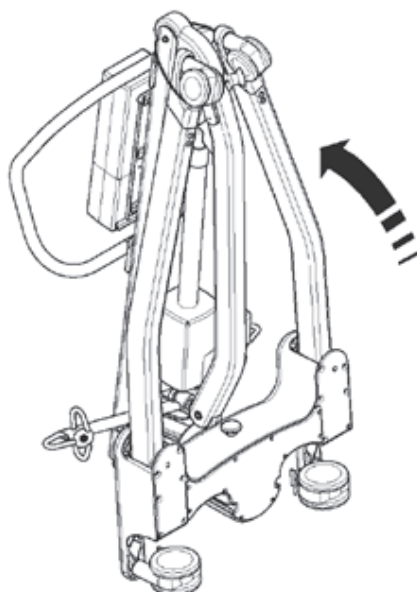
⚠ ATTENTION

Si, lorsque vous pliez le mât, vous sentez une résistance, **NE FORCEZ PAS**, relevez le mât jusqu'à la butée d'arrêt, puis réessayez de le plier.

REMARQUE: Si vous souhaitez séparer complètement le mât et la flèche de la base et des pieds, détachez le dispositif de verrouillage du mât (retirez-le) et soulevez le mât et la flèche pour les sortir complètement de la base. Prenez garde à ne pas desserrer le dispositif de verrouillage, le bouton et la fusée de centrage du mât.

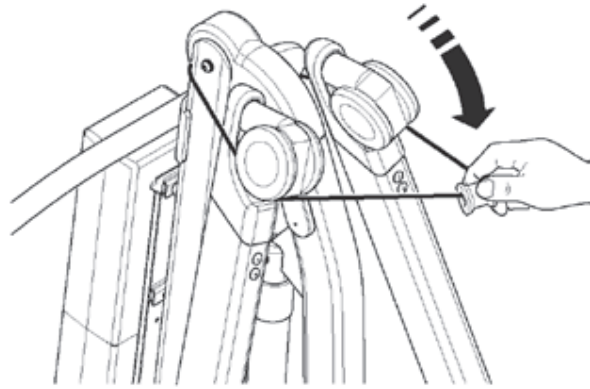


4. Soulevez l'appareil Advance verticalement (utilisez les pieds et la poignée de manœuvre comme guides) en veillant à ce que le mât et la flèche ne se séparent pas lorsque vous mettez l'appareil à la verticale.



5. D'un coup sec, tirez la sangle de retenue vers le haut et étendez-la au-dessus des roues. (Cela empêche les pieds, le mât et la flèche de se séparer durant le transport et l'entreposage).

REMARQUE: Prenez des précautions pour plier et déplier un appareil Advance, car vous risquez de vous pincer les doigts, etc. Veuillez suivre les instructions à la lettre et vous faire aider si vous n'êtes par certain(e) de la procédure correcte.



EFFECTUEZ TOUJOURS LES VÉRIFICATIONS SUIVANTES AVANT D'UTILISER L'APPAREIL :

- Les pieds sont complètement engagés depuis la position d'arrimage (voir les instructions de montage, 5).
- Le mât est complètement verrouillé en position (voir les instructions de montage, 4).
- Les pieds s'ouvrent et se ferment sans résistance lorsque la pédale est actionnée.
- Installez le bloc d'alimentation sur son support sur le mât et vérifiez que le loquet de retenue est entièrement enfoncé et émet un clic.
- Le bouton rouge d'arrêt d'urgence, situé sur le boîtier de commande, est en position sortie (OUT).
- Appuyez sur les boutons ÉLEVER et ABAISSER de la commande manuelle et vérifiez que le bras se déplace correctement.

5. Consignes de sécurité

Veillez lire et suivre les consignes de sécurité ci-dessous. Le fonctionnement et l'utilisation des lève-personnes Oxford sont simples et clairs. Si vous suivez ces quelques consignes de sécurité fondamentales, vous serez en mesure d'utiliser ce lève-personne facilement et sans problèmes.

AVANT D'UTILISER VOTRE LÈVE-PERSONNE « ADVANCE », LISEZ LES INSTRUCTIONS DU MANUEL D'UTILISATION ET VEILLENZ À BIEN LES COMPRENDRE

AVERTISSEMENT: Consigne de sécurité importante sur un danger pouvant entraîner des blessures graves.

ATTENTION: Consigne de précaution pour éviter d'endommager le produit.

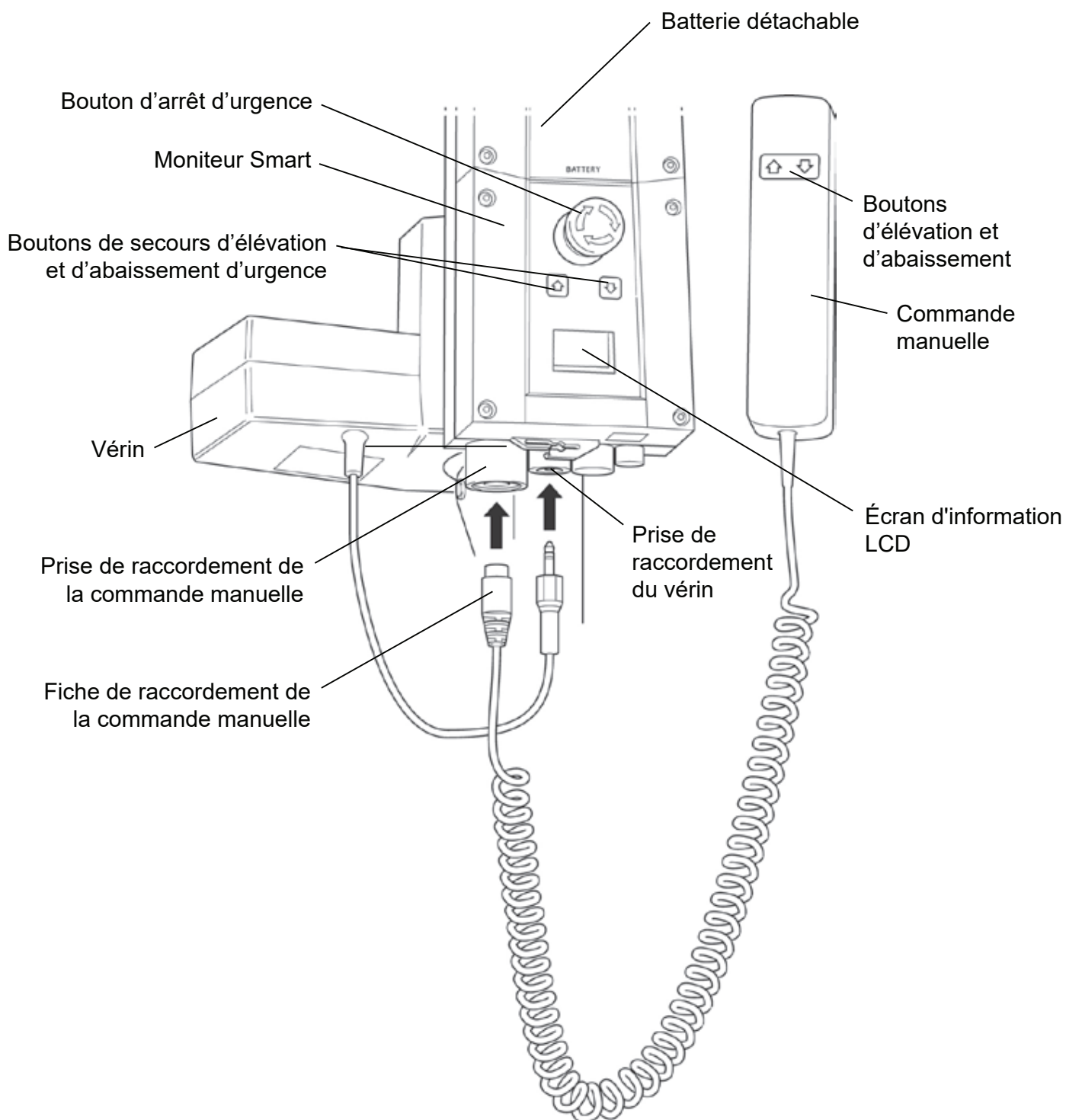
REMARQUE: Informations auxquelles il convient de prêter une attention particulière.

AVERTISSEMENT

- Les lève-personnes Oxford doivent être manipulés exclusivement par du personnel soignant formé/compétent.
- Planifiez **TOUJOURS** vos opérations de levage avant de commencer.
- Effectuez **TOUJOURS** les **VÉRIFICATIONS QUOTIDIENNES** avant d'utiliser le lève-personne.
- Familiarisez-vous **TOUJOURS** avec les commandes de fonctionnement et les dispositifs de sécurité d'un lève-personne avant de soulever un patient.
- **N'UTILISEZ PAS** de courroie, à moins que cela ne soit recommandé.
- Vérifiez **TOUJOURS** que la courroie convient au patient et qu'elle est de taille et de capacité appropriées.
- N'utilisez **JAMAIS** une courroie effilochée ou montrant des signes de détérioration.
- Ajustez **TOUJOURS** la courroie suivant les instructions fournies (consignes d'utilisation).
- Vérifiez **TOUJOURS** que la charge maximale d'utilisation du lève-personne est compatible avec le poids du patient.
- Effectuez **TOUJOURS** le levage suivant les instructions du manuel d'utilisation.
- Ne débranchez ni ne contournez **JAMAIS** une commande ou un dispositif de sécurité sous prétexte que cela semble plus facile pour utiliser le lève-personne.
- **NE SOULEVEZ PAS** un patient si les freins des roulettes sont serrés. Laissez toujours le lève-personne trouver le centre de gravité correct.
- **N'ESSAYEZ PAS** de manœuvrer le lève-personne en poussant le mât, la flèche ou le patient.
- Manœuvrez **TOUJOURS** le lève-personne à l'aide de la poignée fournie.
- Amenez **TOUJOURS** le patient à la position la plus basse et la plus confortable avant un transfert.

- **NE POUSSEZ PAS** un lève-personne chargé à des vitesses dépassant une allure de marche lente (3 kilomètres / heure, soit 0,8 mètres / seconde).
- **NE déplacez PAS** le lève-personne sur un terrain irrégulier ou accidenté, surtout en présence d'un patient.
- **N'ESSAYEZ PAS**, si les roulettes ne peuvent pas surmonter un obstacle au sol, de pousser / tirer un lève-personne chargé.
- **NE FORCEZ JAMAIS** une commande de fonctionnement / de sécurité. Toutes les commandes sont faciles à utiliser et ne nécessitent pas une force excessive.
- La charge **MINIMALE** requise pour abaisser manuellement le lève-personne à l'aide de la fonction d'abaissement mécanique d'urgence est de 30 kg.
- **NE RANGEZ** un lève-personne chargé sur **AUCUNE** surface inclinée.
- **N'UTILISEZ PAS** les lève-personnes électriques dans la douche.
- **NE CHARGEZ PAS** un lève-personne électrique dans une salle de bains ou une salle de douche.
- **NE SOULEVEZ PAS** un patient si vous n'avez ni l'expérience ni la compétence.
- **VOTRE** lève-personne est prévu pour soulever des patients. **NE L'UTILISEZ PAS**, et n'autorisez personne à s'en servir à d'autres fins.
- **NE HEURTEZ PAS** le lève-personnes en descendant des marches, qu'il soit chargé ou non.
- **N'ESSAYEZ PAS** de déplacer un lève-personne chargé sur une pente de plus de 1:12 (environ 5 degrés).
- **N'ESSAYEZ PAS** de monter ou de descendre une côte sans une autre personne à vos côtés.
- Vérifiez **TOUJOURS**, avant de bouger, que le lève-personne ne charge pas, car la connexion électrique peut être endommagée.

6. Moniteur Smart et commande manuelle



Utilisation prévue

Le moniteur Oxford Smart est un système de commande prévu pour les lève-personnes Oxford Mobile. Le moniteur Smart enregistre de précieuses données de service relatives à l'utilisation du lève-personne, lesquelles peuvent être consultées à tout moment, notamment :

- Nombre de cycles de levage des patients
- Charge de travail totale réalisée par le vérin
- Nombre de levages effectués en surcharge (tentatives de levage avec une charge supérieure à la charge maximale autorisée)
- Nombre de jours écoulés depuis le dernier entretien

Le moniteur Oxford Smart contient un microprocesseur qui permet de lire les données de service sur l'écran d'affichage LCD embarqué.

Caractéristiques

- Collecte des données dans la boîte de commande et affichage des données sur l'écran LCD
- Compteur d'opérations
- Compteur de cycles intelligent
- Indicateur d'entretien
- Indicateur d'intervalle entre 2 entretiens
- Informations sur l'utilisation en surcharge
- Indicateur de batterie à 3 témoins




Avantages

- Sécurité renforcée pour le patient et l'assistant
- Données de service précises sur simple activation d'un bouton
- Durée de vie prolongée du produit
- Simplicité d'entretien pour les ingénieurs et les techniciens
- Identification simple et rapide des erreurs

Écran d'affichage LCD

Le moniteur Oxford Smart permet l'affichage d'informations sur l'écran LCD. Il peut, par exemple, afficher le nombre total de cycles de levage, la charge de travail totale effectuée, les surcharges et le nombre de jours écoulés depuis le dernier entretien. Ces informations permettent de rapidement évaluer l'état du vérin du lève-personne.

Pour afficher ces informations, appuyez une demi-seconde sur le bouton 'HAUT' de la commande manuelle ou sur le bouton de secours 'HAUT' du moniteur Smart.

	12034	Total des cycles de levage
A*S	1257000	Total de la charge de travail effectuée (Ampères * Secondes)
	7	Nombre de surcharges
	90 / 180	Nombre de jours (depuis le dernier entretien) / Nombre de jours (entre deux entretiens)

Information sur l'entretien et l'utilisation



Quand arrive le moment de faire faire l'entretien, le symbole Service s'affiche à l'écran. De plus, lorsque la commande manuelle est activée, le moniteur Smart émet un signal sonore pour attirer l'attention de l'utilisateur sur le fait que l'entretien arrive à échéance.

Le symbole Service s'affichera à l'écran à chaque fois que les touches d'élévation ou d'abaissement sont actionnées sur la commande manuelle. Lorsque le symbole Service s'affiche, contactez immédiatement votre service d'entretien agréé pour prendre rendez-vous.

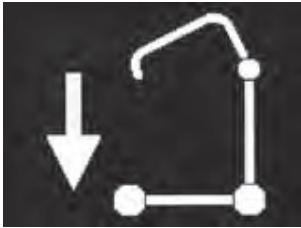


Si le lève-personne s'arrête en raison d'une surcharge (la charge à lever est supérieure à la charge maximale autorisée), le symbole de surcharge s'affiche sur l'écran LCD et le fonctionnement du lève-personne est interrompu jusqu'à ce que l'excès de charge ait été supprimé.

⚠ AVERTISSEMENT

Après la détection de surcharge par le lève-personne, Joerns Healthcare recommande d'effectuer TOUTES les vérifications de routine avant de réutiliser l'appareil (vous trouverez la liste des vérifications quotidiennes dans le manuel d'utilisation fourni avec le lève-personne). Joerns Healthcare vous recommande également de contacter votre service d'entretien agréé.

Commandes de secours embarquées



Les commandes de secours embarquées permettent de lever ou d'abaisser le lève-personne en situation d'urgence.

Niveau de batterie



Le symbole de la batterie pleine indique que la batterie est à pleine capacité et le lève-personne est prêt à l'emploi.



Le symbole de la batterie à moitié pleine indique qu'il est nécessaire de recharger la batterie.



Le symbole de la batterie vide indique que la batterie est complètement déchargée et doit être mise en charge immédiatement.

⚠ AVERTISSEMENT

Pour éviter tout endommagement irréversible de la batterie, il convient de mettre celle-ci en charge dès que l'écran affiche le symbole de la batterie à moitié pleine.

7. Instructions de fonctionnement

⚠ AVERTISSEMENT

Les lève-personnes Oxford doivent être manipulés exclusivement par du personnel soignant formé/compétent.

1. Réglage des pieds

Sur l'appareil Oxford Advance, la largeur des pieds est réglable. Ils peuvent être ouverts pour faciliter l'accès autour des fauteuils ou des chaises roulantes. Lors des transferts et pour permettre le passage du lève-personne par des embrasures de porte, les pieds doivent être ramenés en position fermée.

Le réglage des pieds se fait au moyen de la pédale d'ajustement située à l'arrière de la base. Enfoncez la pédale de droite pour augmenter l'écartement des pieds et enfoncez la pédale de gauche pour réduire l'écartement des pieds. Le réglage peut être effectué même pendant le transport d'un patient.

⚠ AVERTISSEMENT

Ne procédez jamais au levage/transfert d'un patient avec les pieds en position fermée/de transport (les roulettes avant se touchent). La position fermée/de transport est prévue uniquement pour le stockage et le transport.

2. Roulettes et freinage

Le lève-personne comporte deux roulettes à frein, qui permettent d'immobiliser l'appareil. Durant le levage, les roulettes doivent rester libres et non freinées, afin que le lève-personne puisse se diriger vers son centre de gravité. N'activez PAS les freins. Si les freins sont enclenchés, le patient pourra être balancé vers le centre de gravité, ce qui peut être stressant et désagréable.

3. Levage et abaissement de la flèche (modèles électriques)

Le mouvement de la flèche est transmis par un puissant actionneur électrique, qui est lui-même contrôlé par une simple unité de commande manuelle. La commande manuelle est munie de deux boutons sur lesquels se trouvent les flèches MONTER (vers le haut) et ABAISSER (vers le bas). L'actionneur s'arrête automatiquement en fin de course dans les deux sens. La commande manuelle se branche sur une prise située à la base du boîtier de commande. Un crochet situé à l'arrière de la commande manuelle permet de la « garer » sur le mât ou la flèche lorsqu'elle n'est pas en usage.

4. Arrêt d'urgence (modèle électrique uniquement)

Le bouton rouge d'arrêt d'urgence, situé à l'arrière du boîtier de commande, est activé lorsqu'on appuie dessus. Cela coupe l'alimentation du lève-personne, laquelle n'est rétablie que lorsque le bouton est tourné dans le sens antihoraire, puis relâché.

5. Commandes de secours

Tous les lève-personnes Oxford sont équipés de boutons d'élévation et d'abaissement sur le boîtier de commande. Ils sont situés sous le bouton d'arrêt d'urgence et peuvent servir à élever / abaisser le patient en cas de panne de la commande manuelle.

6. Descente mécanique d'urgence

En cas de coupure totale d'alimentation, le vérin électrique est doté d'un dispositif d'abaissement mécanique (RED BOSS). Celui-ci ne fonctionne que lorsque le lève-personne est chargé. Ce dispositif doit être tiré vers le haut pour s'activer après quoi une descente lente va commencer.

Remarque: La charge MINIMALE requise pour abaisser manuellement le lève-personne à l'aide de la fonction d'abaissement mécanique d'urgence est de 30 kg.

7. Batteries

Les batteries sont protégées contre les décharges poussées par une ALARME DE BASSE TENSION. Celle-ci retentit lorsque les batteries demandent à être rechargées et que la commande manuelle est en usage. Elle ne retentit pas si la commande manuelle n'est pas en usage.

ATTENTION: NE NÉGLIGEZ PAS CETTE ALARME. Achevez le levage et mettez l'appareil sous charge (voir instructions de charge).

8. Courroies

La sangle sélectionnée est accrochée aux crochets de la barre d'écartement. Chaque sangle est livrée avec des instructions. Prenez le temps de lire attentivement les instructions avant d'utiliser le lève-personne. Une fois la courroie correcte sélectionnée pour le patient, attachez-la aux crochets de la barre d'écartement.

REMARQUE : Pour toute instruction détaillée sur la mise en place, reportez-vous au guide d'utilisation fourni avec chaque courroie.

AVERTISSEMENT

Joerns Healthcare vous conseille de vérifier, régulièrement et avant toute utilisation, que vos courroies ne sont ni effilochées, ni endommagées. N'utilisez JAMAIS une courroie usagée ou endommagée.

AVERTISSEMENT

OXFORD RECOMMANDE L'UTILISATION DE PIÈCES OXFORD AUTHENTIQUES. Les produits de sangle et de levage Oxford sont conçus pour être compatibles ensemble. Pour les directives spécifiques à votre pays au sujet de l'utilisation d'élingues et de leur compatibilité, veuillez lire l'étiquette de l'élingue ou contacter votre revendeur local ou Joerns Healthcare.

AVERTISSEMENT

Respectez la charge maximale du lève-personne. La charge de la courroie est limitée par la charge maximale du lève-personne.

Instructions de charge

Lorsque le bloc d'alimentation nécessite d'être chargé, retirez-le du lève-personne et insérez-le dans le chargeur non transporté.

Joerns Healthcare recommande d'acheter un pack de batteries supplémentaire afin d'avoir toujours à disposition un pack chargé.

1. Retirez le bloc d'alimentation du lève-personne. Le bloc est maintenu en place par un simple loquet fixé en haut. Il suffit de soulever le loquet pour libérer le bloc d'alimentation.
2. Insérez le bloc d'alimentation dans le chargeur. L'orientation et l'enclenchement du bloc d'alimentation dans le chargeur sont les mêmes que lorsqu'il est branché dans le lève-personne.
3. Branchez la fiche du chargeur sur une prise de courant, puis mettez le chargeur **SOUS TENSION**.
4. La charge est automatique et se poursuivra sur une période de quatre (4) heures jusqu'à recharge complète des batteries.

Remarque : même si le chargeur reste branché pendant une période plus longue que nécessaire, la charge des batteries s'interrompt dès que celles-ci sont pleines. Il n'y a pas de risque de surcharge.

- a) Témoin vert - Chargeur sous tension.
- b) Témoin jaune - Charge en cours.
- c) L'extinction du témoin jaune indique que la batterie est entièrement chargée.

Remarque : Il est conseillé de charger la batterie dès réception de celle-ci.

5. Pour réutiliser le lève-personne, débranchez la fiche du chargeur et retirez le bloc d'alimentation du chargeur. Installez le bloc d'alimentation sur son support sur le mât et vérifiez que le loquet de retenue est entièrement enfoncé et émet un clic. Le processus de charge des lève-personnes électriques Oxford est simple, mais il est important de suivre attentivement les consignes énoncées. Prêtez une attention particulière aux points ci-dessous pour éviter tout problème de batteries déchargées.

AVERTISSEMENT

- **La batterie, le chargeur, la commande manuelle et la boîte de commande NE doivent PAS être ouverts par du personnel non autorisé. (Contactez votre distributeur pour toute information sur la garantie et les réparations).**
- **NE touchez PAS les bornes de la batterie/du chargeur.**
- **VEILLEZ à ce que les batteries restent en permanence complètement chargées. Pendant les périodes de non-utilisation du lève-personne, mettez la batterie en charge. Vous pouvez également mettre la batterie en charge la nuit. Le chargeur interrompt automatiquement la recharge dès que les batteries sont pleines. Il n'y a pas de risque de surcharge**
- **NE laissez JAMAIS les batteries se décharger complètement. Dès que l'avertisseur sonore retentit, terminez le levage en cours, puis mettez-les batteries en charge.**
- **Pour éviter tout endommagement irréversible de la batterie, il convient de mettre celle-ci en charge dès que l'écran affiche le symbole de la batterie à moitié pleine.**

- **N'entreposez JAMAIS** la batterie pendant une longue période sans le recharger régulièrement.
- **Veillez à TOUJOURS** mettre le chargeur hors tension avant de brancher ou de débrancher le bloc d'alimentation.
- **Ne laissez JAMAIS** le bloc d'alimentation branché au chargeur si ce dernier est hors tension.
- **NE LAISSEZ PAS** le chargeur sous tension si la batterie est débranchée.
- **N'UTILISEZ PAS** le lève-personne pendant qu'il est en charge.
- **VÉRIFIEZ** que le lève-personne n'est pas en charge avant de le déplacer afin d'éviter tout endommagement électrique.
- **NE DÉBRANCHEZ JAMAIS** le chargeur en tirant sur le câble.
- **VEILLEZ** à ne pas trébucher sur le câble du chargeur.
- **NE RECHARGEZ PAS** un lève-personne électrique dans une salle de bains ou une salle d'eau.

8. Périodicité d'entretien de l'appareil Oxford Advance

Tous les produits Oxford ont été conçus pour nécessiter un entretien minimum. Cependant, des contrôles et procédures de sécurité sont requis. Les contrôles quotidiens, l'inspection bi-annuelle et la révision/les tests annuels sont la garantie d'un état de fonctionnement optimal du lève-personne. Une liste des pièces détachées est disponible sur demande.

LISTE DE VÉRIFICATIONS QUOTIDIENNES

Joerns Healthcare conseille fortement d'effectuer les vérifications suivantes chaque jour et avant d'utiliser le lève-personne.

- VÉRIFIEZ que le lève-personne se déplace librement sur ses roulettes.
- ASSUREZ-VOUS que la barre d'écartement tourne et pivote facilement. Vérifiez qu'elle est bien fixée sur la flèche.
- RECHERCHEZ les signes d'usure sur les crochets des courroies de la barre d'écartement et sur les dispositifs de suspension latéraux. Dans le doute, ne les utilisez pas.
- INSPECTEZ les courroies afin de déceler tout éventuel signe d'effilochage ou d'usure. N'UTILISEZ PAS de courroie endommagée.
- ASSUREZ-VOUS que les pieds s'ouvrent et se referment correctement.
- VÉRIFIEZ que les pieds s'ouvrent et se ferment correctement et se verrouillent en position ouverte et fermée.
- VÉRIFIEZ que l'icône de la clé anglaise sur l'écran d'affichage de la boîte de commande n'est pas allumée et qu'aucun bip sonore n'est émis lorsque vous actionnez les boutons élever / abaisser.
- ASSUREZ-VOUS que l'alarme de batterie faible ne se déclenche pas lorsque la commande manuelle est actionnée (lève-personne électrique uniquement). Si l'alarme retentit, N'UTILISEZ PAS l'appareil et mettez-le sous charge immédiatement.
- Les appareils électriques ACTIVÉS permettent de vérifier le fonctionnement du bouton d'arrêt d'urgence.
- INSPECTEZ VISUELLEMENT toutes les fixations et vérifiez qu'elles sont bien serrées avant utilisation.

ENTRETIEN, INSPECTION ET ESSAIS

Joerns Healthcare recommande d'effectuer régulièrement une inspection et des essais poussés du lève-personne Oxford Advance et des accessoires, courroies, etc. La fréquence des inspections varie selon l'endroit. Veillez vous renseigner auprès de votre revendeur et / ou d'un organisme gouvernemental local sur la périodicité requise des inspections. Les examens et les essais doivent être effectués suivant les recommandations et les procédures énoncées dans le présent manuel. Dans la mesure du possible, Joerns Healthcare recommande que l'entretien, les inspections et les essais certifiés soient effectués uniquement par un agent d'entretien ou un revendeur agréé.

REMARQUE: Ces recommandations sont conformes aux normes d'Hygiène et de Sécurité No2307 de 1998. Réglementations sur les opérations et l'équipement de levage 1998. Il s'agit d'une réglementation du Royaume-Uni. En dehors du Royaume-Uni, veuillez vous renseigner sur les règlements de votre pays.

Nettoyage

Nettoyez au savon ordinaire et à l'eau et /ou avec un désinfectant pour surfaces dures. Les produits de nettoyage chimiques corrosifs ou les abrasifs doivent être évités, car ils peuvent endommager le fini du lève-personne. Évitez de mouiller les pièces électriques. Après le nettoyage, l'appareil doit être soigneusement séché.

Mise au rebut en fin de vie

Batterie : Les batteries présentes dans le produit et tout accessoire connexe doivent être recyclés séparément. Les batteries doivent être éliminées conformément aux réglementations locales et nationales en vigueur.

Sangles : Les sangles et accessoires connexes doivent être éliminés avec les déchets combustibles conformément aux réglementations locales et nationales en vigueur.

***CES VÉRIFICATIONS DOIVENT PORTER SUR:**

	Initialement	Avant utilisation	Intervalles d'entretien
1. BARRE D'ÉCARTEMENT: Vérifiez que la barre d'écartement tourne et pivote librement. Vérifiez l'absence d'usure sur le pivot central. Assurez-vous qu'elle est solidement fixée sur la flèche.	✓	✓	✓
2. FLÈCHE : Vérifiez que la flèche est fixée sur le mât. Assurez-vous que le mouvement latéral de la flèche est minimal et qu'elle tourne librement sur son roulement.	✓	✓	✓
3. MÂT : Vérifiez le fonctionnement du dispositif de verrouillage du mât. Assurez-vous que le mât s'engage entièrement dans la douille. Vérifiez le montage de l'actionneur inférieur.	✓	✓	✓
4. ACTIONNEUR : Hormis la vérification du bon fonctionnement et la recherche de bruits inhabituels, l'actionneur ne nécessite en principe aucun entretien.			✓
5. MONITEUR SMART : Vérifiez le bon fonctionnement du bouton d'arrêt d'urgence. Vérifiez le branchement de la prise de la commande manuelle. Vérifiez le fonctionnement de la commande manuelle. Vérifiez que les commandes de secours fonctionnent correctement. ATTENTION: La charge MINIMALE requise pour abaisser manuellement le lève-personne à l'aide de la fonction d'abaissement mécanique d'urgence est de 30 kg.	✓	✓	✓
6. BATTERIES : Les batteries sont logées dans le bloc d'alimentation et, à l'exception de recharges régulières effectuées conformément aux instructions de charge, elles ne nécessitent en principe aucun entretien. Veillez à ce que les connexions restent propres.			✓
7. RÉGLAGE DES PIEDS: Vérifiez que les pieds s'étendent complètement dans les deux sens (vers l'intérieur et vers l'extérieur).	✓	✓	✓
8. ROULETTES : Vérifiez que toutes les roulettes sont solidement fixées sur les pieds. Vérifiez que les roulettes et les roues tournent librement.	✓	✓	✓
9. NETTOYAGE : Nettoyez au savon ordinaire et à l'eau et /ou avec un désinfectant pour surfaces dures. Les produits de nettoyage chimiques corrosifs ou les abrasifs doivent être évités, car ils peuvent endommager le fini du lève-personne. Évitez de mouiller les pièces électriques. Après le nettoyage, l'appareil doit être soigneusement séché.		✓	✓
10. ESSAI DE CHARGE: L'essai de charge doit être réalisé selon les exigences et procédures d'essai énoncées par le fabricant et détaillées dans la norme EN ISO 10535:2006 - Annexe B - Contrôle périodique B1, dont un extrait est fourni ci-dessous. Il est vivement recommandé de faire appel à un service agréé pour la réalisation de l'essai.			✓
11. BASE ET ROUES : Assurez-vous que la base est régulière et nivelée (les quatre roues reposent sur le sol).	✓	✓	✓
12. COURROIES : Vérifiez qu'elles ne sont pas usées, ni effilochées.	✓	✓	✓

	Initialement	Avant utilisation	Intervalles d'entretien
13. LUBRIFICATION : Huilez les joints pivotants, y compris les pièces reliant le mât et la flèche, l'ensemble de la pédale, la barre d'écartement et le joint (seulement si nécessaire).			✓
14. LUBRIFICATION : Huilez les joints pivotants, y compris les connexions du mât et du bras, la pédale et le joint de l'arceau à 6 points (seulement si nécessaire) avec un lubrifiant de qualité alimentaire.			✓

EN ISO 10535:2006

Annexe B

(Texte fourni à titre informatif)

Contrôle périodique

B. 1 Le contrôle périodique du lève-personne doit être effectué aux intervalles spécifiés par le fabricant et au moins une fois par an. Le contrôle périodique consiste en une inspection visuelle (en particulier de la structure portante et du mécanisme de levage du lève-personne, ainsi que les accessoires, freins, commandes, dispositifs de sécurité et dispositif de soutien), ainsi que tous les essais de fonction et les mesures de maintenance éventuellement requis, comme le réglage des freins et le serrage des éléments de fixation et de visserie.

Chaque inspection doit prévoir un essai de charge en situation réelle d'un (1) cycle de levage à charge maximale.

9. Spécifications Techniques

Charge maximale d'utilisation	341 livres	155Kgs
Longueur maximale hors tout	51 pouces	1300mm
Longueur minimale hors tout	49 pouces	1250mm
Hauteur maximale hors tout.....	73 pouces	1860mm
Hauteur minimale hors tout.....	53,5 pouces	1360mm

Dimensions de l'appareil replié

Hauteur	17,1 pouces	450mm
Profondeur	46,4 pouces	1180mm
Largeur.....	21,6 pouces	550mm

Hauteur maximale de la barre d'écartement.....	66,5 pouces	1690mm
Hauteur minimale de la barre d'écartement (utilisable)	15,3 pouces	390mm
Hauteur à portée maximaleum	46 pouces	1170mm
Portée à hauteur maximaleum	25,6 pouces	650mm
Portée à hauteur minimaleum	13,7 pouces	350mm
Portée maximaleum*	32,8 pouces	835mm
Rayon de braquage.....	55,9 pouces	1420mm
Pieds ouverts - largeur extérieure	42,5 pouces	1080mm
Pieds ouverts - largeur intérieure	39,3 pouces	1000mm
Pieds fermés - largeur extérieure	26,3 pouces	670mm
Pieds fermés - largeur intérieure	22,4 pouces	570mm
Hauteur des pieds, hors tout.....	4,5 pouces	115mm
Garde au sol	1,1 pouces	30mm
Roulettes jumelées avant.....	3,0 pouces	75mm
Roulettes arrière à freins.....	3,9 pouces	100mm

*Portée = distance entre le centre de la barre d'écartement et l'avant du mât

Poids

Ensemble mât, base et flèche	63,1 livres	28,9kgs
Bloc d'alimentation	6,6 livres	3.0kgs
Total	70,3 livres	31,9kgs
Base (sans la batterie)	32,8 livres	14,9kgs
Mât et flèche (sans la batterie)	30,9 livres	14,00kgs

Toutes les mesures sont indiquées avec une tolérance de +5 / -5.

SPÉCIFICATIONS ÉLECTRIQUES:

BATTERIES.....	24 volts, type plomb-acide, scellées rechargeables
CAPACITÉ DES BATTERIES.....	3,2 A/h
VALEURS NOMINALES D'ENTRÉE DU CHARGEUR	100 - 240 V CA 50/60 Hz Max 400mA
VALEURS NOMINALES DE SORTIE DU CHARGEUR...	27.4/29.0 VDC@0.8A

PROTECTION CONTRE LES DÉCHARGES ÉLECTRIQUES

CHARGEUR.....	CLASSE II (EN 60601-1)
LÈVE-PERSONNE.....	SOURCE D'ALIMENTATION INTERNE

DEGRÉ DE PROTECTION CONTRE LES DÉCHARGES

CHARGEUR.....	TYPE B (EN 60601-1)
LÈVE-PERSONNE.....	TYPE B (EN 60601-1)

CONDITIONS ENVIRONNEMENTALES

En dehors de ce type d'environnement le fonctionnement et la sécurité de l'appareil peuvent être compromis.

FONCTIONNEMENT :

TEMPÉRATURE	5°C à 40°C
HUMIDITÉ RELATIVE.....	20% à 90% @ 30°C - sans condensation
PRESSION ATMOSPHÉRIQUE.....	700 à 1060 hPa

ENTREPOSAGE :

TEMPÉRATURE	-10°C à +50°C
HUMIDITÉ RELATIVE.....	20% à 90% @ 30°C - sans condensation
PRESSION ATMOSPHÉRIQUE.....	700 à 1060 hPa

PROTECTION D'ENTRÉE

BOÎTIER DE COMMANDE	IPX4
ACTIONNEUR	IPX4
CHARGEUR NON TRANSPORTÉ	IPX5
BATTERIE	IPX5
COMBINÉ	IPX5

CYCLES DE SERVICE

ACTIONNEUR	10% (2 min./18 min.)
CHARGEUR	Environ 4 heures

ACOUSTIQUE

Niveau sonore pondéré A	60 dB (A)
-------------------------------	-----------

PRINCIPAUX SYMBOLES:

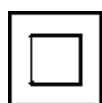
Vous trouverez les symboles suivants sur le chargeur, l'unité de commande et la batterie :



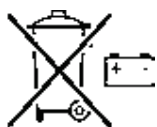
Ce produit est un dispositif médical conforme à la directive relative aux dispositifs médicaux 2017/745.



Équipement de type B, conformément à EN 60601-1



Équipement de Classe 2



Ne pas jeter la batterie avec les déchets ménagers. Les batteries doivent être éliminées conformément aux réglementations locales et nationales en vigueur.



Ne pas jeter les composants électroniques avec les déchets ménagers.



Utilisation à l'intérieur



ATTENTION, consultez les documents fournis.



Se référer aux instructions d'utilisation avant utilisation.

Numéro DEEE : WEE/GG0464RZ

10. Garantie

Joerns Healthcare possède un réseau d'agents de service et de distributeurs agréés qui se feront un plaisir de répondre à vos questions relatives à l'achat, la garantie, la réparation et l'entretien de votre matériel. Nous vous recommandons de confier la mise en service de nos produits à votre agent de service ou distributeur agréé.

Le programme de garantie est assuré par votre distributeur ou l'agent de service, il est donc important de conserver soigneusement ses coordonnées (nom, adresse et numéro de téléphone) afin de pouvoir le contacter en cas de problème. Au cas de doute sur le lieu d'achat de votre lève-personne, Joerns Healthcare est en mesure d'identifier votre fournisseur à partir du numéro de série du lève-personne.

Toutes les réclamations au titre de la garantie sont conditionnées à l'usage et à l'entretien corrects et conformes au manuel d'utilisation livré avec chaque appareil. Tout endommagement résultant d'une utilisation dans des conditions inadaptées ou du non-respect des consignes d'entretien et d'utilisation n'est pas couvert par la garantie. La garantie ne porte pas atteinte à vos droits légaux.

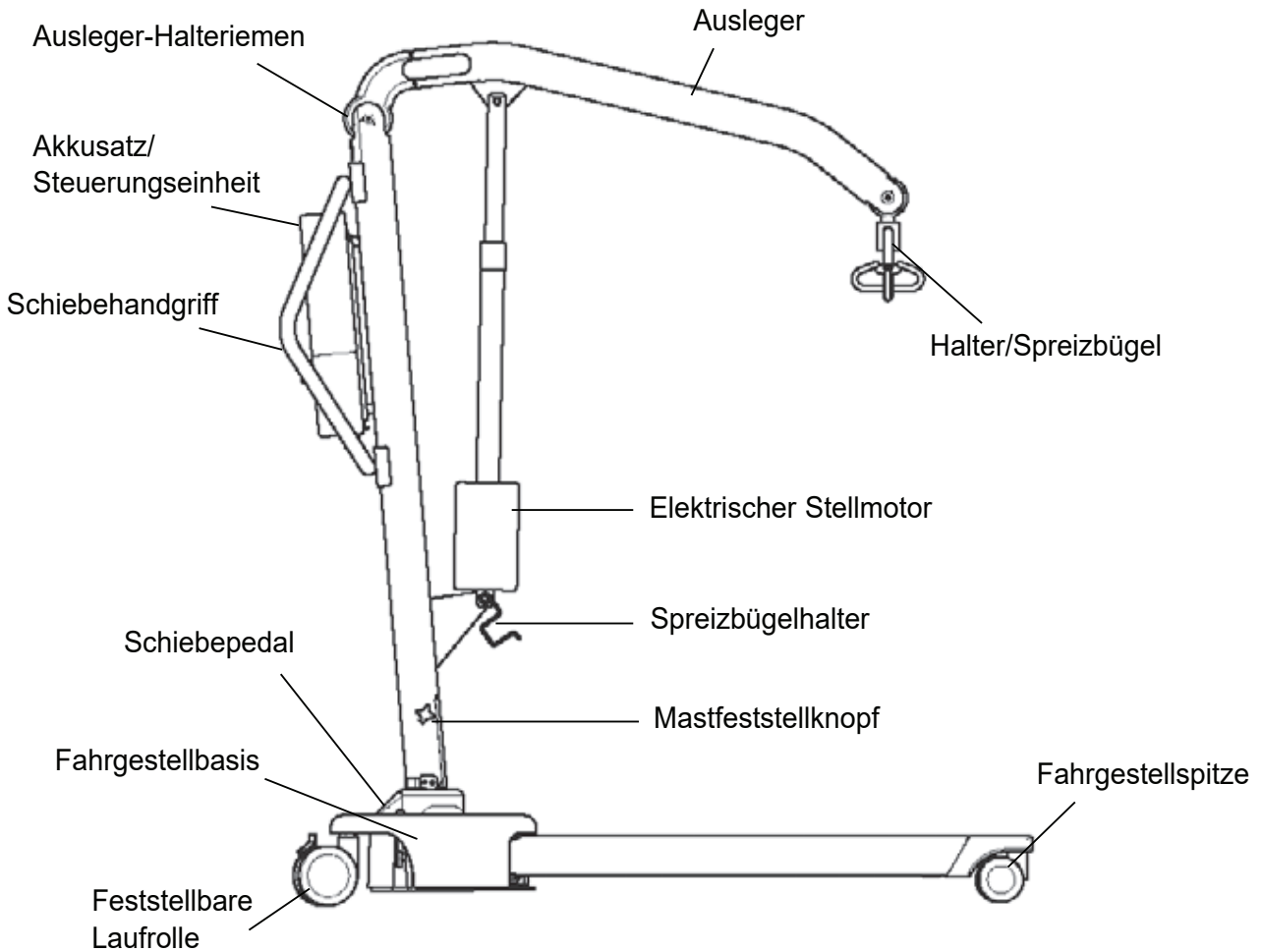
N'OUBLIEZ PAS: Contactez votre agent de service ou distributeur agréé pour vos achats, réparations, entretiens et maintenances certifiées.

Inhalt

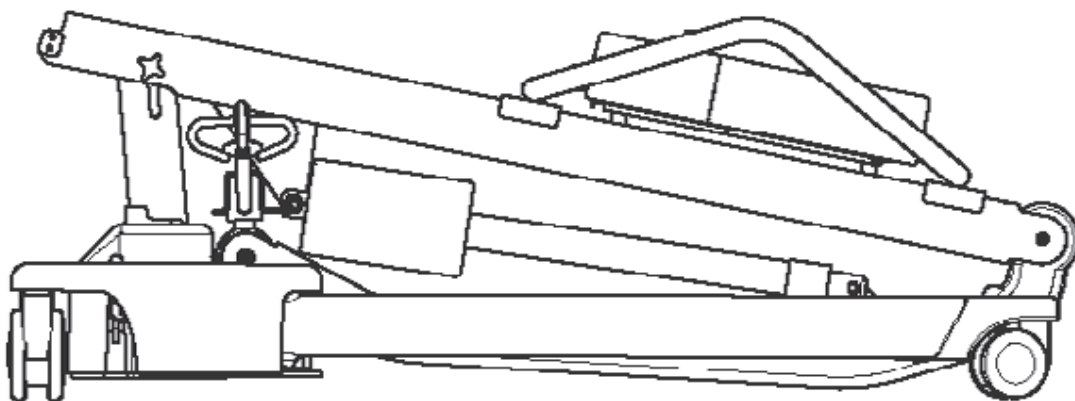
1. Oxford Advance Patientenlifter	55
2. Einführung: Oxford Advance Patientenlifter	56
3. Montage und Inbetriebnahme	57
4. Demontage.....	59
5. Sicherheitshinweise.....	62
6. Smart Monitor und Handbedienung	64
7. Bedienungshinweise	68
8. Wartungsplan und tägliche Prüfliste	72
9. Technische Daten	76
10. Garantie.....	79

1. Oxford Advance Patientenlifter

Oxford Advance Lifter (betriebsbereit)



Oxford Advance Lifter (zusammengeklappt)



2. Einführung: Oxford Advance Patientenlifter

Der Lifter wird vor der Auslieferung vollständig montiert, unter Last getestet und zertifiziert.

Die Verpackung besteht aus einem festen, zweckmäßig geformten Versandkarton für den sicheren Transport des Lifters und wird sowohl für den heimischen Markt als auch für den Export verwendet. Mit jedem Lifter werden die zugehörigen Dokumente in einer beiliegenden Tasche geliefert, die für die spätere Verwendung sicher aufbewahrt werden müssen.

- PRÜFZERTIFIKAT
- BENUTZERHANDBUCH

Das PRÜFZERTIFIKAT ist ein wichtiges Dokument und sollte für Referenzzwecke aufbewahrt werden. Für die ordnungsgemäße Wartung Ihres Lifters befolgen Sie bitte den Wartungsplan, der in diesem Dokument enthalten ist. Wenn Sie unsicher sind, welche Wartungsanforderungen für Ihren lokalen Markt gelten, erkundigen Sie sich bei Ihrem Händler und/oder bei der zuständigen Behörde.

⚠️ WARNUNG

Vor dem täglichen Gebrauchs Ihres Patientenlifters müssen die in der täglichen Checkliste in dieser Anleitung aufgeführten Überprüfungen durchgeführt werden.

Das CE-Zeichen: Der Oxford Advance trägt das CE-Zeichen und erfüllt die folgenden EU-Richtlinien:



- Richtlinie über Medizinprodukte (93/42/EWG)
- Richtlinie zur elektromagnetischen Verträglichkeit (EN60601-1-2:2015)
- Niederspannungsrichtlinie (73/23/EWG)

Sachgemäße Anwendung des Lifters

Die bestimmungsgemäße Verwendung dieser Hebevorrichtung ist das sichere Heben und Umlagern einer Person von einer Ruhefläche zu einer anderen (wie etwa von einem Bett in einen Rollstuhl).

Joerns Healthcare empfiehlt, für die Umlagerung von Patienten eine vollständige Risikoanalyse durchzuführen und nur über kurze Entfernung umzulagern. Der Oxford Advance ist für Patienten in SITZENDER, SITZENDER/LIEGENDER und LIEGENDER Position geeignet.

Der Oxford Advance ist dafür ausgelegt, die sichere Handhabung und das sichere Umlagern von Patienten sowohl für den Patienten als auch für die Pflegeperson zu unterstützen und zu fördern. Zum Falten ist kein Werkzeug erforderlich und er kann damit auch in beengten Platzverhältnissen einfach eingelagert werden. Der Oxford Advance kann auch in zwei Teile zerlegt werden, um den Transport in Fahrzeugen mit einem geeigneten Kofferraum zu ermöglichen.

Der Oxford Advance Patientenlifter verfügt über einen 6-Punkt-Spreizbügel und ist für die Verwendung mit Oxford Gurten ausgelegt. Beispiele für Gurte, die für dieses Gerät geeignet sind, werden wie folgt angegeben:

- Oxford Quickfit
- Oxford Quickfit Deluxe
- Oxford Long Seat
- Oxford Full Back
- Oxford Access sling
- Oxford Silkit

⚠️ WARNUNG

Oxford Patientenlifter dürfen nur von entsprechend geschultem/sachkundigem Pflegepersonal bedient werden.

Erwartete Lebensdauer

Oxford Professional Patientenlifter sind für eine Lebensdauer von mindestens zehn (10) Jahren ausgelegt und geprüft, vorausgesetzt, die in diesem Handbuch beschriebenen Verfahren für Gebrauch und Wartung werden eingehalten. Bei einer Verwendung, die nicht den Angaben in dieser Anleitung entspricht, kann die Lebensdauer beeinträchtigt werden.

Meldung von schwerwiegenden Vorfällen

Wenn ein schwerwiegender Vorfall beim Gebrauch dieses Produkts auftritt, der sich auf den Patienten und/oder die Pflegeperson auswirkt, muss dieser dem Hersteller des Produkts oder dem autorisierten Fachhändler gemeldet werden. Sollte der Vorfall innerhalb der Europäischen Union (EU) auftreten, muss er auch die Behörde vor Ort gemeldet werden, die im jeweiligen Mitgliedstaat zuständig ist.

3. Montage und Inbetriebnahme

Kartoninhalt

Stellen Sie den Versandkarton in einem freien Arbeitsbereich auf, und öffnen Sie ihn vorsichtig. Der Karton enthält folgende Teile:

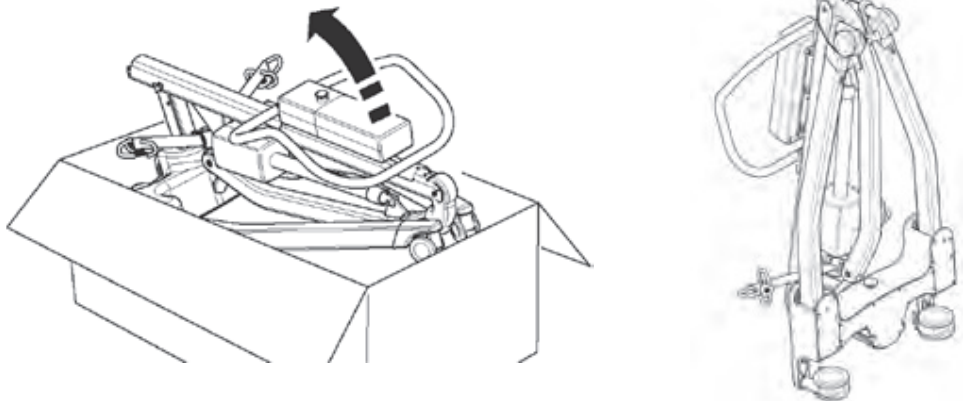
- OXFORD ADVANCE
- TASCHE MIT DOKUMENTEN
- HANDBEDIENUNG
- AKKUEINHEIT
- AKKULADEKABEL

SICHERHEITSHINWEIS: Der Oxford Advance ist schwer und muss vorsichtig gehoben werden. Holen Sie sich Hilfe, um den Oxford Advance aus dem Karton zu heben.

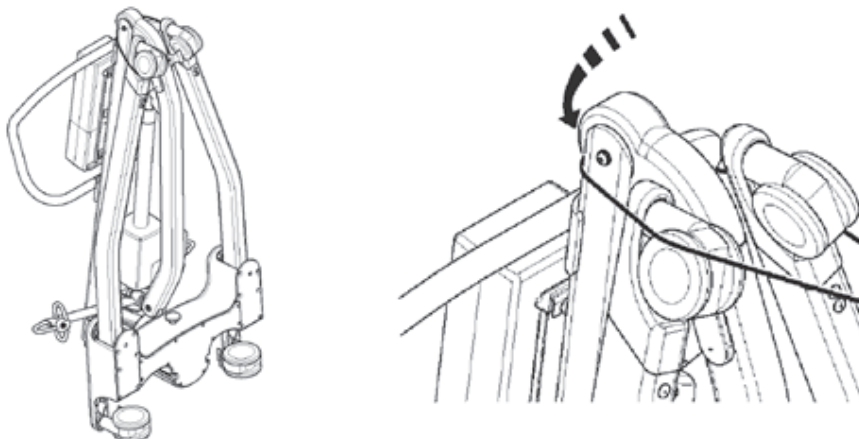
Montageanweisungen

1. Nehmen Sie alle Teile aus dem Karton heraus, legen Sie sie auf den Boden und achten Sie darauf, dass die Oberfläche des Geräts nicht beschädigt wird.

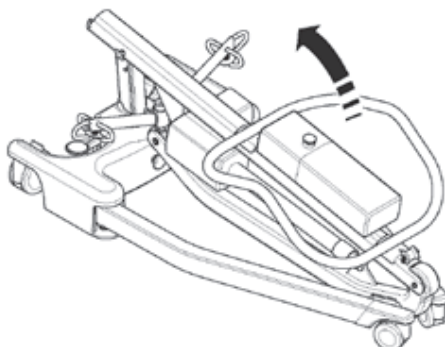
Heben Sie den Advance vorsichtig aus dem Karton heraus. Stellen Sie den Lifter hochkant (Dreiecksstellung).



2. Lösen Sie Fahrgestell und Mast-Baugruppe, indem Sie den Halteriem von den Rädern entfernen. Der Riemen wird im oberen Bereich des Mastes eingezogen.

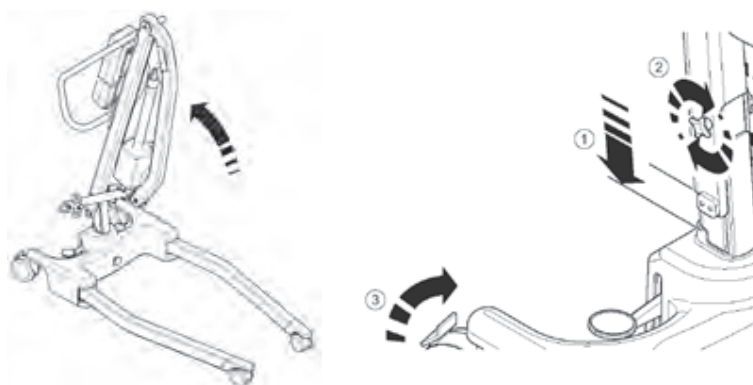


3. Legen Sie den Advance flach auf den Boden (vergewissern Sie sich, dass die hinteren Laufrollen festgestellt sind).



4. Heben Sie den kompletten Mast aufrecht an (mit der Oberseite des Schiebegriffs) und senken Sie den Mast so in die Aussparung (1) ausgerichtet sind, ziehen Sie die Einrastknöpfe für den Mast (2) fest und lösen Sie die Bremse an den Lenkrädern (3).

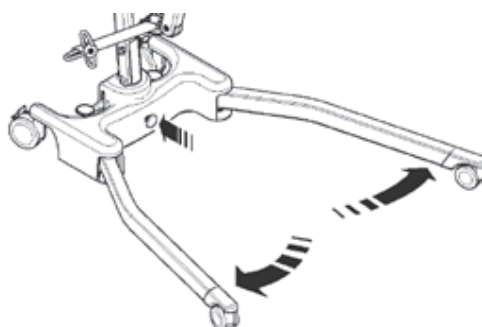
SICHERHEITSHINWEIS: Quetschgefahr: Halten Sie die Finger vom Mastende fern, wenn Sie den Mast in die Mastaufnahme einsetzen. Ziehen Sie den Mast-Feststellknopf fest, und lösen Sie die festgestellten hinteren Laufrollen.



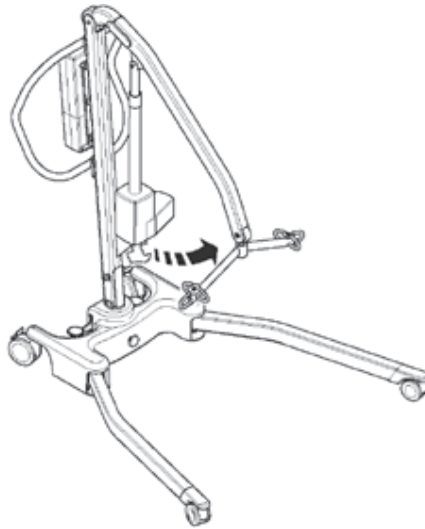
5. Spreizen Sie die Träger des Fahrgestells vollständig auf. VERGEWISSERN SIE SICH, dass die Fahrgestellsicherung ganz in das Gussteil hineingedrückt ist und das Fahrgestell sich nicht mehr frei bewegen lässt. Die Träger lassen sich dann nur noch mit dem Fußpedal auf der Rückseite der Basis verstellen.

⚠️ WARNUNG

Wenn das Fahrgestell durch die Betätigung des Fußpedals NICHT verstellt wird, benutzen Sie den Patientenlifter NICHT. Überprüfen Sie, dass die Fahrgestellsicherung ganz hineingedrückt ist. Wenn die Fahrgestellsicherung nicht ganz hineingedrückt werden kann und das Fahrgestell durch die Betätigung des Fußpedals NICHT verstellt wird, wenden Sie sich an Ihren autorisierten Joerns Healthcare Fachhändler für eine Überprüfung und Reparatur.

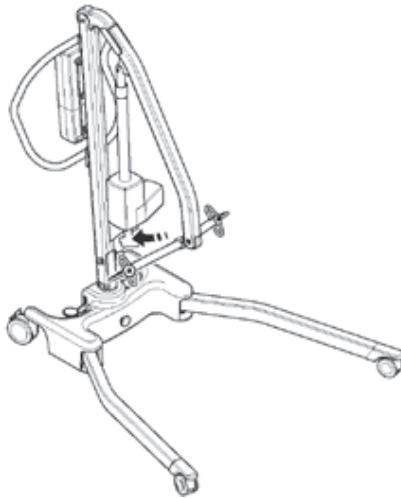


6. Lösen Sie den Spreizbügel von der Halterung. Der Patientenlifter ist jetzt betriebsbereit.

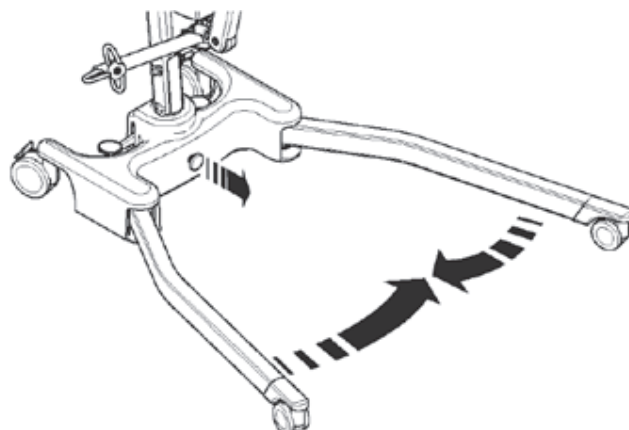


4. Demontage

1. Senken Sie den Mast in die niedrigste Position, und setzen Sie dann den Spreizbügel in den Spreizbügelhalter.



2. Lösen Sie die Fahrgestellsicherung (aus der Fahrgestellbasis ziehen) und führen Sie die Fahrgestellträger eng zusammen.

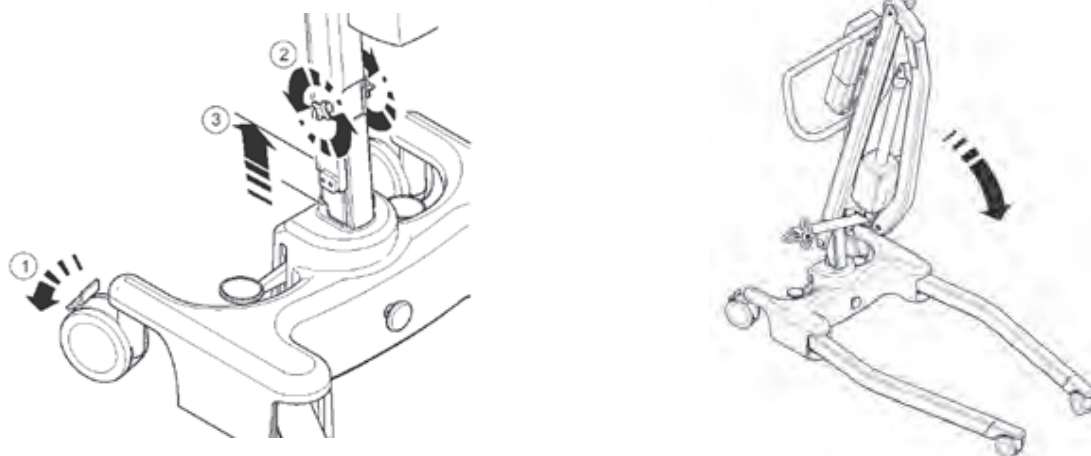


3. Lösen Sie den Mastfeststellknopf so weit, dass der Mast nach oben angehoben werden kann. Heben Sie den Mast ganz an, d.h., bis der obere Anschlag erreicht ist. Falten Sie den Mast vorsichtig zum Fahrgestell hin. Verwenden Sie dazu den Schiebegriff.

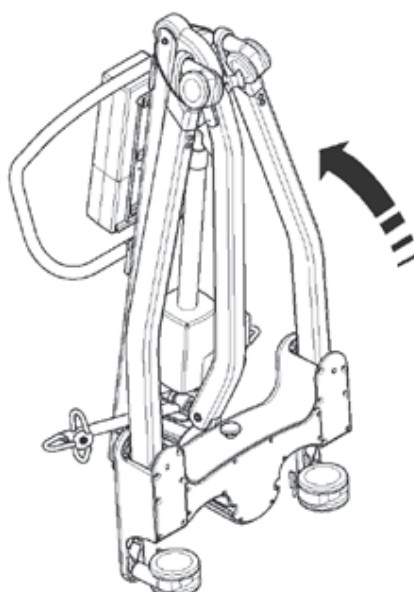
⚠ HINWEIS

Wenn Sie beim Falten des Masts einen Widerstand feststellen, wenden Sie **KEINE Gewalt an**. Heben Sie den Mast wieder an, bis der obere Anschlag erreicht ist und versuchen Sie dann erneut, ihn zu falten.

HINWEIS: Wenn Sie Mast und Ausleger von Fahrgestellbasis und -trägern trennen möchten, drehen Sie die Mast-Feststellknöpfe vollständig heraus (entfernen), und heben Sie Mast und Ausleger vollständig aus der Basis. Achten Sie darauf, dass Knopf und Positionszapfen der Mastsicherung nicht gelöst werden.

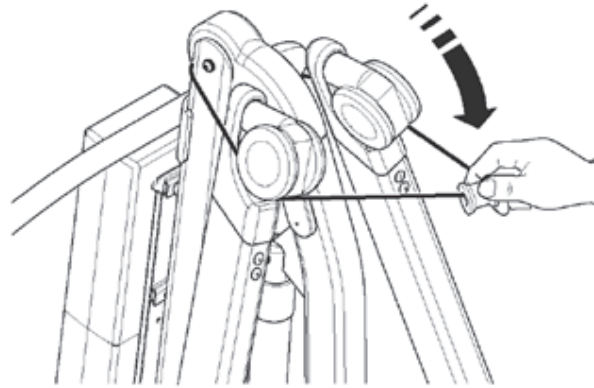


4. Stellen Sie den zusammengeklappten Advance hochkant (mit Fahrgestellträgern und Schiebegriff führen), und achten Sie darauf, dass Mast und Ausleger beim Hochstellen zusammen bleiben.



5. Ziehen Sie den Halteriemen steil nach oben, und legen Sie ihn über die Laufrollen. (Mit dem Riemen werden Fahrgestell, Mast und Ausleger für Transport und Lagerung arretiert).

HINWEIS: Das Zerlegen bzw. Aufstellen des Advance ist mit Vorsicht auszuführen, da die Gefahr besteht, dass Finger oder andere Körperteile beteiligter Personen gequetscht werden. Befolgen Sie strikt die Anweisungen, und holen Sie sich Hilfe, wenn Ihnen die korrekte Vorgehensweise nicht klar ist.



PRÜFEN SIE VOR DEM BETRIEB STETS DIE FOLGENDEN PUNKTE

- Die Fahrgestellträger sind vollständig gespreizt und gesichert (siehe Montageanweisungen, 5).
- Der Mast ist ordnungsgemäß in seiner Lage gesichert (siehe Montageanweisungen, 4)
- Das Fahrgestell lässt sich ordnungsgemäß öffnen und schließen, wenn das Fußpedal betätigt wird.
- Bringen Sie die Akkueinheit an der Halterung am Mast an und vergewissern Sie sich, dass die Sicherungsverriegelung ganz arretiert ist und hörbar einrastet (Klickgeräusch).
- Der rote Not-Halt-Knopf hinten am Steuerkasten befindet sich in der HERAUSGEZOGENEN Stellung
- Drücken Sie die Tasten ANHEBEN und ABSENKEN an der Handbedienung und überprüfen Sie, dass der Ausleger richtig funktioniert.

5. Sicherheitshinweise

Lesen und befolgen Sie die nachfolgend aufgeführten Sicherheitshinweise. Betrieb und Funktionsweise des Oxford Patientenlifters sind einfach und direkt. Wenn Sie diese grundlegenden Sicherheitsvorkehrungen beachten, ist der Hebebetrieb leicht und problemlos.

DER "ADVANCE" LIFTER DARF NUR VON PERSONEN VERWENDET WERDEN, DIE DIESES BENUTZERHANDBUCH GELESEN UND VERSTANDEN HABEN.

WARNUNG: Wichtige Sicherheitsinformationen über Gefahren, die schwere Verletzungen zur Folge haben können.

VORSICHT: Informationen zur Vermeidung von Beschädigungen am Produkt.

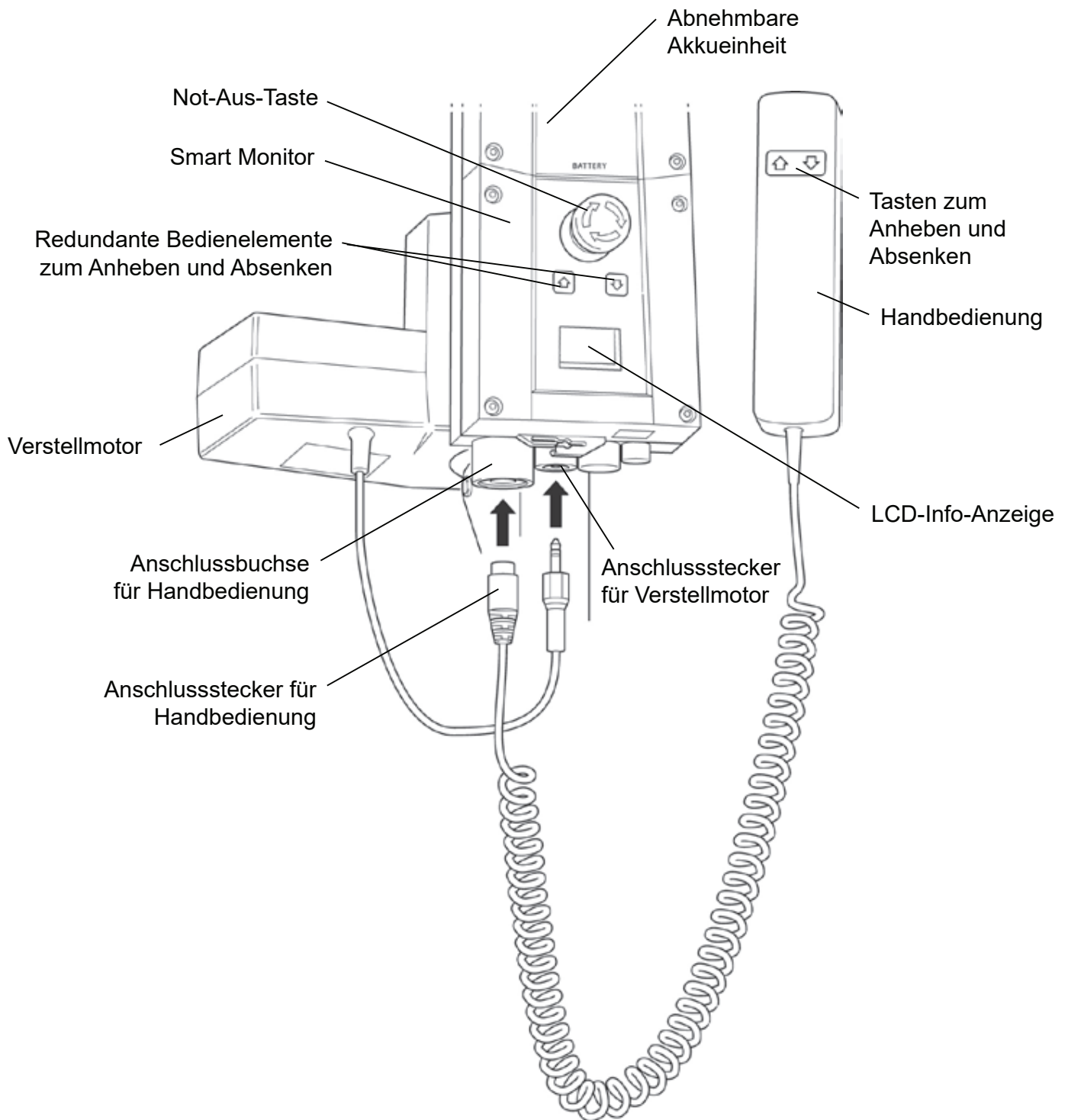
HINWEIS: Informationen, auf die Sie besonders achten sollten.

WARNUNG

- Oxford Patientenlifter dürfen nur von entsprechend geschultem/sachkundigem pflege personal bedient werden.
- Planen Sie die mit dem Lifter auszuführenden Aufgaben **STETS** bevor Sie beginnen.
- Gehen Sie vor jedem Einsatz des Lifters die **TÄGLICHE PRÜFLISTE** durch.
- Machen Sie sich vor jedem Heben von Patienten mit den Bedienungselementen und Sicherheitseinrichtungen des verwendeten Lifters vertraut.
- Verwenden Sie **KEINE** Gurte, die nicht ausdrücklich zur Verwendung mit diesem Lifter empfohlen werden.
- Prüfen Sie **STETS**, ob der Gurt für den speziellen Patienten geeignet ist und die korrekte Größe und Tragfähigkeit besitzt.
- Verwenden Sie **NIEMALS** Gurte, die ausgefranst oder beschädigt sind.
- Passen Sie die Gurte **STETS** gemäß den Anweisungen (Benutzerhandbuch) an.
- Vergewissern Sie sich, dass die zulässige Arbeitsbelastung des Lifters für das Gewicht des Patienten ausreicht.
- Bedienen Sie den Lifter **STETS** gemäß den Anweisungen im Betriebshandbuch.
- Bedienungs- oder Sicherheitselemente dürfen **AUF KEINEM FALL** entfernt oder außer Kraft gesetzt werden, um den Lifter-Betrieb zu vereinfachen.
- Heben Sie Patienten **NIEMALS** mit festgestellten Laufrollen an. Der Lifter muss sich stets auf den richtigen Schwerpunkt positionieren können.
- Manövrieren Sie den Lifter **NIEMALS** durch Schieben am Mast, Ausleger oder am Patienten.
- Manövrieren Sie den Lifter **STETS** mit dem vorhandenen Handgriff.
- Senken Sie den Patienten vor Beginn des Transfers **STETS** auf die niedrigste bequeme Position.
- Schieben Sie den beladenen Lifter **NICHT** bei Geschwindigkeiten, die über der Schrittgeschwindigkeit liegen (3 km/h, 0,8 m/s).
- Schieben Sie den Patientenlifter **NICHT** über unebenen oder rauen Untergrund, vor allem nicht, wenn er beladen ist.

- **Schieben/ziehen Sie den beladenen Lifter NICHT über Hindernisse am Boden, die von den Laufrollen nicht überfahren werden können.**
- **Betätigen Sie die Bedienungs-/Sicherheitselemente NIEMALS mit Gewalt. Alle Elemente sind leichtgängig und ohne Gewalt zu betätigen.**
- **Die MINDESTLAST zum manuellen Absenken des Patientenlifters mit der mechanischen Notabsenkung beträgt 30 kg.**
- **Parken Sie den beladenen Lifter NICHT auf schiefen Ebenen.**
- **Verwenden Sie elektrische Lifter NICHT in Duschbädern.**
- **Laden Sie elektrische Lifter NICHT in Bädern oder Duschräumen auf.**
- **Heben Sie KEINE Patienten, wenn Sie nicht dafür ausgebildet und kompetent sind.**
- **Der Lifter ist zum Heben von Patienten konzipiert worden. Er darf für KEINE anderen Zwecke verwendet werden.**
- **Der Lifter darf weder in beladenem noch in unbeladenem Zustand Stufen heruntergeschoben werden.**
- **Führen Sie den beladenen Lifter NICHT über schiefe Ebenen mit mehr als 1:12 (ca. 5 Grad) Gefälle.**
- **Führen Sie den Lifter NICHT ohne zweiten Helfer über schiefe Ebenen.**
- **Achten Sie vor dem Bewegen STETS darauf, dass der Lifter nicht gerade aufgeladen wird, da der elektrische Anschluss beschädigt werden kann.**

6. Smart Monitor und Handbedienung



Bestimmungsgemäße Verwendung

Der Oxford Smart Monitor ist ein Steuersystem für mobile Oxford Patientenlifter. Der Smart Monitor speichert nützliche Servicedaten zum Patientenlifter, die bei Bedarf aufgerufen werden können. Zu den Servicedaten gehören:

- Anzahl der mit Patienten durchgeführten Hübe
- Gesamtleistung des Verstellmotors
- Anzahl der Überlasten am Patientenlifter (Hubversuche über der maximalen Tragfähigkeit)
- Anzahl der Tage seit dem letzten Serviceintervall

In den Oxford Smart Monitor ist ein Mikroprozessor eingebaut, mit dem Servicedaten über die eingebaute LCD-Anzeige ausgelesen werden kann.

Funktionen

- Datensammlung im Steuerkasten mit Anzeige der Daten über eine LCD-Anzeige
- Leistungszähler
- Intelligenter Hubzähler
- Serviceanzeige
- Serviceintervallanzeige
- Überlastinformationen
- 3-stufige Akkuanzeige


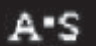


Vorteile

- Mehr Sicherheit für Patienten und Pflegepersonal
- Korrekte Servicedaten auf Knopfdruck verfügbar
- Optimierte Lebensdauer des Produkts
- Einfache Wartung für Mechaniker und Servicemechaniker
- Schnelle und einfache Bestimmung von Fehlern

LCD Anzeige

Mit dem Oxford Smart Monitor können Daten über die LCD-Anzeige ausgelesen werden. Es können die Gesamtzahl der Hubvorgänge, Gesamtleistung, Überlasten und Anzahl der Tage seit dem letzten Service ausgelesen werden, die zur schnellen und einfachen Beurteilung des Zustands des Hubverstellmotors verwendet werden können.

Der Zugriff auf die Daten erfolgt durch Drücken der Taste 'UP' an der Handbedienung für ½ Sekunde oder der redundanten Taste 'UP' am Smart Monitor.

	12034	— Gesamtzahl der Hübe
	1257000	— Gesamtleistung (Ampere * Sekunden)
	7	— Anzahl der Überlasten
	90 / 180	— Anzahl der Tage (seit dem letzten Service) / Anzahl der Tage (zwischen einem Service und dem nächsten)

Informationen zu Service und Verwendung



Wenn ein Service fällig ist, erscheint das Service-Symbol auf dem Display. Wenn die Handbedienung aktiviert ist, gibt der Smart Monitor auch ein akustisches Signal ab, das den Benutzer darauf hinweist, dass ein Service erforderlich ist.

Das Service-Symbol wird jedes Mal angezeigt, wenn die Taste zum Anheben oder Absenken an der Handbedienung gedrückt wird. Wenn das Service-Symbol angezeigt wird, wenden Sie sich sofort an Ihren autorisierten Fachhändler, um einen Termin für einen Service zu vereinbaren.

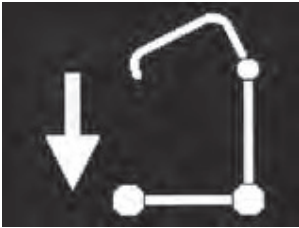


Wenn der Patientenlifter wegen einer Überlast (ein Versuch, mehr als die maximal zulässige Tragkraft anzuheben) stoppt, erscheint das Überlast-Symbol auf der LCD-Anzeige und der Patientenlifter funktioniert erst wieder, wenn die zusätzliche Last (über der maximalen zulässigen Tragkraft) abgenommen wurde.

⚠ WARNUNG

Wenn die LCD-Anzeige auf Ihrem Smart Monitor eine Überlast erfasst hat, empfiehlt Joerns Healthcare, vor der weiteren Benutzung ALLE täglichen Routineprüfungen am Patientenlifter durchzuführen (eine Liste der täglichen Überprüfungen finden Sie im Benutzerhandbuch des Patientenlifters). Joerns Healthcare empfiehlt auch, dass Sie sich für weitere Informationen an Ihren autorisierten Oxford Fachhändler wenden.

Eingebaute redundante Steuerung



Mit der eingebauten redundanten Steuerung kann der Patientenlifter im Notfall angehoben oder abgesenkt werden.

Angaben zum Akku



Wenn auf dem Display ein voller Akku angezeigt wird, heißt das, dass der Akku ganz aufgeladen und der Patientenlifter betriebsbereit ist.



Wenn auf dem Display eine halb leerer Akku angezeigt wird, heißt das, dass der Akku aufgeladen werden muss.



Das Symbol mit dem leeren Akku auf dem Display zeigt an, dass der Akku ganz leer ist und sofort aufgeladen werden sollte.

⚠ WARNUNG

Um eine mögliche Dauerschädigung des Akkus zu vermeiden, sollte der Akku aufgeladen werden, wenn das halb leere Akkusymbol auf dem Display angezeigt wird.

7. Bedienungshinweise

⚠️ WARNUNG

Oxford Patientenlifter dürfen nur von entsprechend geschultem/sachkundigem Pflegepersonal bedient werden.

1. Einstellen der Fahrgestellbreite

Die Breite des Fahrgestells am Oxford Advance ist einstellbar. Die Fahrgestellträger können gespreizt werden, um Sessel oder Rollstühle zu umschließen. Zum Transfer und zum Schieben durch Türen und Durchgänge muss das Fahrgestell immer in der geschlossenen Stellung verriegelt sein.

Zum Verstellen wird das Pedal zum Verstellen des Fahrgestells, das sich an der Rückseite der Basis befindet, auf der rechten Seite nach unten gedrückt, um das Fahrgestell zu öffnen und auf der linken Seite nach unten gedrückt, um das Fahrgestell zu schließen. Das Fahrgestell kann verstellt werden, während sich der Patient im Patientenlifter befindet.

⚠️ WARNUNG

Führen Sie keine Hebe-/Transfervorgänge durch, wenn sich das Fahrgestell in der geschlossenen Stellung bzw. Transportstellung befindet (vordere Lenkrollen berühren sich). Die Stellung Geschlossen//Transport ist nur für die Lagerung und den Transport bestimmt.

2. Laufrollen und Feststellbremsen

Der Lifter besitzt zwei feststellbare Laufrollen, die beim Abstellen benutzt werden. Während des Hebevorgangs müssen die Laufrollen frei und ungebremst sein, sodass sich der Lifter stets zum richtigen Schwerpunkt hin bewegen kann. Die Bremse NICHT betätigen. Wenn Sie die Bremse betätigen, kann der Patient zum Schwerpunkt geschwenkt werden und dies als beunruhigend oder unangenehm empfinden.

3. Heben und Senken des Auslegers

Die Hubbewegung des Auslegers erfolgt durch einen leistungsstarken elektrischen Stellmotor, der mit einer einfachen Handbedienung gesteuert wird. Auf der Handbedienung befinden sich zwei Taster mit den Richtungspfeilen ANHEBEN und ABSENKEN. Der Stellmotor stoppt automatisch in der oberen bzw. unteren Endlage. Die Handbedienung ist an einer Buchse unten an der Steuereinheit angeschlossen. Auf der Rückseite der Handbedienung befindet sich ein Haken, mit dem man die Handbedienung bei Nichtbenutzung am Mast oder Ausleger aufhängen kann.

4. Not-Aus

Der rote Not-Aus-Taster befindet sich auf der Rückseite der Steuereinheit und wird durch Drücken ausgelöst. In diesem Fall wird die gesamte Stromzufuhr zum Lifter unterbrochen. Um den Not-Aus-Zustand aufzuheben, wird der Taster gegen den Uhrzeigersinn gedreht, bis er herauspringt.

5. Redundante Steuerung

Alle Oxford Patientenlifter sind mit Tasten zum Anheben und Absenken am Steuerkasten ausgestattet. Sie befinden sich unter der Not-Aus-Taste und können beim Ausfall der Handbedienung zum Absenken/Anheben des Patienten verwendet werden.

6. Mechanische Notabsenkung

Für den Fall eines kompletten Stromausfalls ist der elektrische Verstellmotor mit einem mechanischen Absenkmechanismus (ROTER KNOPF) ausgestattet. Der Mechanismus funktioniert nur, wenn sich der Lifter unter Last befindet. Zum Auslösen ziehen Sie den Mechanismus nach oben. Die Vorrichtung senkt sich langsam ab.

HINWEIS: Die MINDESTLAST zum manuellen Absenken des Patientenlifters mit der mechanischen Notabsenkung beträgt 30 kg.

7. Akkus

Die Akkus werden durch einen LADEZUSTANDSALARM vor zu starker Entladung geschützt. Dieser Alarm ertönt bei Betätigung der Handbedienung, wenn die Batterien aufgeladen werden müssen. Der Alarmton wird nur dann ausgelöst, wenn die Handbedienung betätigt wird.

VORSICHT: DIESER ALARM IST UNBEDINGT ZU BEACHTEN. Führen Sie den Hebevorgang zu Ende, und laden Sie die Akkus der Lifter auf (siehe „Aufladen der Akkueinheit“).

8. Gurte

Der gewünschte Gurt wird an den Haken des Spreizbügels befestigt. Alle Gurte werden mit Gebrauchsanweisungen geliefert. Bitte lesen Sie die Bedienungsanleitung für den Patientenlifter und den Gurt vor der Benutzung durch. Wenn der passende Gurt für den Patienten ausgewählt ist, hängen Sie den Gurt an den Haken des Spreizbügels ein.

HINWEIS: Für detaillierte Anleitungen zur Befestigung siehe die Bedienungsanleitung für die Gurte.

WARNUNG

Joerns Healthcare empfiehlt, die Gurte regelmäßig und vor dem Gebrauch auf Ausfransen oder andere Schäden zu prüfen. Verwenden Sie KEINE Gurte, die abgenutzt oder beschädigt sind.

WARNUNG

OXFORD EMPFIEHLT DIE VERWENDUNG VON ORIGINAL OXFORD-TEILEN. Bespannungen und Lifts von Oxford sind frei miteinander kombinierbar. Länderspezifische Angaben zur Bespannung und Kompatibilität finden Sie im Etikett der Bespannung oder wenden Sie sich an Ihren örtlichen Händler oder an Joerns Healthcare.

WARNUNG

Bitte beachten Sie die maximale Tragfähigkeit des Lifters. Die Kapazität der Gurte ist durch die maximale Tragfähigkeit des Lifters begrenzt.

Aufladen der Akkueinheit

Wenn die Akkueinheit geladen werden muss, wird sie vom Patientenlifter abgenommen und an ein externes Ladegerät angeschlossen.

Joerns Healthcare empfiehlt, eine zusätzliche Akkueinheit zu beschaffen, damit immer eine Akkueinheit geladen werden kann.

1. Nehmen Sie die Akkueinheit aus dem Patientenlifter heraus. Die Einheit wird von einem einfachen Verschluss oben an der Akkueinheit gehalten. Wenn Sie den Verschluss anheben, wird die Akkueinheit freigegeben.
2. Schließen Sie die Akkueinheit an das Ladegerät an. Die Akkueinheit wird genauso am Ladegerät positioniert und verriegelt wie am Patientenlifter.
3. Stecken Sie den Netzstecker des Ladegeräts in eine geeignete Netzsteckdose ein und schalten Sie die Stromversorgung EIN.
4. Der Ladevorgang erfolgt automatisch und die Akkus sind nach vier (4) Stunden ganz aufgeladen. **Hinweis:** Auch wenn das Ladegerät für längere Zeit eingesteckt bleibt, sind die Akkus vor Überladung geschützt.
 - a) Grünes Licht - Zeigt an, dass es eingeschaltet ist.
 - b) Gelbes Licht - Zeigt an, dass der Akku geladen wird.
 - c) Batterie ist ganz aufgeladen, wenn das gelbe Licht ausgeht.

Hinweis: Es wird empfohlen, den Akku sofort nach der Anlieferung aufzuladen.

5. Um den Patientenlifter wieder in Betrieb zu nehmen, schalten Sie die Stromversorgung AUS und nehmen Sie die Akkueinheit vom Ladegerät ab. Bringen Sie die Akkueinheit an der Halterung am Mast an und vergewissern Sie sich, dass die Sicherungsverriegelung ganz arretiert ist und hörbar einrastet (Klickgeräusch). Das Laden der elektrischen Oxford Patientenlifter ist einfach, aber es ist wichtig, dass die Ladeanleitung genau befolgt wird. Beachten Sie dazu bitte die folgenden Punkte, die Ihnen dabei helfen, Probleme mit entladenen Akkus zu vermeiden.

WARNUNG

- **Akku, Ladegerät, Handsteuerung und Steuereinheit dürfen NUR von autorisiertem Personal geöffnet werden. (Wenden Sie sich wegen Garantie und Reparaturen an Ihren Fachhändler).**
- **Die Akkupole/Pole des Ladegeräts NICHT berühren.**
- **Die Akkus IMMER ganz aufladen. Lassen Sie die Akkueinheit immer aufladen, wenn sie nicht benutzt wird. Wenn es für Sie einfacher ist, laden Sie sie jede Nacht auf. Das Ladegerät schützt die Akkueinheit vor dem Überladen.**
- **Die Akkus NIE ganz entladen lassen. Sobald das Alarmsignal ertönt, den Hebevorgang zu Ende führen und die Akkus aufladen.**
- **Um eine mögliche Dauerschädigung des Akkus zu vermeiden, sollte der Akku aufgeladen werden, wenn das halb leere Akkusymbol auf dem Display angezeigt wird.**
- **Den Akku IMMER in regelmäßigen Abständen nachladen, wenn er für längere Zeit nicht verwendet wird.**

- **STETS** darauf achten, dass die Netzspannung zum Ladegerät ausgeschaltet ist, bevor das Akkupaket angeschlossen oder abgenommen wird.
- Das Akkupaket **NIE** am Ladegerät angeschlossen lassen, wenn die Netzspannung zum Ladegerät ausgeschaltet ist.
- **DAS LADEGERÄT NICHT** eingeschaltet lassen, wenn der Akku nicht angeschlossen ist.
- **DEN PATIENTENLIFTER WÄHREND DES LADEVORGANGS NICHT** benutzen.
- **ÜBERPRÜFEN** Sie vor dem Verfahren, dass der Patientenlifter nicht aufgeladen wird, da der elektrische Anschluss sonst dadurch beschädigt werden kann.
- **DAS LADEGERÄT KEINESFALLS** durch Ziehen am Kabel ausstecken.
- **ACHTEN SIE DARAUF**, dass Sie nicht über das Ladekabel stolpern.
- **LADEN SIE ELEKTRISCHE PATIENTENLIFTER NICHT** in Bädern oder Duschräumen auf.

8. Wartungsplan und tägliche Prüfliste

Alle Oxford Produkte sind so ausgelegt, dass sie nur ein Minimum an Wartung benötigen. Einige Sicherheitsprüfungen und -maßnahmen müssen jedoch durchgeführt werden. Durch die täglichen Überprüfungen, die halbjährliche gründliche Inspektion und eine jährliche Wartung und Prüfung wird gewährleistet, dass der Patientenlifter in einem optimalen, sicheren Betriebszustand gehalten wird. Eine Ersatzteilliste ist auf Anfrage erhältlich.

Die BELASTUNGSPRÜFUNG und -zertifizierung darf nur von Fachpersonal oder einem autorisierten Kundendienst / Fachhändler durchgeführt werden.

TÄGLICHE PRÜFLISTE: Joerns Healthcare empfiehlt dringend, den Patientenlifter jeden Tag und vor der Benutzung auf die folgenden Punkte zu überprüfen:

- VERGEWISSERN SIE SICH, dass sich der Patientenlifter frei auf den Laufrollen bewegen kann.
- VERGEWISSERN SIE SICH, dass sich die 6-Punkt-Halterung ungehindert drehen und schwenken lässt.
- VERGEWISSERN SIE SICH, dass die 6-Punkt-Halterung sicher am Ausleger befestigt ist.
- UNTERSUCHEN Sie die Gurthaken/Clips an der 6-Punkt-Halterung auf Schäden und übermäßige Abnutzung.
- VERGEWISSERN SIE SICH, dass sich das Fahrgestell ordnungsgemäß öffnen und schließen und in allen geöffneten und geschlossenen Positionen arretieren lässt.
- BETÄTIGEN SIE die Handbedienung, um sicherzustellen, dass sich der Ausleger einwandfrei heben und senken lässt.
- VERGEWISSERN SIE SICH, dass auf der Anzeige des Steuerkastens kein Schraubenschlüssel-Symbol aufleuchtet und beim Drücken der Tasten Anheben/Absenken kein akustisches Signal ertönt.
- ÜBERPRÜFEN SIE, dass die Not-Aus-Taste funktioniert.
- ÜBERPRÜFEN Sie die Gurte auf Ausfransen oder andere Schäden. Beschädigte oder verschlissene Gurte NICHT verwenden.
- ÜBERPRÜFEN SIE, dass am Patientenlifter kein Alarm ertönt, wenn die Handbedienung betätigt wird. Wenn der Alarm ertönt, den Patientenlifter NICHT benutzen und sofort aufladen.
- VERGEWISSERN SIE SICH, dass die Verbindungsstellen zum Verstellmotor gesichert sind.
- Führen Sie eine SICHTPRÜFUNG aller Befestigungsteile und Befestigungen durch und vergewissern Sie sich vor der Benutzung, dass sie alle gesichert sind.

Wartung, Inspektion und Prüfung

Joerns Healthcare empfiehlt in regelmäßigen Abständen eine gründliche Inspektion und Prüfung des Oxford Calibre Patientenlifters, der Zubehörteile, Gurte, Waagen etc. Die Häufigkeit der Inspektionen ist je nach Einsatzort unterschiedlich, d.h., Sie müssen sich bei Ihrem Fachhändler oder bei der zuständigen Behörde vor Ort erkundigen, wie oft eine Inspektion durchgeführt werden muss. Die Untersuchung und die Prüfung müssen nach den in diesem Handbuch angegebenen Empfehlungen und Verfahrensweisen durchgeführt werden. Joerns Healthcare empfiehlt, dass Wartung, Inspektion und zertifizierte Prüfungen nur vom autorisierten Kundendienst / Fachhändler durchgeführt werden.

HINWEIS: Diese Empfehlungen entsprechen den Vorgaben der britischen Vorschriften zur Arbeitssicherheit für Hebevorgänge und Hebevorrichtungen, «1998 No2307 Health and Safety: The Lifting Operations and Lifting Equipment Regulations 1998». Diese Vorschriften gelten in Großbritannien. Außerhalb von Großbritannien erkundigen Sie sich bitte nach den anwendbaren Vorschriften

Reinigung

Verwenden Sie zum Reinigen herkömmliche Seife und Wasser und/oder Desinfektionsmittel für harte Oberflächen. Starke chemische Reinigungsmittel oder Scheuermittel sollten nicht verwendet werden, da diese die Oberfläche des Lifters angreifen. Setzen Sie die elektrischen Teile keiner Feuchtigkeit aus. Nach der Reinigung sollte das Gerät gründlich getrocknet werden.

Entsorgung am Ende der Lebensdauer

Akku: Alle Akkus im Produkt und im eventuell vorhandenen Zubehör müssen separat dem Recycling zugeführt werden. Akkus sind gemäß den vor Ort oder landesweit geltenden Vorschriften zu entsorgen.

Gurte: Gurte und dazugehörige Materialien und Zubehör sind gemäß den vor Ort oder landesweit geltenden Vorschriften als brennbare Abfälle zu sortieren.

***DIESE PRÜFUNGEN SOLLTEN UMFASSEN:**

	Anfangs	Vor dem Gebrauch	Wartungsintervalle
1. SPREIZBÜGEL: Vergewissern Sie sich, dass der Spreizbügel frei dreh- und schwenkbar ist. Prüfen Sie den zentralen Stift auf Verschleiß. Prüfen Sie, dass der Stift fest mit dem Ausleger verbunden ist.	✓	✓	✓
2. AUSLEGER: Prüfen Sie die Verbindung von Ausleger und Mast. Stellen Sie sicher, dass der Ausleger sich nur geringfügig seitlich bewegen und sich frei im Lager des Auslegers drehen kann.	✓	✓	✓
3. MAST: Prüfen Sie die Funktion des Mast-Feststellknopfes. Achten Sie darauf, dass der Mast in der entsprechenden Buchse einrastet. Prüfen Sie die Halterung des unteren Stellmotors.	✓	✓	✓
4. STELLMOTOR: Der Stellmotor muss, abgesehen vom Prüfen auf korrekten Betrieb und außergewöhnliche Geräusche, nicht gewartet werden.			✓
5. SMART MONITOR: Überprüfen Sie die Funktion der Not-Aus-Taste. Überprüfen Sie, dass der richtige Anschluss in die Buchse an der Handbedienung eingesteckt ist. Überprüfen Sie die Funktion der Handbedienung. Überprüfen Sie die redundanten Bedienelemente und dass sie ordnungsgemäß funktionieren. HINWEIS: Die MINDESTLAST zum manuellen Absenken des Patientenslifters mit der mechanischen Notabsenkung beträgt 30 kg.	✓	✓	✓
6. AKKUS: Die Akkus befinden sich in der Akkueinheit und müssen, abgesehen vom regelmäßigen Aufladen (siehe "Aufladen der Akkueinheit"), nicht gewartet werden. Achten Sie darauf, dass die Anschlüsse sauber bleiben.			✓
7. EINSTELLEN DER FAHRGESTELLBREITE: Prüfen Sie, dass das Fahrgestell nach innen und nach außen verstellt werden kann.	✓	✓	✓
8. LAUFROLLEN: Prüfen Sie, dass die Laufrollen fest mit dem Fahrgestell verbunden sind. Vergewissern Sie sich, dass die Laufrollen frei beweglich sind.	✓	✓	✓
9. REINIGUNG: Verwenden Sie zum Reinigen herkömmliche Seife und Wasser und/oder Desinfektionsmittel für harte Oberflächen. Starke chemische Reinigungsmittel oder Scheuermittel sollten nicht verwendet werden, da diese die Oberfläche des Lifters angreifen. Setzen Sie die elektrischen Teile keiner Feuchtigkeit aus. Nach der Reinigung sollte das Gerät gründlich getrocknet werden.		✓	✓
10. BELASTUNGSPRÜFUNG: Die Belastungsprüfung muss gemäß den Prüfverfahren des Herstellers und der in EN ISO 10535:2006 - Anhang B - Periodische Überwachung B1 angegebenen Vorschrift durchgeführt werden - siehe unten für einen Auszug. Es wird dringend empfohlen, die Prüfung von einem autorisierten Fachhändler durchführen zu lassen.			✓

	Anfangs	Vor dem Gebrauch	Wartungsintervalle
11. FAHRGESTELL UND ROLLEN: Stellen Sie sicher, dass das Fahrgestell auf glattem, ebenem Boden steht (alle vier Rollen haben Bodenkontakt).	✓	✓	✓
12. GURTE: Prüfen Sie auf Verschleiß und Ausfransung.	✓	✓	✓
13. SCHMIERUNG: Schmieren Sie Drehgelenke einschließlich Mast- und Auslegerverbindungen, Pedale und Verbindung zur 6-Punkt-Halterung (nur bei Bedarf) mit einem für Lebensmittel geeigneten, sprühbaren Schmierstoff.			✓
14. BEFESTIGUNGSTEILE: Überprüfen Sie alle Muttern, Schrauben, Bolzen und Verbindungselemente auf übermäßige Abnutzung und festen Sitz. Bei Bedarf auswechseln.			✓

EN ISO 10535:2006

Anhang B

(Informativ)

Periodische Überwachung

B. 1 Die periodische Überwachung des Patientenlifters sollte in den vom Hersteller empfohlenen Intervallen durchgeführt werden, jedoch mindestens einmal im Jahr. Die periodische Überwachung bedeutet eine Sichtprüfung (vor allem des Tragwerks und des Hubwerks mit Anbaugeräten, Bremsen, Bedienelementen, Sicherheitsvorrichtungen und Personenstützsystemen des Patientenlifters) sowie alle erforderlichen Funktionsprüfungen und Wartungsmaßnahmen, z.B. Einstellen der Bremsen, Anziehen von Befestigungsteilen.

Bei allen Überwachungen ist eine Prüfung der maximalen Tragfähigkeit durch mindestens einen (1) Hubvorgang mit Höchstlast durchzuführen.

9. Technische Daten

Spezifikation

Zulässige Belastung	341 lbs.	155Kgs
Maximale Gesamtlänge	51 inches	1300mm
Minimale Gesamtlänge	49 inches	1250mm
Maximale Gesamthöhe	73 inches	1860mm
Minimale Gesamthöhe	53.5 inches	1360mm

Abmessungen, zusammengeklappt

Höhe.....	17.1 inches	450mm
Tiefe	46.4 inches	1180mm
Breite.....	21.6 inches	550mm

Spreizbügel, maximale Höhe.....	66.5 inches	1690mm
Spreizbügel, anwendbare Mindesthöhe	15.3 inches	390mm
Höhe bei maximaler Reichweite	46 inches	1170mm
Reichweite bei maximaler Höhe.....	25.6 inches	650mm
Reichweite bei minimaler Höhe	13.7 inches	350mm
Maximale Reichweite*	32.8 inches	835mm
Wenderadius.....	55.9 inches	1420mm
Fahrgestell, gespreizt - äußere Breite	42.5 inches	1080mm
Fahrgestell, gespreizt - innere Breite.....	39.3 inches	1000mm
Fahrgestell, geschlossen - äußere Breite	26.3 inches	670mm
Fahrgestell, geschlossen - innere Breite.....	22.4 inches	570mm
Gesamthöhe des Fahrgestells.....	4.5 inches	115mm
Bodenabstand	1.1 inches	30mm
Doppelaufrollen vorne	3.0 inches	75mm
Laufrollen mit Feststellbremse hinten.....	3.9 inches	100mm

*Reichweite = Mitte Spreizbügel bis Vorderseite Mast

Gewicht

Mast, Fahrgestell, Ausleger	63.1 lbs.	28.9kgs
Akkueinheit	6.6 lbs.	3.0kgs
Gesamt	70.3 lbs.	31.9kgs
Fahrgestell (ohne Akku).....	32.8 lbs.	14.9kgs
Mast und Ausleger (ohne Akku).....	30.9 lbs.	14.0kgs

Alle Maßangaben mit +5/-5 Grad Toleranz.

ANGABEN ZUR ELEKTRIK

AKKUS	24 V, aufladbar, geschlossene Blei/Säure-Akkus
AKKUKAPAZITÄT	3,2 Ah
EINGANGSSPANNUNG DES LADEGERÄTS (NENNWERT)	100 - 240 VAC 50/60Hz Max 400mA
AUSGANGSSPANNUNG DES LADEGERÄTS (NENNWERT)	27,4/29,0 VDC@0,8A

SCHUTZ GEGEN STROMSCHLAG

LADEGERÄT	KLASSE II
PATIENTENLIFTER	INTERNE STROMQUELLE

STOSSFESTIGKEIT

LADEGERÄT	TYP B
PATIENTENLIFTER	TYP B

UMGEBUNGSBEDINGUNGEN

Außerhalb dieser Umgebungsbedingungen können Funktionsfähigkeit und Sicherheit unter Umständen beeinträchtigt werden.

BETRIEB

TEMPERATUR	>+5°C <+40°C
LUFTFEUCHTIGKEIT	20% - 90% @ 30°C (nicht kondensierend)
LUFTDRUCK	700 - 1060 hpa

LAGERUNG

TEMPERATUR	>-10°C <+50°C
LUFTFEUCHTIGKEIT	20% - 90% @ 30°C (nicht kondensierend)
LUFTDRUCK	700 - 1060 hpa

IP SCHUTZKLASSEN

STEUERKASTEN	IPX4
VERSTELLMOTOR	IPX4
EXTERNER LADEGERÄT	IPX5
BATTERIE	IPX5
HANDBEDIENUNG	IPX5

EINSCHALTDAUER

VERSTELLMOTOR	10% (2 Min. / 18 Min.)
LADEGERÄT	4 Stunden (ca.)

AKUSTIK

A-BEWERTETER SCHALLDRUCKPEGEL	64dB
-------------------------------------	------

WICHTIGE SYMBOLE:

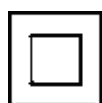
Die folgenden Symbole werden am Ladegerät, am Steuerkasten und am Akku verwendet:



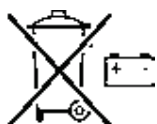
Bei diesem Produkt handelt es sich um ein Medizinprodukt gemäß der EU-Verordnung 2017/745 über Medizinprodukte.



Medizinisches elektrisches Gerät, Typ B, gemäß EN 60601-1



Geräte der Klasse 2



Die Akkus dürfen nicht als Hausmüll entsorgt werden. Akkus sind gemäß den vor Ort oder landesweit geltenden Vorschriften zu entsorgen.



Die elektronischen Bauteile dürfen nicht als Hausmüll entsorgt werden.



Für den Gebrauch im Haus



ACHTUNG, siehe die beigelegten Unterlagen



Lesen Sie vor der Verwendung die Bedienungsanleitung

WEEE-Registriernummer der Hersteller: WEE/GG0464RZ

10. Garantie

Joerns Healthcare verfügt über ein Netz von autorisierten Fachhändlern und Kundendienstvertretungen, die Ihre Anfragen in Bezug auf Kauf, Garantie, Reparaturen und Wartung gerne beantworten. Wir empfehlen, die Inbetriebnahme unserer Produkte von Ihrem autorisierten Fachhändler oder Ihrer Kundendienstvertretung durchführen zu lassen.

Der Fachhändler oder die Kundendienstvertretung sind für das Garantieprogramm zuständig, deshalb ist es wichtig, dass Sie Namen, Adresse und Telefonnummer notieren, damit Sie sich an diesen bzw. diese wenden können, falls ein Problem auftritt. Wenn Sie sich nicht sicher sind, wo Ihr Patientenlifter gekauft wurde, teilen Sie Joerns Healthcare die Seriennummer des Patientenlifters mit und wir finden den Lieferanten für Sie.

Alle Garantieansprüche sind von der ordnungsgemäßen Benutzung und Wartung gemäß dem Benutzerhandbuch abhängig, das mit allen Patientenliftern mitgeliefert wird. Die Garantie gilt nicht für Schäden, die durch die Benutzung in ungeeigneten Umgebungsbedingungen oder dadurch verursacht wurden, dass die Wartung nicht gemäß dem Benutzer- und Wartungshandbuch durchgeführt wurde. Die Ihnen zustehenden gesetzlichen Rechte bleiben davon unberührt.

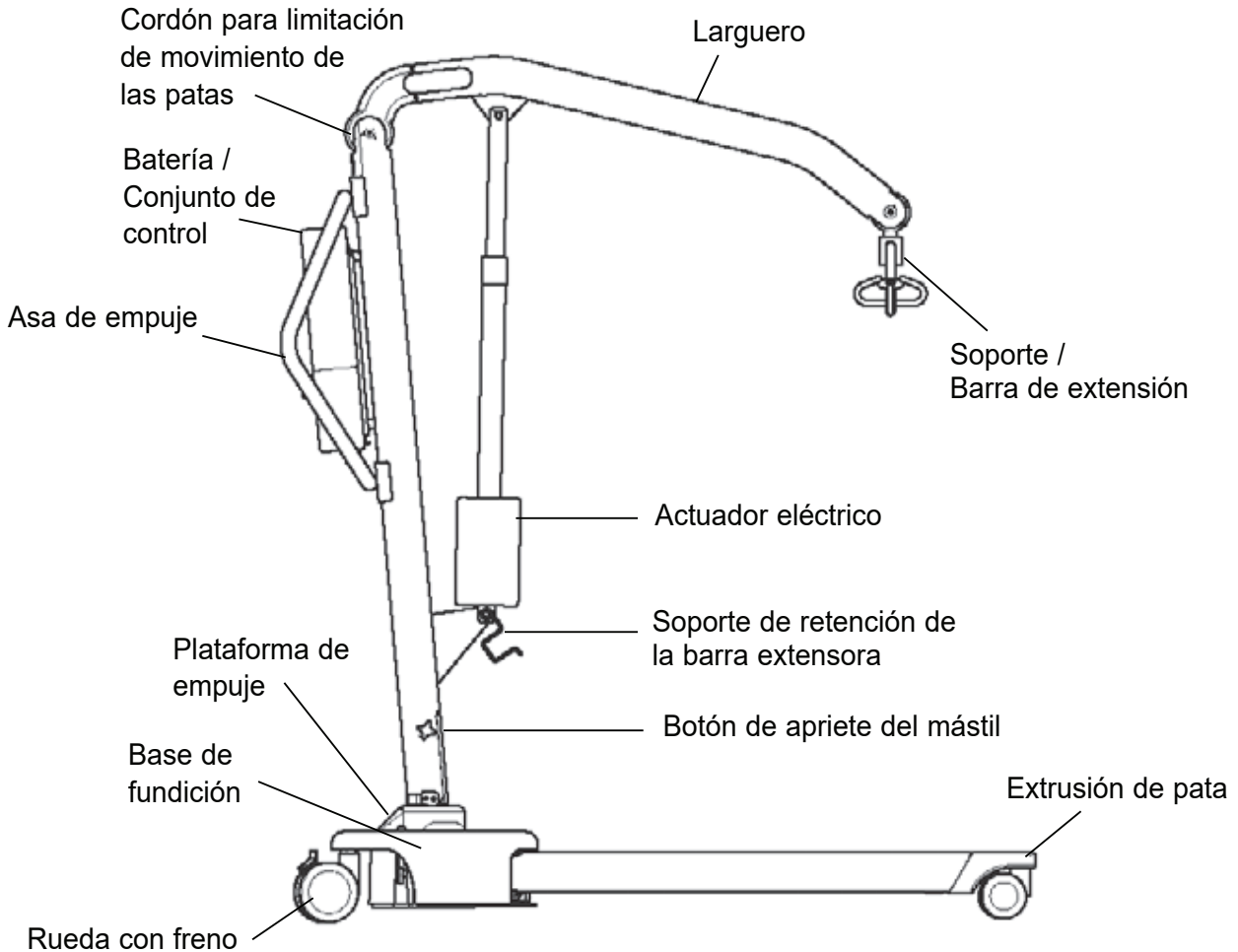
DENKEN SIE DARAN: Wenden Sie sich für Käufe, Reparaturen, Wartung und zertifizierte Wartung immer an Ihren autorisierten Fachhändler oder an Ihre Kundendienstvertretung.

Índice

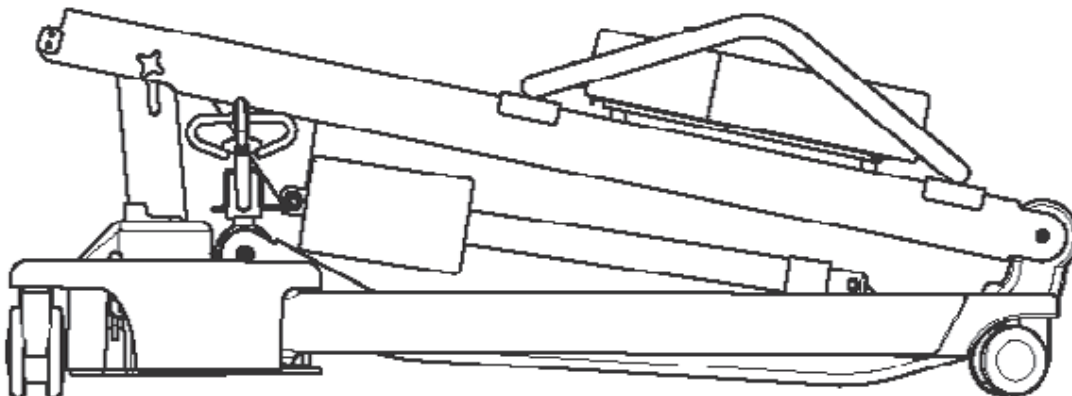
1. Elevador para pacientes Oxford Advance	81
2. Introducción.....	82
3. Instrucciones de montaje y encargo	83
4. Desmontaje	85
5. Precauciones de seguridad.....	88
6. Monitor Smart y control de mano.....	90
7. Instrucciones de funcionamiento.....	94
8. Programa de mantenimiento y Lista de verificaciones diarias	98
9. Especificaciones técnicas	102
10. Garantía	105

1. Elevador para pacientes Oxford Advance

Elevador Oxford Advance (preparado para su uso)



Elevador Oxford Advance (posición de almacenamiento)



2. Introducción

Cada elevador está completamente montado, y ha sido verificado y certificado antes de ser embalado y enviado.

El embalaje consta de una caja de cartón resistente, hecha a medida, y se utiliza tanto para los envíos nacionales como para las exportaciones para asegurar que el equipo llegue intacto a su destino. Con cada elevador se envía una bolsa con varios documentos; esta bolsa debe conservarse para su consulta futura.

- CERTIFICADO DE VERIFICACIÓN
- MANUAL DEL USUARIO

El CERTIFICADO DE VERIFICACIÓN es un documento importante y debe conservarse para su consulta. Para mantener adecuadamente su elevador, consulte el plan de mantenimiento incluido en este documento. Si no está seguro de cuáles son los requisitos de mantenimiento en su área geográfica, consulte a su proveedor y/o a una oficina de la administración local.

⚠ ADVERTENCIA

Antes de cada uso diario del elevador, debe llevar a cabo la inspección detallada en la lista de verificaciones diarias, presente en este manual.

La marca CE: El Oxford Advance lleva la marca CE y cumple con las siguientes directivas de la CE:



- Directiva de Dispositivos Médicos (93/42/EEC)
- Directiva EMC (EN60601-1-2:2015)
- Directiva de bajo voltaje (73/23/EEC)

Declaración de uso al que está destinado

El uso previsto para este dispositivo es la elevación y transferencia seguras de un individuo de una superficie de descanso a otra (como de una cama a una silla de ruedas, por ejemplo).

Joerns Healthcare recomienda que la transferencia de pacientes se lleve a cabo posteriormente a una evaluación de riesgos, y de manera segura, en una breve distancia solamente.

El sistema de elevación Oxford Advance se adapta a pacientes en posición SENTADA, SENTADA y RECOSTADA Y RECOSTADA.

El sistema Oxford Advance es un dispositivo de apoyo diseñado para promover la manipulación y transferencia seguras del paciente, tanto para el individuo que está siendo transportado como para la persona a cargo. El elevador se pliega sin necesidad de herramientas, lo que facilita el almacenamiento en entornos donde el espacio es reducido. El sistema Oxford Advance también puede separarse en dos secciones para facilitar el transporte en un vehículo con un espacio de almacenamiento adecuado.

El elevador de pacientes Oxford Advance incorpora una barra extensora de seis puntos y está diseñado para ser utilizado con la amplia gama de arneses Oxford. A continuación citamos ejemplos de arneses adecuados para uso con este dispositivo:

- Oxford Quickfit
- Oxford Quickfit Deluxe
- Oxford Long Seat
- Oxford Full Back
- Oxford Access sling
- Oxford Silkfit

⚠ ADVERTENCIA

Solamente personal de salud capacitado y competente debería operar los elevadores de pacientes Oxford.

Vida útil estipulada previa al mantenimiento:

Los elevadores profesionales Oxford están diseñados y evaluados para durar un período mínimo de diez (10) años previamente a efectuarse algún tipo de mantenimiento, dependiendo del uso y cumplimiento con las tareas de mantenimiento establecidas en este manual. El uso diferente al establecido en estas instrucciones, podría comprometer la vida útil del producto.

Notificación de incidentes graves

En caso de que se produzca un incidente grave durante el uso de este producto, que afecte al paciente y/o al proveedor de cuidados, debe comunicarse con el fabricante del producto o el distribuidor autorizado. Si el incidente se produce dentro de la Unión Europea (UE), también se debe informar a la autoridad local competente del Estado miembro.

3. Instrucciones de montaje y encargo

Contenido de la caja

Coloque la caja en una zona de trabajo despejada y ábrala con cuidado. La caja contiene:

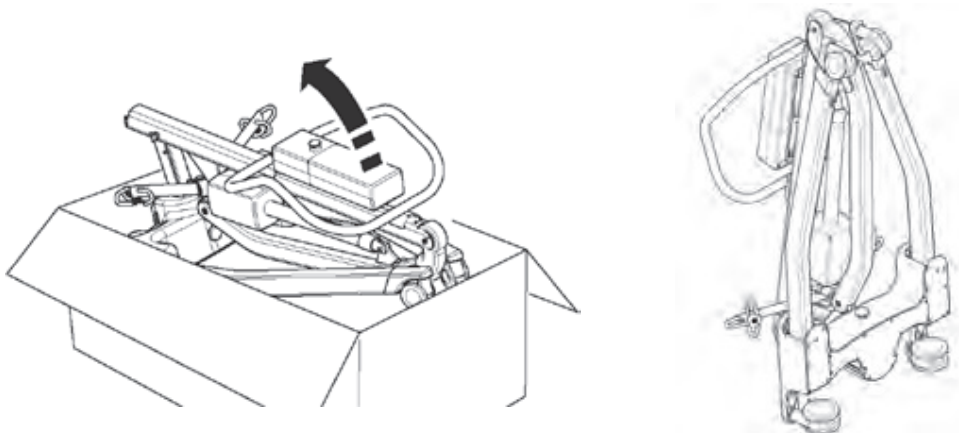
- OXFORD ADVANCE
- BOLSA CONTENIENDO DOCUMENTOS
- CONTROL DE MANO
- CONJUNTO DE BATERÍA
- TERMINAL DE CARGA DE BATERÍA

NOTA DE SEGURIDAD: El Oxford Advance es pesado y habrá que tener cuidado al levantarlo. Puede que necesite ayuda para levantar el Oxford Advance de la caja.

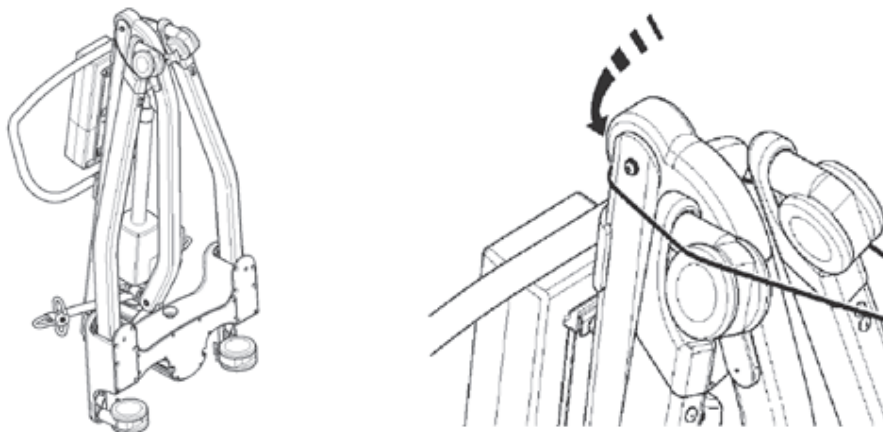
Instrucciones de montaje

1. Retire todas las piezas de la caja y colóquelas en el suelo, con cuidado de proteger el equipo de daños en su superficie.

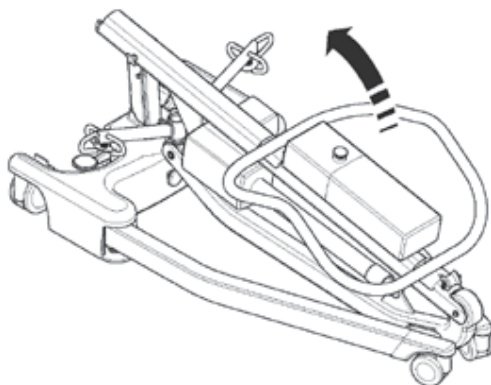
Levante el Advance con cuidado de la caja. Ponga el elevador en posición hacia arriba (en posición triangular).



2. Suelte la pata y el conjunto del mástil aflojando la correa de retención de las ruedas. Esta correa se retrae completamente en la parte superior de la sección del mástil.



3. Ponga el Advance plano sobre el suelo (asegúrese de que las ruedas traseras están bloqueadas).



4. Levante el conjunto de piezas del mástil en posición vertical (utilizando la parte superior de la empuñadura) y coloque el mástil en la ranura (1). Ajuste los pomos de fijación del mástil (2) y destrabe las rueditas (3).

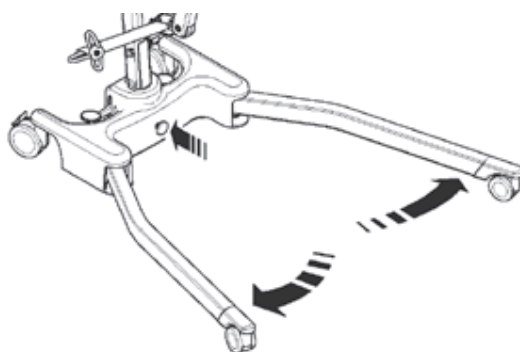
NOTA DE SEGURIDAD: Evite que los dedos queden atrapados. Mantenga los dedos alejados del extremo del mástil al insertarlo en la ranura del mástil. Apriete el dispositivo de bloqueo del mástil y libere las ruedas con freno en la parte posterior.



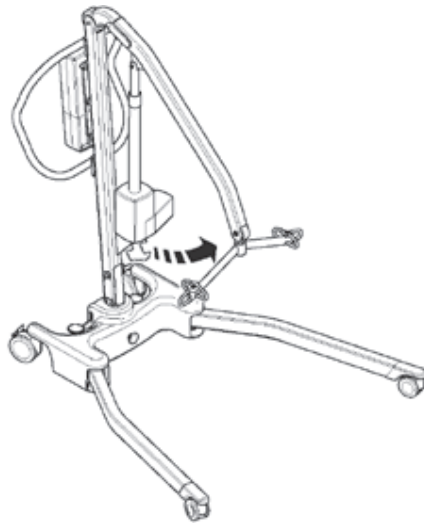
5. Abra las patas completamente. Asegúrese de que el botón de bloqueo de las piernas se enganche a ras de la base, así las patas ya no se moverán libremente. Las patas solamente funcionarán mediante el uso del mecanismo de pedal situado en la parte posterior de la base.

⚠ ADVERTENCIA

Si el funcionamiento del pedal NO ajusta las patas, NO use el elevador. Compruebe que el pomo de bloqueo de las patas esté completamente encajado. Si el pomo de bloqueo de las patas no encaja completamente y el funcionamiento del pedal no ajusta las piernas, NO utilice el elevador y póngase en contacto con su proveedor de servicios sanitarios autorizado de Joerns Healthcare para que lo examine y repare.

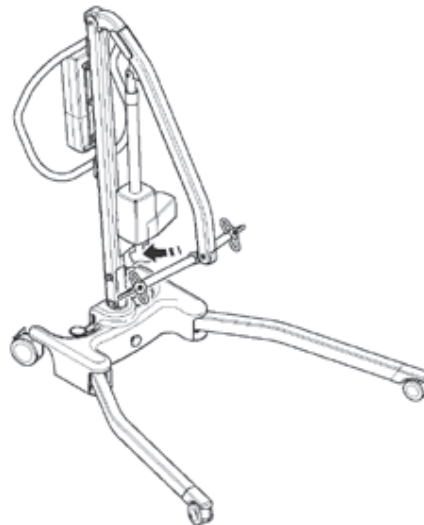


6. Suelte la barra separadora del soporte de sujeción. El elevador ya está listo para funcionar.

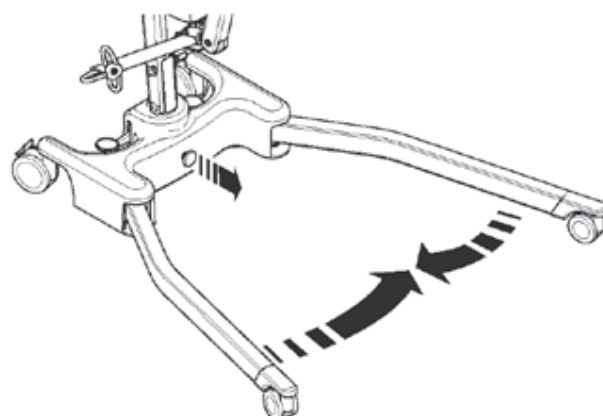


4. Desmontaje

1. Haga descender el mástil hasta la posición más baja posible, y después inserte la barra de extensión en el soporte de retención.



2. Libere el dispositivo de bloqueo de la pata (tirando hacia fuera desde la base de fundición), cierre las patas juntas.

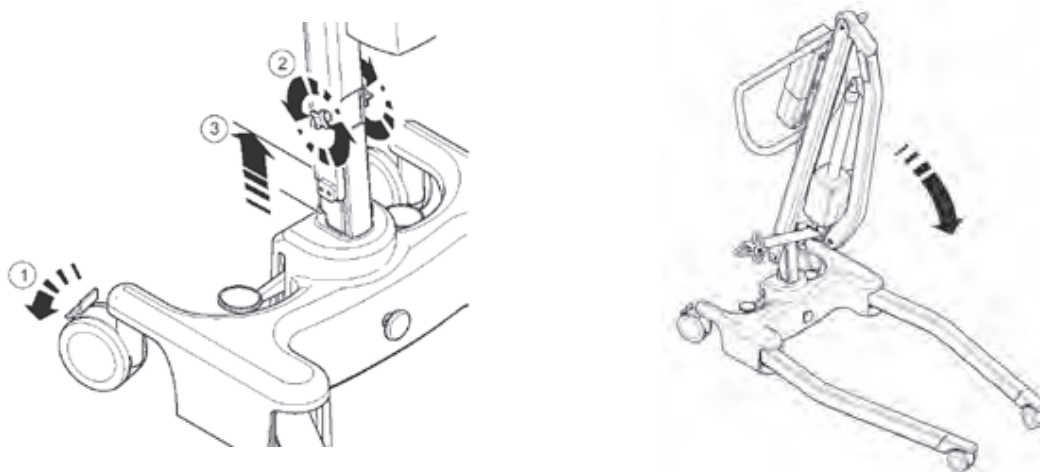


3. Afloje el dispositivo de bloqueo del mástil lo suficiente como para permitir la elevación del mástil. Levante el mástil completamente hasta alcanzar el tope superior. Pliegue el mástil con cuidado hacia las piernas. Utilice el asa de empuje para ayudarse a realizar a esta acción.

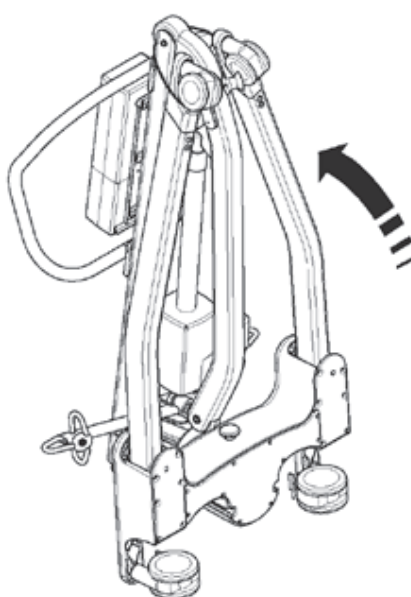
⚠ PRECAUCIÓN

Al comenzar a plegar el mástil, si siente resistencia, NO lo fuerce; en cambio, levante el mástil nuevamente hasta alcanzar el tope superior e intente la operación de plegado otra vez.

NOTA: Si desea separar el mástil y el larguero completamente de la base y las patas, deshaga el dispositivo de bloqueo del mástil completamente (retirar) y levante el mástil y el larguero completamente para que queden libres desde la base. Tenga cuidado de no aflojar el dispositivo de bloqueo, el botón y el eje de localización del mástil.

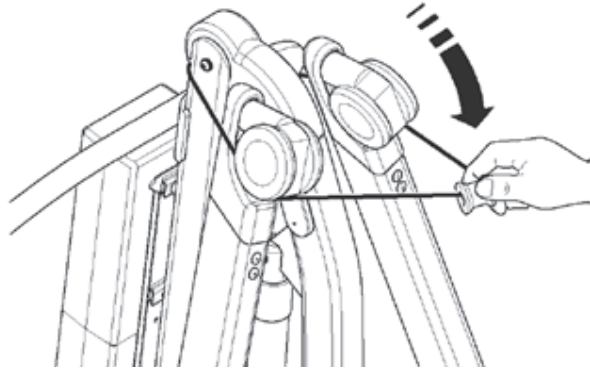


4. Levante el Advance plegado hacia arriba (utilizando las patas y el asa de empuje como guía), con cuidado de que el mástil y el larguero estén juntos al inclinarlo hacia arriba.



5. Tire de la correa de retención hacia arriba y extiéndala sobre las ruedas. (Esto mantendrá las patas, el mástil y el larguero juntos durante el transporte y almacenamiento).

NOTA: Tenga cuidado al plegar/desplegar el Advance, ya que hay peligro de que queden atrapados los dedos, etc. Por favor, siga las instrucciones cuidadosamente y pida ayuda si no está seguro del procedimiento correcto.



VERIFIQUE SIEMPRE LO SIGUIENTE ANTES DEL FUNCIONAMIENTO

- Las patas están completamente desplegadas desde la posición de guardadas (vea las instrucciones de montaje, 5)
- El mástil está completamente fijo en su posición (vea las instrucciones de montaje, 4)
- Las patas se abren y cierran satisfactoriamente cuando se acciona el pedal.
- Coloque la unidad de alimentación eléctrica en el soporte del mástil y asegúrese de que el pestillo de retención esté completamente enganchado y haga 'clic' para fijarse en su lugar.
- El botón rojo de parada de emergencia, situado en el panel de control, está en la posición OUT.
- Presione los botones de SUBIR y BAJAR del control manual y confirme que el brazo funciona correctamente.

5. Precauciones de seguridad

Por favor, lea y siga las precauciones de seguridad que figuran más abajo. El funcionamiento y uso del elevador para pacientes Oxford es sencillo y fácil de comprender. Siguiendo estas precauciones básicas de seguridad, las operaciones de elevación serán fáciles y estarán libres de problemas.

LEA Y COMPRENDA EL MANUAL DE INSTRUCCIONES DEL USUARIO ANTES DE UTILIZAR SU ELEVADOR “ADVANCE”

ADVERTENCIA: Información de seguridad importante sobre peligros que podrían ocasionar lesiones serias.

PRECAUCIÓN: Información para evitar daños al aparato.

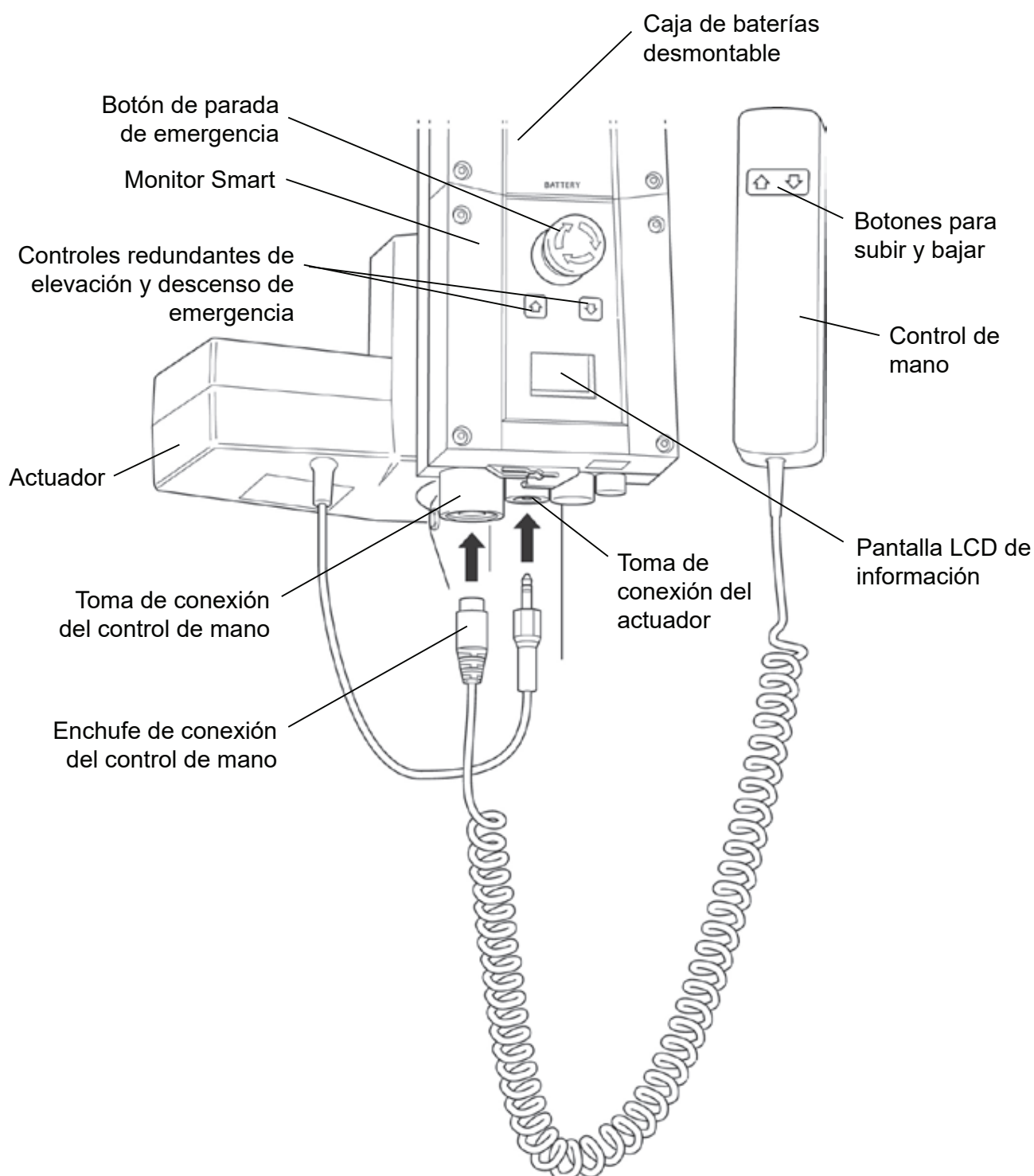
NOTA: Información a la cual usted debe prestar atención especial.

⚠ ADVERTENCIA

- **Solamente personal de salud capacitado y competente debería operar los elevadores de pacientes Oxford.**
- **SIEMPRE planifique sus operaciones de elevación antes de comenzar.**
- **SIEMPRE verifique la LISTA DE COMPROBACIÓN DIARIA antes de utilizar el elevador.**
- **SIEMPRE familiarícese con el control de funcionamiento y características de seguridad de un elevador antes de levantar a un paciente.**
- **NO utilice una eslinga a no ser que esté recomendada para su uso con el elevador.**
- **Verifique SIEMPRE que la eslinga es adecuada para el paciente en particular y que su tamaño y capacidad son correctos.**
- **No utilice NUNCA una eslinga si está deshilachada o presenta signos de daño.**
- **Encaje SIEMPRE la eslinga de acuerdo con las instrucciones que se indican (instrucciones del usuario).**
- **SIEMPRE compruebe que la carga de trabajo de seguridad del elevador es adecuada para el peso del paciente.**
- **SIEMPRE lleve a cabo las operaciones de elevación de acuerdo con las instrucciones en el manual del usuario.**
- **NUNCA desconecte o deje de realizar un control de seguridad o característica de seguridad porque parezca más fácil para el funcionamiento del elevador.**
- **NO levante a un paciente con los frenos de las ruedas activados. Deje siempre que el elevador encuentre el centro correcto de gravedad.**
- **NO intente maniobrar el elevador empujando el mástil, el larguero o al paciente.**
- **SIEMPRE maniobre el elevador por el asidero.**
- **SIEMPRE haga descender al paciente a la posición cómoda más baja posible antes de transferirlo.**
- **NO empuje un elevador cargado a velocidades que superen un ritmo de caminar lento (3 kilómetros/hora, 0,8 metros/segundo).**

- **NO empuje el elevador sobre terreno irregular o accidentado, especialmente cuando esté cargado.**
- **NO intente empujar/tirar de un elevador cargado sobre una obstrucción en el suelo, que las ruedas no sean capaces de salvar.**
- **NUNCA fuerce un control de funcionamiento/seguridad. Todos los controles son fáciles de utilizar y no requieren el uso de una fuerza excesiva.**
- **La carga MÍNIMA necesaria para bajar el elevador de manera manual utilizando la función mecánica de descenso de emergencia equivale a 30 kg.**
- **NO aparque un elevador cargado sobre NINGUNA superficie en cuesta.**
- **NO utilice elevadores eléctricos en una ducha.**
- **NO cargue un elevador eléctrico en un baño o en una ducha.**
- **NO levante a un paciente a no ser que esté entrenado y sea competente para hacerlo.**
- **SU elevador está destinado a levantar pacientes. NO lo utilice, ni permita que se utilice, para cualquier otro fin.**
- **NO lleve el elevador dando tumbos hacia abajo en escaleras, tanto si está cargado como si está descargado.**
- **NO intente pasar con un elevador cargado por una pendiente que supere 1:12 (aproximadamente 5 grados).**
- **NO intente pasar con el elevador por una pendiente sin que haya alguien para ayudarlo.**
- **SIEMPRE compruebe que el elevador no esté cargándose antes de moverlo, ya que la conexión eléctrica podría dañarse.**

6. Monitor Smart y control de mano



Uso destinado

El monitor inteligente, Oxford Smart Monitor, es un sistema de control para los elevadores Oxford Mobile. El monitor inteligente almacena información útil sobre el mantenimiento del elevador disponible para consultar cuando sea necesario. Esta información sobre el mantenimiento incluye:

- Cantidad de ciclos de elevaciones de pacientes
- Total de trabajo ejecutado por el actuador
- Cantidad de sobrecargas de elevación (intentos de elevación por encima de la carga de trabajo máxima permitida)
- Cantidad de días desde el último intervalo de mantenimiento

El monitor Smart Oxford incorpora un microprocesador que permite leer los datos de mantenimiento a través de la pantalla LCD integrada.

Características

- Recopilación de datos en el panel de control con datos visualizados en la pantalla LCD
- Contador de trabajo
- Contador de ciclos inteligente
- Indicador de tareas de mantenimiento
- Indicador de frecuencia de mantenimiento
- Información de sobrecarga
- Indicador de nivel de carga de las baterías de tres pasos




Beneficios

- Mayor seguridad tanto para el paciente como para el proveedor de cuidados
- Datos de mantenimiento precisos con solo tocar un botón
- Vida útil del producto optimizada
- Facilidad para realizar tareas de mantenimiento tanto para ingenieros como para los técnicos
- Identificación de errores rápida y fácil

Pantalla LCD

El monitor Smart Oxford incorpora un microprocesador que permite emitir la lectura de los datos de mantenimiento a través de la pantalla LCD integrada. Es posible emitir la lectura de los totales de los ciclos de elevación, los totales de trabajos realizados, de sobrecargas y la cantidad de días desde el último mantenimiento, datos que pueden utilizarse para evaluar el estado de el actuador de elevación de manera fácil y rápida.

Puede acceder a esta información pulsando durante medio segundo el botón "UP" (ARRIBA) del control de mano del usuario o el botón redundante "UP" (ARRIBA) del Monitor inteligente.

	12034	—	Total de ciclos de elevación
A*S	1257000	—	Total de trabajo ejecutado (Amps * Segundos)
	7	—	Cantidad de sobrecargas
	90/180	—	Cantidad de días (desde el último mantenimiento) / Cantidad de días (entre mantenimientos)

Información sobre mantenimiento y uso



Cuando es momento de realizar el mantenimiento, aparecerá en la pantalla el símbolo correspondiente al mantenimiento. Además, cuando está activado el control de mano del usuario, el monitor inteligente emitirá una señal sonora para avisar al usuario que se necesita una operación de mantenimiento.

El símbolo de mantenimiento aparecerá cada vez que pulse las teclas hacia arriba o abajo en el control de mano del usuario. Cuando aparezca el símbolo de mantenimiento, póngase en contacto de inmediato con su agente de servicio autorizado para organizar el mantenimiento.

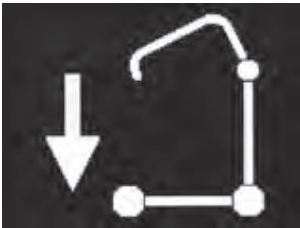


Si el elevador se detiene debido a una sobrecarga (si intenta levantar más peso de la carga máxima segura) aparecerá el símbolo de sobrecarga en la pantalla LCD y el elevador dejará de funcionar hasta que haya eliminado la carga adicional (por encima de la carga máxima segura).

⚠ ADVERTENCIA

Si la pantalla LCD del monitor inteligente hubiese registrado una sobrecarga, Joerns Healthcare recomienda que TODAS las tareas diarias de control se lleven a cabo en el elevador antes de su utilización (para obtener una lista de controles diarios, consulte el manual de usuario del elevador). Joerns Healthcare también recomienda que se ponga en contacto con su agente autorizado de servicios Oxford para obtener más orientación.

Controles redundantes integrados



Los controles redundantes integrados permiten que el elevador suba o baje en caso de emergencia.

Información sobre la batería



Si aparece el icono de la batería completa, significa que la batería está completamente cargada y lista para usar.



Si aparece el icono de la batería a la mitad, significa que necesita cargar la batería.



Si aparece el icono de la batería vacía, significa que la batería carece de capacidad y debe cargarla de inmediato.

⚠ ADVERTENCIA

A fin de evitar posibles daños permanentes en la batería, debe colocar la batería a cargar en cuanto la pantalla indique el símbolo de la batería a la mitad.

7. Instrucciones de funcionamiento

⚠ ADVERTENCIA

Solamente personal de salud capacitado y competente debería operar los elevadores de pacientes Oxford.

1. Ajuste de las patas

Las patas del Oxford Advance son ajustables en cuanto a su anchura. Las patas pueden abrirse para permitir el acceso alrededor de sillas o de sillas de ruedas. Para transferir y negociar puertas y pasajes, las patas del elevador deben estar bien bloqueadas en la posición cerrada.

Para operar el ajuste, el pedal de ajuste de las patas, ubicado en la parte trasera de la base, se presiona en el lado derecho para abrirlas en el lado izquierdo para cerrarlas. El ajuste se puede realizar mientras el paciente está en la grúa.

⚠ ADVERTENCIA

Nunca realice una elevación/transferencia con las patas en posición cerrada/de transporte (las ruedas delanteras se tocan). La posición cerrada/de transporte es solo para el almacenamiento y transporte de la unidad.

2. Ruedas y frenos

El elevador tiene dos ruedas con frenos, que se pueden aplicar para dejarlo aparcado. Cuando se realiza la elevación, las ruedas se deben dejar libres y sin frenos, para que el elevador pueda moverse hasta el centro de gravedad. NO aplique los frenos. Si se aplican los frenos, el paciente puede oscilar hacia el centro de gravedad y esto puede resultar angustioso e incómodo.

3. Subir y bajar el larguero

El movimiento del larguero se consigue mediante un potente actuador eléctrico, que está controlado por un sencillo control de mano. El control de mano tiene dos botones, con flechas direccionales ELEVAR y DESCENDER. El actuador se detiene automáticamente en el límite del desplazamiento en ambas direcciones. El control de mano se enchufa en un enchufe en la base del cuadro de control. Hay un gancho en la parte posterior del control de mano, que sirve para dejarlo en el mástil o en el larguero cuando no esté en uso.

4. Para de emergencia

El botón de parada de emergencia rojo está situado en la parte posterior del cuadro de control y se activa pulsándolo. Esta acción de pulsarlo corta la alimentación eléctrica al elevador y sólo se puede desarmar girando el botón en sentido contrario a las agujas del reloj y soltándolo.

5. Controles redundantes

Todos los elevadores Oxford están equipados con botones de ELEVAR y DESCENDER en el panel de control. Estos están ubicados debajo del botón de parada de emergencia y se pueden utilizar para bajar o subir al paciente si se produjese un fallo en el control de mano.

6. Descenso mecánico de emergencia

En caso de un fallo eléctrico completo, el actuador eléctrico está equipado con un dispositivo de descenso mecánico (RED BOSS). Esta característica sólo funcionará cuando el elevador tenga carga. Hay que tirar del dispositivo hacia arriba y comenzará un lento descenso.

Nota: La carga MÍNIMA necesaria para bajar el elevador de manera manual utilizando la función mecánica de descenso de emergencia equivale a 30 kg.

7. Baterías

Las baterías están protegidas de una fuerte descarga por una ALARMA DE VOLTAJE BAJO. Esta alarma dará un sonido cuando las baterías necesiten recarga y se esté manejando el control de mano. No sonará si el control de mano no se está manejando.

PRECAUCIÓN: NO IGNORE ESTA ALARMA DE ADVERTENCIA. Complete la operación de elevación y coloque el elevador en carga (vea las instrucciones de carga).

8. Eslingas

La eslinga seleccionada se acopla a los ganchos de la barra separadora. Cada arnés se suministra con instrucciones. Por favor, estudie la guía de instrucciones del elevador y el arnés antes de utilizarlos. Una vez que haya seleccionado la eslinga correcta para el paciente, sujétela a los ganchos de la barra de extensión.

NOTA: Para obtener instrucciones de colocación más detalladas, consulte la guía del usuario proporcionada con cada eslinga.

ADVERTENCIA

Joerns Healthcare recomienda comprobar las eslingas regularmente y, en especial, antes del uso por si están deshilachadas o dañadas. **NO** utilice eslingas que estén desgastadas o dañadas.

ADVERTENCIA

OXFORD RECOMIENDA UTILIZAR PRODUCTOS AUTÉNTICOS OXFORD. Los sistemas Oxford de eslingas y elevación tienen un diseño que los hace compatibles entre sí. Para obtener información y consejos específicos acerca del uso y compatibilidad de las eslingas, consulte la etiqueta de la eslinga, o bien comuníquese con su distribuidor local de mercado o con Joerns Healthcare.

ADVERTENCIA

Consulte la capacidad de peso máximo del elevador. La capacidad de la eslinga está limitada por la capacidad máxima del elevador.

Instrucciones de Carga de Baterías

Cuando la central eléctrica necesita recarga, se la extrae del elevador y se conecta a una unidad externa de carga.

Joerns Healthcare recomienda disponer de otra central eléctrica, de manera que una esté recargada continuamente.

1. Extraiga la central eléctrica del elevador. La central está sujeta por un simple pestillo en la parte superior de la misma. Levante el pestillo y la central eléctrica quedará liberada.
2. Conecte la central eléctrica con la unidad de carga. La colocación y sujeción de la central eléctrica con el cargador es la misma que para el elevador.
3. Conecte el enchufe del cargador a una toma de electricidad y encienda la fuente de energía.
4. La acción de carga es automática y llenará totalmente las baterías en un período de entre cuatro (4) horas. **Nota:** Incluso si deja el cargador conectado durante períodos extensos no permitirá que se produzca una sobrecarga en las baterías.

a) Luz verde: Indica que el suministro eléctrico está encendido.

b) Luz amarilla: Indica que la batería se está cargando.

c) Las baterías estarán totalmente cargadas cuando se apague la luz amarilla.

Nota: Se recomienda que cargue la batería no bien reciba el producto.

5. Para hacer funcionar de nuevo el elevador, APAGUE la red de suministro eléctrico y desconecte el cargador de la central eléctrica. Coloque la unidad de alimentación eléctrica en el soporte del mástil y asegúrese de que el pestillo de retención esté completamente enganchado y haga 'clic' para fijarse en su lugar. Si bien la carga de los elevadores eléctricos Oxford es simple sencilla, es importante que siga las instrucciones de carga con precaución. Preste especial atención a los puntos siguientes, que le ayudarán a evitar problemas con las baterías descargadas.

ADVERTENCIA

- **La batería, el cargador, el control de mano y la caja de control NO deben ser abiertos por personal no autorizado. (Comuníquese con el distribuidor por reparaciones y reclamos de la garantía).**
- **NO toque las terminales de la batería ni el cargador.**
- **MANTENGA las baterías completamente cargadas. Ponga la batería a cargar siempre que no esté utilizando el dispositivo. Si le resultase más práctico, póngala a cargar durante la noche. El cargador no permitirá que las baterías se sobrecarguen.**
- **NUNCA permita que las baterías se gasten por completo. No bien suene la alarma de advertencia, complete la operación de elevación y ponga a cargar la batería.**
- **A fin de evitar posibles daños permanentes en la batería, debe colocar la batería a cargar en cuanto la pantalla indique el símbolo de la batería a la mitad.**
- **NUNCA almacene la batería durante largos períodos de tiempo sin realizar cargas periódicas durante el período de desuso.**
- **SIEMPRE compruebe que la toma del cargador a la red de suministro eléctrico esté apagada antes de conectar o desconectar la batería.**

- **NUNCA** deje la batería conectada con la toma del cargador a la red de suministro eléctrico apagada.
- **NO** deje el cargador encendido con la batería desconectada.
- **NO** use el elevador mientras carga la batería.
- **COMPRUEBE** que el elevador no se esté cargando antes de desplazarlo, ya que podría dañar la conexión eléctrica.
- **NUNCA** desconecte la toma del cargador tirando del cable.
- **PROCURE** no tropezar con el cable del cargador.
- **NO** cargue el elevador eléctrico en el cuarto de baño.

8. Programa de mantenimiento y Lista de verificaciones diarias

Todos los productos Oxford están diseñados para precisar el menor mantenimiento posible; sin embargo, son necesarios algunos controles y revisiones de seguridad. Recomendamos que se efectúen DIARIAMENTE las siguientes verificaciones. Las verificaciones diarias, junto con una inspección de mantenimiento y prueba semestral y prueba anual, permiten la conservación del elevador en condiciones óptimas de funcionamiento y seguridad. Si la solicita, le enviaremos una lista de piezas de repuesto disponibles.

La PRUEBA DE CARGA y certificación solo pueden llevarse a cabo por personal calificado, o un agente o distribuidor de mantenimiento autorizado.

LISTA DE VERIFICACIONES DIARIAS: Joerns Healthcare recomienda llevar a cabo las siguientes verificaciones con una frecuencia diaria antes de utilizar el elevador.

- ASEGÚRESE de que las ruedas del elevador se mueven con normalidad.
- ASEGÚRESE de que el soporte de seis puntos gira y se balancea con libertad de movimientos.
- EXAMINE y COMPRUEBE que el soporte de seis puntos está firmemente sujeto al brazo.
- COMPRUEBE que los amarres y ganchos del arnés del soporte de seis puntos no presentan daños ni signos de desgaste excesivo.
- COMPRUEBE que las patas abren y cierran correctamente y pueden quedar trabados con seguridad en todas las posiciones abiertas y cerradas.
- ACCIONE el control de mano para comprobar que el brazo sube y baja de manera correcta.
- ASEGÚRESE de que el panel de visualización de del control NO PRESENTE un símbolo de llave encendido ni se oiga una señal al pulsar los botones de subir y bajar.
- COMPRUEBE el buen funcionamiento del botón de parada de emergencia.
- EXAMINE los arneses para determinar si se ha producido un desgaste excesivo. NO utilice los arneses si detecta signos de daños o desgaste.
- CONFIRME que no suene la alarma de baja batería del elevador cuando acciona el control de mano. Si sonase la alarma, NO use el dispositivo y ponga a cargar las baterías.
- ASEGÚRESE de que los puntos de conexión del actuador estén seguros.
- Realice una INSPECCIÓN VISUAL de todas las piezas de fijación y anclaje y asegúrese de que todas ellas están instaladas de forma segura antes de su uso.

Mantenimiento, Inspeccion Y Prueba

Joerns Healthcare recomienda llevar a cabo una inspección exhaustiva y pruebas del sistema de elevación, accesorios, arneses, balanza, etc. del Oxford Calibre con una frecuencia regular. La frecuencia de las inspecciones varía dependiendo de la localidad, de manera que debe hacer las averiguaciones pertinentes con su distribuidor o agencia local de gobierno, según corresponda, en lo que respecta a la frecuencia con que se requieren las inspecciones y verificaciones. Las pruebas deben llevarse a cabo según las recomendaciones y procedimientos descritos en este manual. Joerns Healthcare recomienda que solo agentes o distribuidores autorizados efectúen las tareas correspondientes de mantenimiento, inspección y pruebas con certificado.

NOTA: Estas recomendaciones cumplen con los requisitos de la normativa de 1998, N° 2307, sobre Salud y Seguridad: Regulaciones sobre operaciones para levantar pacientes y equipos de elevación. Esta es una normativa que rige en el Reino Unido. Fuera del Reino Unido, compruebe cuáles son los requisitos de su ente oficial.

Limpieza

Limpie con jabón corriente y agua, y/o con cualquier desinfectante para superficies duras. Deben evitarse limpiadores químicos o abrasivos, ya que pueden dañar el acabado de la superficie del elevador. No moje ninguna pieza eléctrica. Después de la limpieza, la unidad debe secarse completamente.

Eliminación al final de la vida útil

Batería: Todas las baterías del producto y los accesorios que lo acompañan deben reciclarse por separado. Las baterías deben desecharse de acuerdo con las normas o reglamentos locales o nacionales.

Arneses: Los arneses y accesorios de material asociados deben clasificarse como residuos combustibles de acuerdo con las normativas locales o nacionales.

***ESTAS COMPROBACIONES DEBEN INCLUIR:**

	Inicialmente	Antes del uso	Intervalos de servicio
1. BARRA DE EXTENSIÓN: Compruebe la barra de extensión para verifique si tiene libertad de rotación y giro. Compruebe si hay desgaste en el pivote central. Compruebe que está sujeta firmemente al larguero.	✓	✓	✓
2. LARGUERO: Compruebe la sujeción del larguero al mástil. Asegúrese de que sólo exista un mínimo movimiento lateral del larguero y de que el larguero esté libre para girar en su rodamiento.	✓	✓	✓
3. MÁSTIL: Verifique el funcionamiento del dispositivo de bloqueo del mástil. Asegúrese de que el mástil encaja completamente en el alojamiento. Verifique el montaje actuador inferior.	✓	✓	✓
4. ACTUADOR: El actuador no requiere otro mantenimiento que comprobar su funcionamiento correcto y escuchar si hay ruido no usual.			✓
5. MONITOR SMART: Compruebe el buen funcionamiento del botón de parada de emergencia. Compruebe que la toma del control de mano esté en perfecto estado. Verifique que el control de mano funciona correctamente. Verifique los controles redundantes y confirme que funcionan correctamente. Nota: La carga MÍNIMA necesaria para bajar el elevador de manera manual mecánica de descenso de emergencia equivale a 30 kg.	✓	✓	✓
6. BATERÍAS: Las baterías están alojadas en el conjunto de alimentación eléctrica y no requieren ningún mantenimiento más que su carga regular tal y como se detalla en las instrucciones de carga. Compruebe que las conexiones están limpias.			✓
7. AJUSTE DE LAS PATAS: Compruebe que las patas funcionan en toda su extensión (hacia dentro/hacia fuera)	✓	✓	✓
8. RUEDAS: Compruebe que todas las ruedas están firmemente sujetas a las patas. Verifique la libre rotación de las ruedas y de sus pivotes.	✓	✓	✓
9. LIMPIEZA: Limpie con jabón corriente y agua, y/o con cualquier desinfectante para superficies duras. Deben evitarse limpiadores químicos o abrasivos, ya que pueden dañar el acabado de la superficie del elevador. No moje ninguna pieza eléctrica. Después de la limpieza, la unidad debe secarse completamente.		✓	✓
10. PRUEBA DE CARGA: La prueba de carga debe realizarse de acuerdo con los procedimientos de prueba del fabricante y la directiva detallada en EN ISO 10535:2006 - Anexo B - Inspección Periódica B1 – véase el extracto a continuación. Se recomienda encarecidamente realizar la prueba por un servicio técnico autorizado.			✓
11. BASE Y RUEDAS: Asegúrese de que la base está colocada de manera uniforme y nivelada (las cuatro ruedas están en contacto con el suelo).	✓	✓	✓
12. ESLINGAS: Vea si están desgastadas o deshilachadas.	✓	✓	✓

	Inicialmente	Antes del uso	Intervalos de servicio
13. LUBRICACIÓN: Las juntas de pivote, incluyendo las conexiones del mástil y el brazo, el ensamble del pedal y la junta del soporte de seis puntos (solo si es necesario) utilizando grasa lubricante apta para contacto con alimentos.			✓
14. PIEZAS DE FIJACIÓN: Compruebe que todas las tuercas, pernos, tornillos y piezas de sujeción no presenten signos de desgaste excesivo ni estén ajustados en exceso. De ser necesario, reemplácelos.			✓

EN ISO 10535:2006

Anexo B

(Informativo)

Inspección periódica

B. 1 Se debe realizar una inspección periódica del elevador en los intervalos de tiempo indicados por el fabricante, pero al menos una vez al año. Por inspección periódica se entiende un examen visual (en particular de la estructura portante del elevador y del mecanismo de elevación con accesorios, frenos, controles, dispositivos de seguridad y dispositivos de apoyo para el usuario) además de cualquier otra prueba de funcionamiento y medidas de mantenimiento que puedan ser necesarias, por ejemplo, ajuste de los frenos y de tornillos.

Cada inspección debe incluir una prueba de carga de trabajo de un (1) ciclo de elevación con la carga máxima.

9. Especificaciones técnicas del Oxford Advance

Carga de trabajo segura	341 lbs.....	155Kgs
Longitud total máxima	51 pulg.....	1300mm
Longitud total mínima	49 pulg.....	1250mm
Altura total máxima.....	73 pulg.....	1860mm
Altura total mínima	53,5 pulg.....	1360mm

Dimensiones plegado

Altura.....	17,1 pulg.....	450mm
Profundidad	46,4 pulg.....	1180mm
Anchura.....	21,6 pulg.....	550mm

Altura máxima de la barra de extensión	66,5 pulg.....	1690mm
Altura mínima de la barra de extensión (utilizable)	15,3 pulg.....	390mm

Altura en alcance máximo	46 pulg.....	1170mm
Alcance en altura máxima	25,6 pulg.....	650mm
Alcance en altura mínima	13,7 pulg.....	350mm
Alcance máximo*	32,8 pulg.....	835mm
Radio de giro	55,9 pulg.....	1420mm
Patas abiertas - Anchura externa	42,5 pulg.....	1080mm
Patas abiertas - Anchura interna	39,3 pulg.....	1000mm
Patas cerradas - Anchura externa.....	26,3 pulg.....	670mm
Patas cerradas - Anchura interna.....	22,4 pulg.....	570mm
Altura total de las patas.....	4,5 pulg.....	115mm
Distancia al suelo	1,1 pulg.....	30mm
Par de ruedas delanteras.....	3,0 pulg.....	75mm
Ruedas traseras con freno	3,9 pulg.....	100mm

*Alcance = distancia entre el centro de la barra de extensión y la parte delantera del mástil.

Pesos

Mástil, base y conjunto de larguero.....	63,1 lbs.....	28,9kgs
Conjunto de batería.....	6,6 lbs.....	3,0kgs
Total	70,3 lbs.....	31,9kgs
Conjunto de la base (sin incluir batería)	32,8 lbs.....	14,9kgs
Mástil y larguero (sin incluir batería).....	30,9 lbs.....	14,0kgs

Todas las medidas tienen un grado de +5/-5 de tolerancia.

SPECIFICACIONES ELÉCTRICAS

BATERÍAS.....	Selladas y recargables de plomo-ácido de 24 voltios
CAPACIDAD DE BATERÍAS:.....	3,2 Ah
ENTRADA MEDIDA DEL CARGADOR	100 - 240 V AC 50/60 Hz Max 400 mA
SALIDA MEDIDA DEL CARGADOR.....	27,4/ 29,0 V DC a 0,8 A

PROTECCIÓN CONTRA DESCARGA ELÉCTRICA

CARGADOR.....	CLASE II
ELEVADOR.....	FUENTE DE ENERGÍA INTERNA

GRADO DE PROTECCIÓN CONTRA DESCARGA ELÉCTRICA

CARGADOR.....	TIPO B
ELEVADOR.....	TIPO B

CONDICIONES AMBIENTALES

Al aire libre, la funcionalidad y seguridad especificadas pueden verse comprometidas.

RANGO DE TEMPERATURA Y HUMEDAD

TEMPERATURA	>+5°C a <+40°C
HUMEDAD RELATIVA.....	20% a 90% a 30°C (no condensada)
PRESIÓN ATMOSFÉRICA	700 - 1060 Hpa

ALMACENAMIENTO

TEMPERATURA	>-10°C a <+50°C
HUMEDAD RELATIVA.....	20% a 90% a 30°C (no condensada)
PRESIÓN ATMOSFÉRICA	700 - 1060 Hpa

CLASIFICACIONES IP

CAJA DE CONTROL.....	IPX4
ACTUADOR	IPX4
CARGADOR EXTERNO	IPX5
BATERÍA.....	IPX5
CONTROL DE MANO.....	IPX5

CICLOS DE TRABAJO

ACTUADOR	10% (2 min. / 18 min.)
CARGADOR.....	4 horas (aprox.)

ACÚSTICA

NIVEL DE POTENCIA DE SONIDO (ESCALA PONDERACIÓN A).....	64 dB
---	-------

EXPLICACIÓN DE LOS SÍMBOLOS:

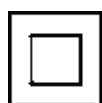
Los signos enunciados a continuación se utilizan en el cargador, la unidad de control y la batería:



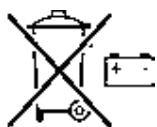
Este producto es un Dispositivo Médico de acuerdo con la Ordenanza de Dispositivos Médicos de la UE 2017/745.



Equipo de tipo B, según EN 60601-1



Equipo de clase



La batería no debe desecharse junto con los residuos domésticos. Las baterías deben desecharse de acuerdo con las normas o reglamentos locales o nacionales.



Las piezas de electrónica no deben desecharse junto con los residuos domésticos



Para uso en interiores solamente



ATENCIÓN: consulte los documentos adjuntos



Consulte las instrucciones del usuario antes de usar

WEEE Producers - Número de registro: WEE/GG0464RZ

10. Garantía

Joerns Healthcare cuenta con una red establecida de distribuidores autorizados y agentes técnicos que estarán gustosos de responder a todas sus inquietudes respecto a la adquisición, garantía, reparación y mantenimiento de los productos. Se recomienda que un distribuidor autorizado o agente técnico encarguen nuestros productos.

El distribuidor o representante opera el Programa de la garantía; de manera que es importante conservar el nombre, dirección y teléfono para poder establecer contacto en caso de que surja algún problema. Si tiene dudas acerca del lugar de compra del elevador, Joerns Healthcare puede ubicar al proveedor si usted cita el número de serie del producto.

Todas las reclamaciones respecto de la garantía están sujetas a la correcta utilización y mantenimiento del producto, de acuerdo con el manual de instrucciones suministrado con cada elevador. La garantía pierde validez ante cualquier daño causado por el uso en condiciones ambientales inadecuadas o por falta de mantenimiento del producto según las instrucciones de mantenimiento para el usuario. Sus derechos legales no se verán afectados.

RECUERDE: Póngase en contacto con su distribuidor autorizado o agente técnico por adquisiciones, reparaciones, servicio y mantenimiento certificados.

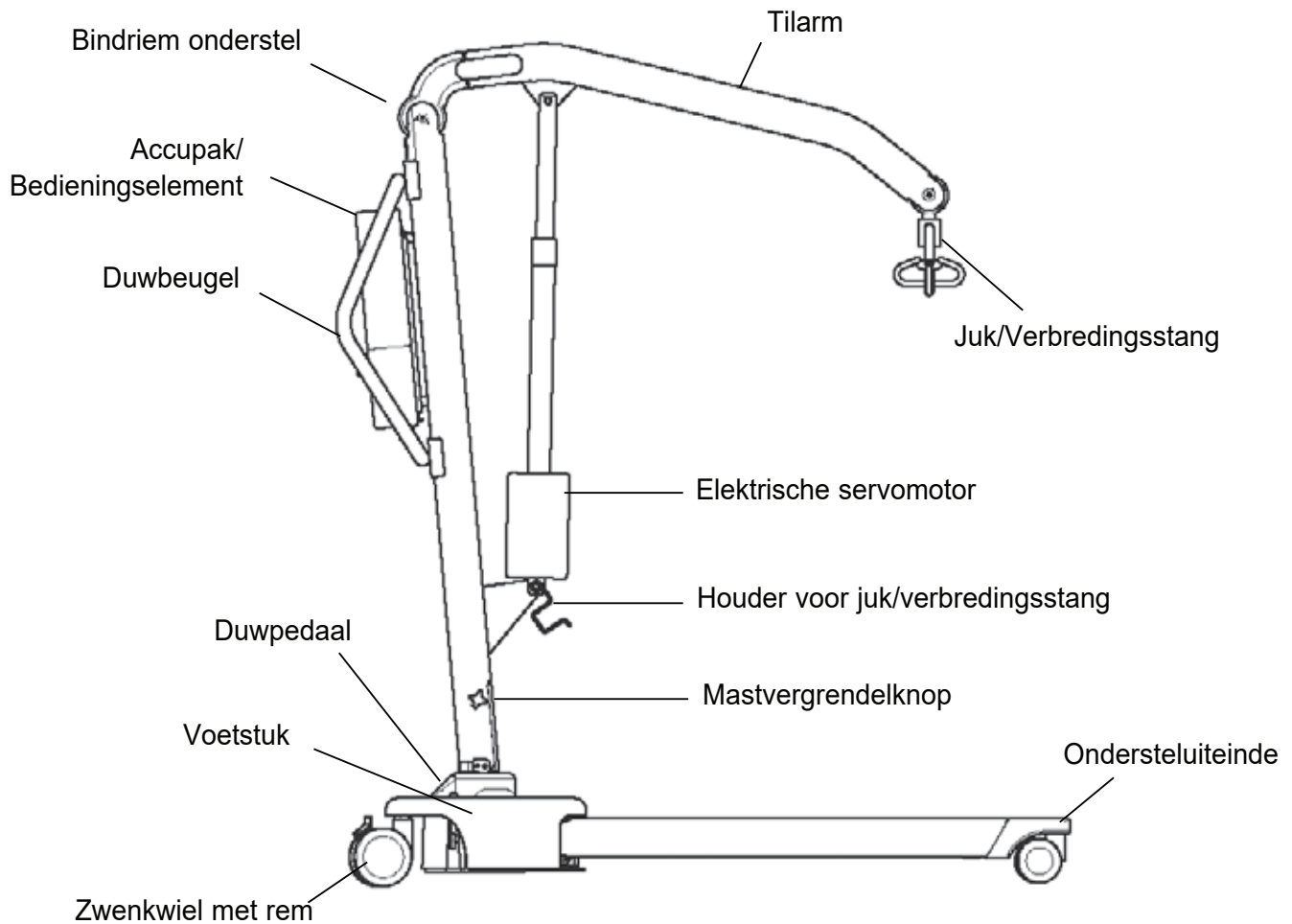
Su distribuidor:

Inhoudsopgave

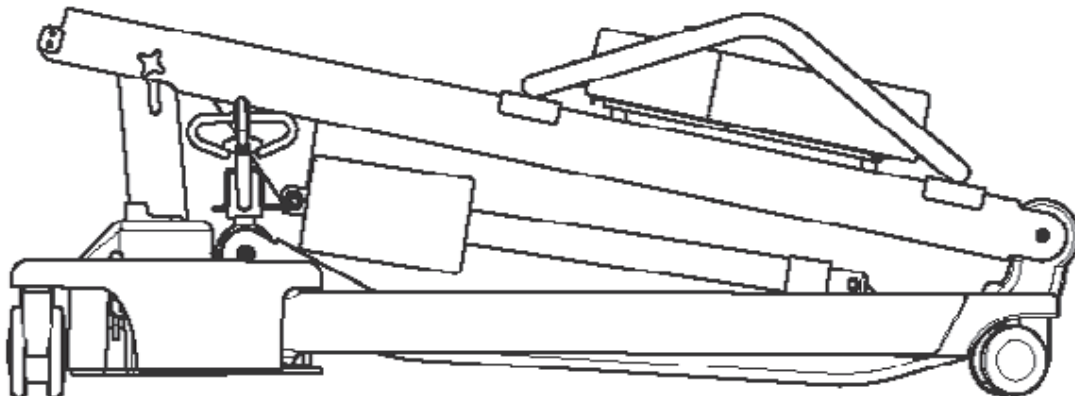
1. Oxford Advance patiëntentillift	107
2. Inleiding: Over Uw Tillift	108
3. Instructies voor montage en inbedrijfstelling.....	109
4. Demontage.....	111
5. Veiligheidsmaatregelen.....	114
6. Smart Monitor & Handset.....	116
7. Bedieningsinstructies.	120
8. Onderhoudsschema & Dagelijkse Controlelijst.....	124
9. Technische specificaties	128
10. Garantie.....	131

1. De Oxford Advance Patiëntentillift

Oxford Advance Tillift (Gereed Voor Gebruik)



Oxford Advance Tillift (Opslagpositie)



2. Inleiding: Over Uw Tillift

De Oxford Advance is een elektrische tillift. Elke Advance tillift wordt volledig gemonteerd, onderworpen aan een belastingstest en gecertificeerd voordat hij verpakt en wordt verscheept.

De verpakking bestaat uit een sterke, speciaal ontworpen doos die voor zowel de externe als de interne markt wordt gebruikt om zeker te zijn van een behouden aankomst van de lift. Bij iedere tillift worden een aantal documenten in een map geleverd en deze moeten op een veilige plaats worden opgeborgen zodat zij in de toekomst eventueel geraadpleegd kunnen worden.

- TESTCERTIFICAAT
- GEBRUIKERSHANDLEIDING

Het TESTCERTIFICAAT is een belangrijk document en is vereist voor uw verzekeringsgegevens. Het is zes maanden lang geldig en nadat het verlopen is moet de tillift volgens het onderhoudsschema geïnspecteerd worden. Onderhoudsbeurten en periodieke tests kunnen door uw geautoriseerde leverancier uitgevoerd worden. Zorg er a.u.b. voor dat uw tillift in zijn onderhoudsschema opgenomen is. Als u er niet zeker van bent wat de onderhoudsvereisten zijn in uw land, controleer dit dan a.u.b. met uw dealer en/of uw plaatselijke overheidsinstelling.

⚠ WAARSCHUWING

Voorafgaand aan het dagelijkse gebruik van uw lift moeten de controles worden uitgevoerd zoals vermeld in de checklist in deze handleiding.

Het CE-merk: De Oxford Advance heeft het CE-merk en voldoet aan de volgende EU-richtlijnen:



- Richtlijn Medische Hulpmiddelen (93/42/EEC)
- Richtlijn EMC (89/336/EEC)
- Laagspanningsrichtlijn (73/23/EEC)

Verklaring van bedoeld gebruik

Deze lift is bedoeld om personen veilig vanaf de ene zit- of ligplaats op te tillen en naar een andere zit-of ligplaats over te brengen. (Bijvoorbeeld van een bed naar een rolstoel.) Joerns Healthcare adviseert voorafgaand aan de transfer van een cliënt een volledige risicobeoordeling uit te voeren en de cliënt uitsluitend veilig over een korte afstand over te brengen.

De Oxford Advance lift is geschikt voor in ZITTENDE, ZITTENDE/LIGGENDE OF LIGGENDE positie.

De Oxford Advance is een elektrisch bediende lift, ontworpen ter ondersteuning en bevordering van een voor de cliënt én zorgverlener veilige omgang en transfer.

De Oxford Advance lift is leverbaar in twee varianten: een model voorzien van een standaard 6-punts juk en een model voorzien van een geïntegreerd elektrische kanteljuk (4-punts). De Oxford Advance lift waarop het 6-punts tiljuk is aangebracht, is ook compatibel met 4-punts jukopties. Deze zijn na aankoop als accessoires verkrijgbaar. Alle configuraties zijn ontworpen om te worden gebruikt met de Oxford tilbanden. Voorbeelden van tilbanden die geschikt zijn voor deze liften zijn:

- Oxford Quickfit
- Oxford Quickfit Deluxe
- Oxford Long Seat
- Oxford Full Back
- Oxford Access sling
- Oxford Silkfit

⚠ WAARSCHUWING

De Oxford patiëntenliften mogen uitsluitend worden bediend door volledig opgeleide/competente verzorgers.

Verwachte levensduur

De tilliften van Oxford voor professioneel gebruik zijn ontworpen en getest voor een minimale levensduur van tien (10) jaar, afhankelijk van het gebruik en de onderhoudsprocedures zoals in de handleiding worden vermeld. Wanneer het product niet volgens deze instructies wordt gebruikt, kan dit een nadelig effect hebben op de levensduur van het product.

Melden van ernstige incidenten

Wanneer tijdens gebruik van dit product een ernstig incident heeft plaatsgevonden, waarbij de patiënt en/of zorgverlener betrokken was/waars, moet dit aan de fabrikant van het product of de erkende distributeur worden gemeld. Indien dit incident heeft plaatsgevonden binnen de Europese Unie (EU), moet het ook aan de bevoegde autoriteit binnen de lidstaat worden gemeld.

3. Instructies voor montage en inbedrijfstelling

Inhoud Van De Doos

Plaats de doos in een vrije werkruimte en maak hem voorzichtig open. De doos bevat:

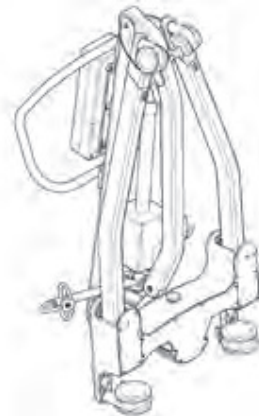
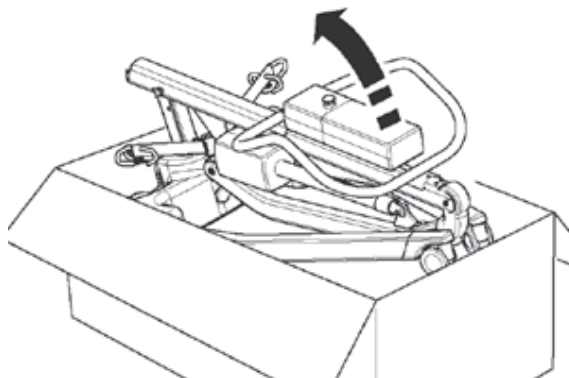
- OXFORD ADVANCE
- MAP MET DOCUMENTEN
- HANDBEDIENING
- ACCUPAK
- ACCULAADSNOER

VEILIGHEIDSAANWIJZING: de Oxford Advance is zwaar en moet voorzichtig opgetild worden. U heeft waarschijnlijk hulp nodig om de Oxford Advance uit de doos te tillen.

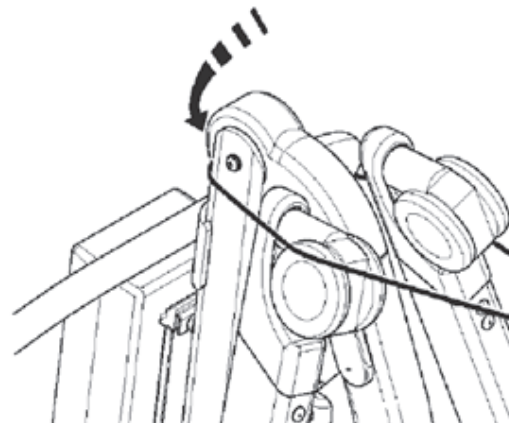
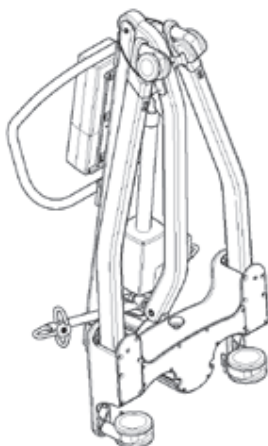
Montage-Instructies

1. Haal alle onderdelen uit de doos en plaats deze op de grond. Let hierbij op dat u de afwerking niet beschadigt.

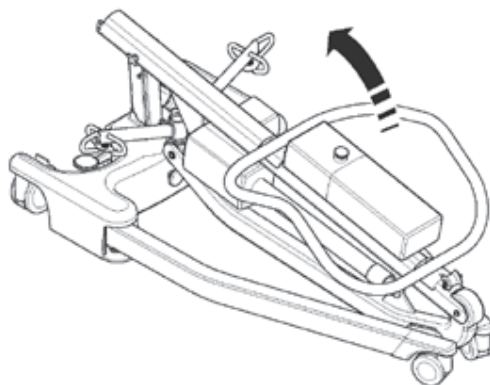
Til de Advance voorzichtig uit de doos. Zet de tillift rechttop (in een driehoekspositie.)



2. Maak onderstel en mast los door de bindriem van de wielen af te halen. Deze riem wordt netjes bovenin de mast ingetrokken.

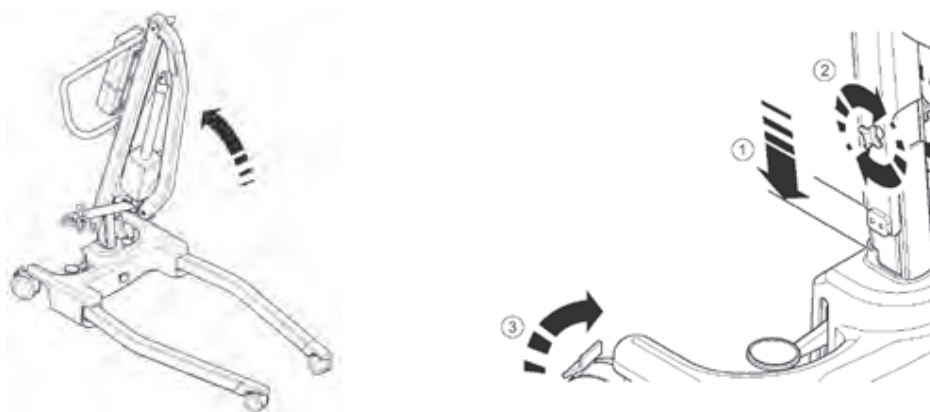


3. Leg de Advance plat op de vloer (zorg ervoor dat de achterste zwenkwielen goed vergrendeld zijn).



4. Til het mastelement rechtop (met behulp van de bovenkant van de duwbeugel) en laat de mast in de opening zakken (1), draai de mastvergrendelknoppen aan (2), schakel de wielrem uit (3).

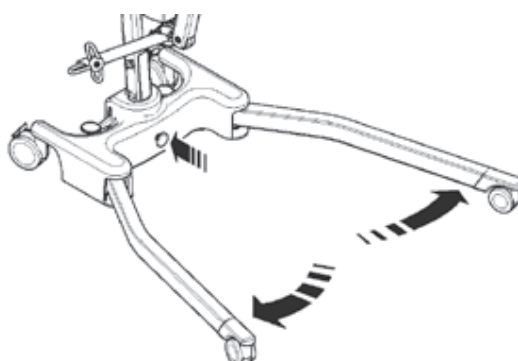
VEILIGHEIDSAANWIJZING: Voorkom dat uw vingers bekneld raken. Houdt uw vingers uit de buurt van het einde van de mast wanneer u deze in de mastopening laat zakken. Draai het mastvergrendelelement vast en ontgrendel de achterste zwenkwielen.



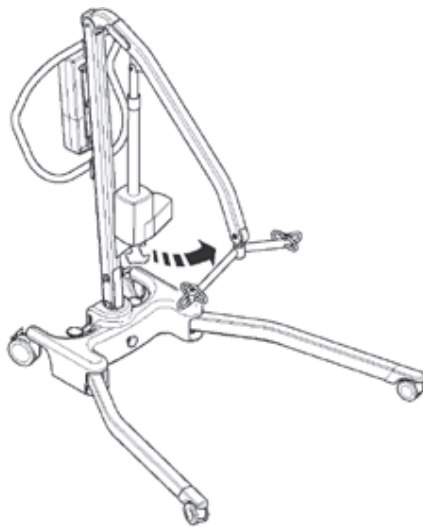
5. Spreidt het onderstel volledig. **CONTROLEER** of de vergrendelingsknop van het onderstel volledig in de basis is gestoken. Hierdoor kan het onderstel niet meer vrij bewegen. Het onderstel kan dan alleen bestuurd worden met behulp van het voetpedaal aan de achterkant van het voetstuk.

⚠ WAARSCHUWING

Als het onderstel **NIET** via het voetpedaal kan worden aangepast, mag de lift **NIET** worden **GEBRUIKT**. Controleer of de vergrendelingsknop van het onderstel goed vastzit. Als de vergrendelingsknop van het onderstel niet volledig vastzit en het onderstel niet door middel van het voetpedaal kan worden aangepast, mag de lift **NIET** worden **GEBRUIKT**. Neem in dat geval contact op met uw erkende Joerns Healthcare dienstverlener voor inspectie en reparatie.

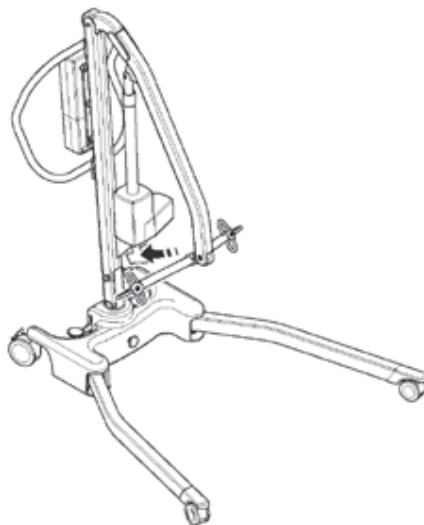


6. Koppel het tiljuk los van de houder. De tillift is nu klaar voor gebruik.

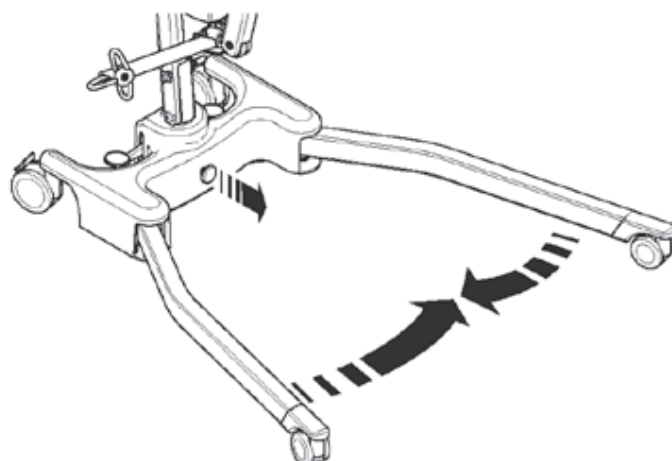


4. Demontage

1. Laat de mast zakken tot in de laagst mogelijke positie en plaats het juk in de houder.



2. Schakel de onderstelvergrendeling uit (door deze van het voetstuk weg te trekken), sluit het onderstel.

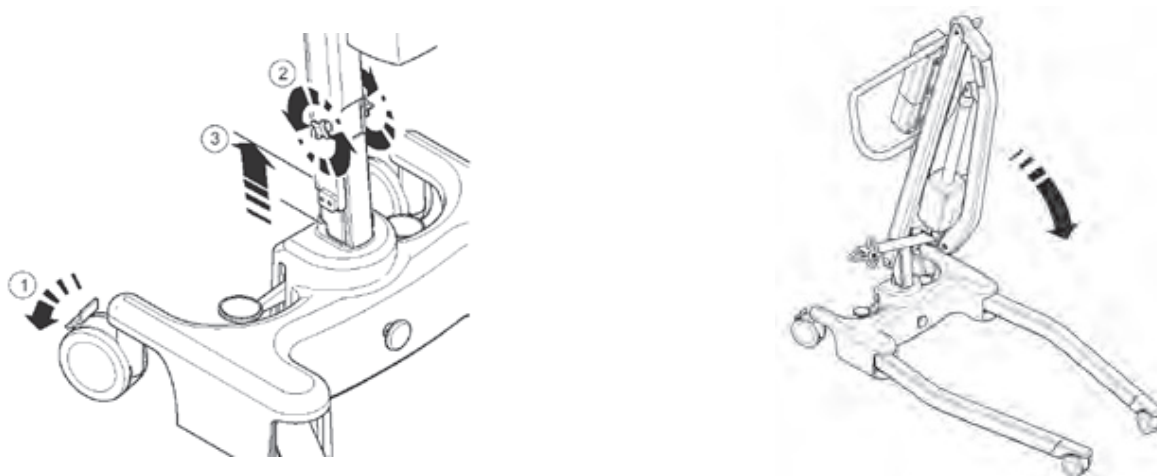


3. Maak het vergrendelingsmechanisme van de mast voldoende los zodat de mast omhoog worden getild. Til de mast volledig omhoog totdat de bovenste stop is bereikt. Vouw de mast voorzichtig in de richting van het onderstel. Hierbij kan ter ondersteuning het duwhandvat worden gebruikt.

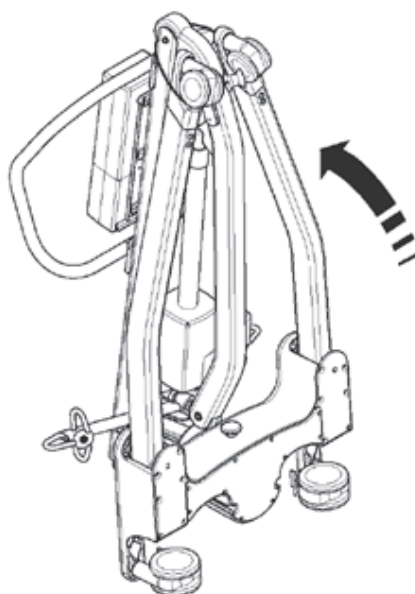
⚠ OPGELET

Oefen **GEEN** kracht uit op de mast wanneer u weerstand voelt bij het vouwen van de mast. Til de mast opnieuw omhoog tot de bovenste stop is bereikt, en probeer de mast opnieuw te vouwen.

LET OP: als u de mast en tilarm volledig van het voetstuk en onderstel wilt losmaken, maak de mastvergrendeling dan geheel los (verwijder) en til de mast en tilarm volledig los van het voetstuk. Let op dat u de knop En hoofdas van de mastvergrendeling niet kwijtraakt.

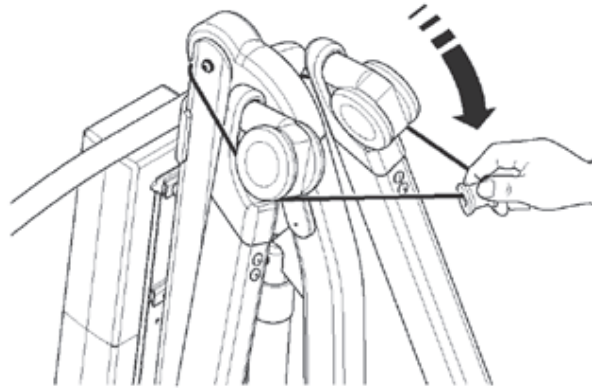


4. Til de opgevouwen Advance rechtop (met behulp van het onderstel en de duwbeugel als richtlijn); zorg ervoor dat de mast en tilarm samen blijven wanneer u het apparaat rechtop zet.



5. Trek de bindriem hard omhoog en breng deze aan over de wielen (Dit zorgt ervoor dat onderstel, mast en tilarm goed samenblijven tijdens transport en opslag).

LET OP: Het opvouwen/uitvouwen van een Advance moet voorzichtig gebeuren aangezien het gevaar bestaat dat vingers bekneld raken enz.. Volg a.u.b. de instructies nauwgezet op en vraag om assistentie wanneer u er niet zeker van bent wat de juiste procedure is.



CONTROLEER ALTIJD HET VOLGENDE VOOR INGEBRUIKNEMING:

- Het onderstel is volledig gespreid en vergrendeld (zie montage-instructies, stap 5)
- De mast is volledig vergrendeld in de juiste positie (zie montage-instructies, stap 4)
- Het onderstel opent en sluit naar tevredenheid wanneer het voetpedaal wordt gebruikt.
- Bevestig het accupack op de beugel op de mast en controleer of de bevestigingsveer volledig vergrendeld is en op zijn plaats 'klikt'.
- De rode noodstopknop die zich op de bediening bevindt, staat in de UIT-positie.
- Druk op de knoppen OP en NEER op de handbediening en controleer of de tilarm correct functioneert.

5. Veiligheidsmaatregelen

Lees en volg a.u.b. de volgende veiligheidsmaatregelen op. Het gebruik van Oxford is gemakkelijk en eenvoudig. Door het opvolgen van deze eenvoudige veiligheidsmaatregelen kunt u gemakkelijk en probleemloos tillen.

LEES EN BEGRIJP DE GEBRUIKERSHANDLEIDING VOORDAT U UW “ADVANCE” TILLIFT GEBRUIKT

WAARSCHUWING: Belangrijke veiligheidsinformatie met betrekking tot gevaren die ernstig letsel kunnen veroorzaken.

OPGELET: Informatie om schade aan het product te voorkomen.

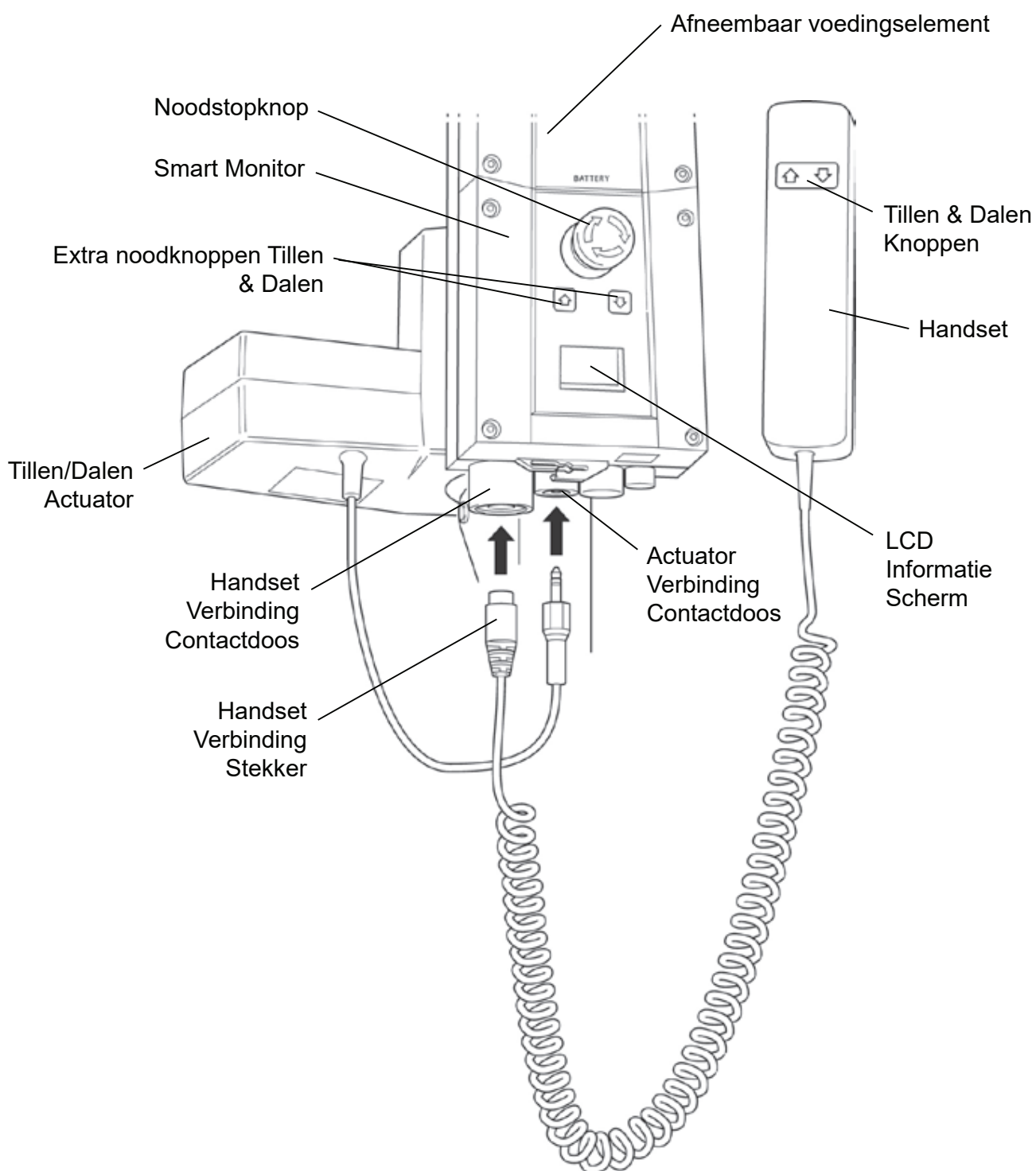
OPMERKING: Informatie die speciale aandacht behoeft.

WAARSCHUWING

- De Oxford patiëntenliften mogen uitsluitend worden bediend door volledig opgeleide/ competente verzorgers.
- Plan **ALTIJD** uw tilhandelingen voordat u begint.
- Loop **ALTIJD** de **DAGELIJKSE CONTROLELIJST** (Verderop in deze handleiding) na voor dat u de tillift gebruikt.
- Raak **ALTIJD** vertrouwd met de bedienings- en veiligheidselementen van een tillift voor dat u een cliënt tilt.
- Gebruik **ALLEEN** tilbanden waarvan het gebruik met de tillift wordt aangeraden.
- Controleer **ALTIJD** of de tilband geschikt is voor de cliënt en of deze de juiste maat en capaciteit heeft.
- Gebruik **NOOIT** een gerafelde of beschadigde tilband.
- Monteer de tilband **ALTIJD** volgens de geleverde instructies (gebruikershandleiding).
- Controleer **ALTIJD** of de maximale tilbelasting van de tillift geschikt is voor het gewicht van de cliënt.
- Volg voor het uitvoeren van tilhandelingen **ALTIJD** de instructies in de gebruikershandleiding op.
- Ontkoppel of negeer **NOOIT** bedienings- of veiligheidselementen om bediening van de tillift gemakkelijker te maken.
- Til een cliënt **NIET** met de wielrem ingeschakeld. Laat de tillift altijd zelf het juiste zwaartepunt bepalen.
- Probeer de tillift **NIET** te manoeuvreren door de mast, tilarm of cliënt te duwen.
- Manoeuvreer de tillift **ALTIJD** met behulp van de daarvoor bestemde beugel / voetpedaal.
- Laat de cliënt voordat de transfer begint **ALTIJD** zakken tot in de laagst mogelijke comfortabele positie.
- Duw een beladen tillift **NIET** sneller voort dan met een langzame wandelpas (3 km/u, 0,8 m/s).
- Duw de tillift **NIET** over een ongelijke of ruwe ondergrond, zeker niet wanneer er een patiënt in de tillift zit.
- Duw de tillift **NIET** over oneven of ruw terrein, met name wanneer de tillift beladen is.

- **Probeer een beladen tillift NIET over obstructies op de grond te duwen of trekken.**
- **Forceer NOOIT een bedienings- of veiligheidselement. Alle bedieningselementen zijn gemakkelijk te gebruiken en vereisen geen grote krachtsinspanning.**
- **Stal een beladen tillift NOOIT op een hellend vlak.**
- **Gebruik elektrische tilliften NIET onder de douche.**
- **Merk op: Het MINIMALE gewicht dat nodig is om de lift handmatig naar beneden te brengen via het mechanische noodmechanisme is 30 kg.**
- **Laadt een elektrische tillift NIET op in een badkamer.**
- **Til cliënten ALLEEN wanneer u hiervoor getraind bent en competent bent om dit te doen.**
- **UW tillift is bestemd voor het tillen van cliënten en mag NIET voor andere doeleinden gebruikt worden.**
- **Rol de tillift NIET van trap treden of opstapjes af, zowel beladen als onbeladen.**
- **Probeer een beladen tillift NIET te bedienen op een helling die steiler is dan 1:12 (ongeveer 5 graden).**
- **Probeer de tillift NIET zonder assistentie op een helling te navigeren.**
- **Gebruik de tillift NIET in een natte omgeving of plaatsen met bijtende stoffen zoals zwembaden.**

6. Smart Monitor & Handset



Bedoeld gebruik:

The Oxford Smart Monitor is een bedieningssysteem voor Oxford mobiele liften. De Smart Monitor slaat nuttige informatie op over de tillift die opgeroepen kan worden wanneer dit nodig is. Deze onderhoudsinformatie omvat:

- Aantal cycli
- Arbeidstijd van de actuator
- Aantal malen dat de tillift werd overbelast (poging tot optillen met een gewicht hoger dan de veilige belasting)
- Verstreken tijd sinds de laatste servicebeurt

De Oxford Smart Monitor bevat een microprocessor waarmee het mogelijk is onderhoudsgegevens via het LCD-scherm op de tillift af te lezen.

Kenmerken:

- Gegevensverzameling in de bedieningskast met weergave via het LCD-scherm
- Werkteller
- Intelligente cyclus-teller
- Onderhoudsindicator
- Service-intervalteller
- Informatie betreffende overbelasting
- 3-stapsindicator accu




Voordelen:

- Verbeterde veiligheid voor zowel client als verzorger
- Met één druk op de knop nauwkeurige onderhoudsgegevens beschikbaar
- Geoptimaliseerde levensduur van het product
- Gemakkelijk onderhoud voor mecaniciens en onderhoudsmonteurs

LCD-scherm:

De Oxford Smart Monitor biedt de optie om informatie via het LCD-scherm af te lezen. Het totale aantal tilcycli, de totale hoeveelheid werk, het aantal malen overbelasting en het aantal dagen dat is verstreken sinds de laatste onderhoudsbeurt kunnen worden afgelezen. Hierdoor kan de conditie van de liftactuator snel en gemakkelijk worden beoordeeld.

Door een halve seconde op de 'TIL'-knop op de gebruikershandset te drukken, krijgt men toegang tot deze informatie. Ook kan op de extra 'TIL'-knop op de Smart Monitor worden gedrukt.

	12034	Totaal aantal tilcycli
A*S	1257000	Totaal uitgevoerd werk (Amps * Secondes)
	7	Aantal malen overbelasting
	90/180	Aantal dagen (sinds de laatste servicebeurt) / Aantal dagen (tussen servicebeurten)

Onderhouds- en Gebruiksinformatie:



Het servicesymbool verschijnt op het scherm wanneer het tijd is voor een servicebeurt. Als de gebruikershandset is geactiveerd, geeft de Smart Monitor ook een geluidssignaal om de gebruiker opmerkzaam te maken op het feit dat er een servicebeurt nodig is.

Steeds als de toetsen tillen of dalen op de gebruikershandset worden ingedrukt, wordt het servicesymbool weergegeven. Neem direct contact op met uw erkende dienstverlener wanneer het servicesymbool wordt weergegeven.

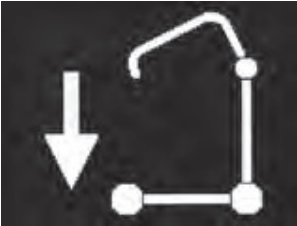


Als de tillift vanwege overbelasting stopt (een poging om meer dan de veilige belasting te tillen), verschijnt het symbool voor overbelasting op het LCD-scherm. De tillift houdt op te functioneren totdat het teveel aan gewicht (boven de veilige belasting) is verwijderd.

⚠ WAARSCHUWING

Indien het LCD-scherm op uw Smart Monitor een overbelasting heeft geregistreerd, adviseert Joerns Healthcare **ALLE** dagelijkse controles uit te voeren bij de tillift voordat deze opnieuw wordt gebruikt. Voor een overzicht van de dagelijkse controles wordt naar de gebruikershandleiding van de tillift verwezen. Joerns Healthcare adviseert eveneens contact op te nemen met uw erkende Oxford dienstverlener voor aanvullend advies.

Extra bedieningsknoppen op de lift:



Dankzij de extra bedieningsknoppen op de tillift kan deze in geval van nood tillen of dalen.



Als uw tillift is voorzien van elektrische positionering van het onderstel, zijn er eveneens extra bedieningsknoppen om het onderstel te openen en te sluiten.

Informatie betreffende accu's:



Wanneer een volle batterij op het scherm zichtbaar is, betekent dit dat de accu volledig geladen is en de tillift klaar is voor gebruik.



Wanneer er een halflege batterij op het scherm zichtbaar is, betekent dit dat het tijd is om de accu op te laden.



Wanneer er een lege batterij op het scherm zichtbaar is, betekent dit dat de accu geen vermogen meer heeft en direct op de oplader moet worden geplaatst.

⚠ WAARSCHUWING

Om mogelijke permanente schade aan de accu te voorkomen, dient de accu opgeladen te worden zodra het icoontje van een halflege batterij zichtbaar is.

7. Bedieningsinstructies

WAARSCHUWING

De Oxford patiëntenliften mogen uitsluitend worden bediend door volledig opgeleide/ competente verzorgers.

1. Afstellen van het onderstel

De breedte van het onderstel van de Oxford Advance kan afgesteld worden. Het onderstel kan gespreid worden om het mogelijk te maken om een fauteuil of rolstoel te bereiken. Bij een transfer en wanneer u door gangen of doorgangen moet laveren, moet het onderstel van de tillift goed in de gesloten positie worden vergrendeld.

Aan de achterkant van de basis zit het pedaal waarmee het onderstel kan worden aangepast. Om het onderstel aan te passen, moet het pedaal aan de rechterkant naar beneden worden gedrukt om het onderstel naar buiten te openen. Om het onderstel te sluiten, moet het pedaal aan de linkerkant naar beneden worden gedrukt. De aanpassing kan worden uitgevoerd terwijl de patiënt in de tillift zit.

WAARSCHUWING

Er mag nooit een patiënt worden opgetild of een transfer worden uitgevoerd wanneer het onderstel in de gesloten (transport)positie staat (voorste zwenkwielen raken elkaar aan). Deze gesloten/transportpositie is uitsluitend bedoeld voor opslag en transport.

2. Zwenkwielen en remmen

De tillift beschikt over twee zwenkwielen met een rem, die ingeschakeld kan worden om de lift te stallen. Tijdens het tillen moet de rem uitgeschakeld zijn en moeten de zwenkwielen ongehinderd kunnen bewegen zodat de tillift naar het zwaartepunt kan bewegen. GEBRUIK de remmen NIET. Als er wordt geremd, kan het gebeuren dat de patiënt naar het zwaartepunt toe beweegt en dit kan beangstigend en oncomfortabel zijn.

3. De tilarm: heffen en dalen

Het bewegen van de tilarm wordt gestuurd door een krachtige servomotor, die bestuurd wordt met een eenvoudig handbedieningselement. De handbediening heeft twee knoppen met pijlen voor TILLEN en DALEN. De servomotor stopt automatisch wanneer de hoogste of laagste stand wordt bereikt. De handbediening wordt onderaan het bedieningspaneel aangesloten. Wanneer de handbediening niet gebruikt wordt kan deze aan de mast of tilarm opgehangen worden met behulp van de haak aan de achterzijde.

4. Noodstop

De rode noodstopknop bevindt zich aan de achterzijde van het bedieningspaneel en wordt geactiveerd door hem in te duwen. Hierdoor wordt alle stroom van de tillift afgesloten. Dit kan teruggezet worden door de knop linksom te draaien en vrij te geven.

5. Ongebruikte bediening

Alle Oxford Presence liften zijn op de bedieningskast voorzien van til- en daalknoppen. Deze bevinden zich onder de noodstopknop en kunnen worden gebruikt om de cliënt te tillen of te laten dalen in het geval dat de handbediening niet functioneert.

6. Mechanische noodbediening

Voor het geval dat zich een volledige elektrische storing voordoet, is de elektrische actuator uitgerust met een mechanisch daalsysteem ('RED BOSS'). Dit werkt alleen wanneer de tillift beladen is. Trek het element omhoog om het te activeren; dit zet een langzame daling in werking.

Merk op: Het MINIMALE gewicht dat nodig is om de lift handmatig naar beneden te brengen via het mechanische noodmechanisme is 30 kg. Dit is een noodbediening en niet deze is niet bedoeld voor herhaaldelijk gebruik.

7. Accu's

Een LAGE ACCUSPANNING-ALARM behoedt de accu's voor een te lage lading. Dit alarm gaat af wanneer de accu's opgeladen moeten worden en de handbediening gebruikt wordt. Het gaat niet af wanneer de handbediening niet gebruikt wordt. NEGEER DIT ALARM NIET. Voltooi de tilhandeling en laadt de accu op (zie oplaadinstructies).

8. Tilbanden

De gekozen tilband wordt aan de haken van de spreiders bevestigd. Iedere tilband wordt met instructies geleverd. Lees de gebruiksaanwijzing van de lift en de tilband aandachtig door voordat u de lift gebruikt. Bestudeer voor gebruik de handleiding voor de tilband. Wanneer u de juiste tilband voor de patiënt heeft geselecteerd, bevestig deze dan aan de ophangpunten van het juk.

MERK OP: In de meegeleverde gebruikershandleiding worden gedetailleerde instructies gegeven hoe de sling aangebracht moet worden. Raadpleeg de gebruikershandleiding voor gebruik.

WAARSCHUWING

Joerns Healthcare adviseert de slings geregeld en voor gebruik te controleren op slijtage of beschadigingen. Gebruik slings die versleten of beschadigd zijn NIET.

WAARSCHUWING

OXFORD ADVISEERT ORIGINELE OXFORD ONDERDELEN TE GEBRUIKEN. De Oxford sling en liftproducten zijn zodanig ontworpen dat ze met elkaar gebruikt kunnen worden. Kijk voor specifieke, landgebonden richtlijnen over het gebruik en compatibiliteit van de sling op het label, of neem contact op met de importeur of Joerns Healthcare.

WAARSCHUWING

Zie het maximale tilvermogen van de lift. Het maximale vermogen van de lift bepaalt het maximale draagvermogen van de sling.

Oplaadinstructies

Wanneer het accupak opgeladen moet worden, wordt het van de tillift afgehaald en in een aparte oplader geplaatst.

Joerns Healthcare raadt aan om een aanvullend accupak aan te schaffen zodat één accupak altijd opgeladen kan worden.

1. Verwijder het accupak van de tillift. Het pak wordt vastgehouden door een eenvoudige grendel aan de bovenkant van het accupak. Til de grendel op om het accupak te verwijderen.
2. Plaats het accupak in de oplader. Het plaatsings- en bevestigingsmechanisme van de oplader is hetzelfde als dat van de tillift.
3. Steek het netsnoer van de oplader in een geschikt stopcontact en schakel de elektriciteit AAN.
4. Het opladen gebeurt automatisch en de accu's worden in acht tot twaalf uur volledig opgeladen. Let op: de accu's kunnen niet "overladen" worden, zelfs niet wanneer u de stekker van de oplader voor langere tijd in het contact laat.
 - a) Groen licht - Geeft aan dat de stroomtoevoer is ingeschakeld.
 - b) Geel licht - Geeft aan dat de accu wordt opgeladen.
 - c) Accu is volledig opgeladen als het gele licht uitgaat.

OPMERKING: Het wordt aanbevolen de accu direct na ontvangst op te laden.

5. Schakel de elektriciteit UIT en verwijder het accupak uit de oplader om de tillift weer in gebruik te nemen. Bevestig het accupack op de beugel op de mast en controleer of de bevestigingsveer volledig vergrendeld is en op zijn plaats 'klikt'. Het opladen van de Oxford elektrische tilliften is eenvoudig en ongecompliceerd, maar het is belangrijk dat u de oplaadinstructies nauwgezet opvolgt. Let a.u.b. met name op de volgende aanwijzingen, waarmee u kunt voorkomen dat er zich problemen voordoen met het ontladen van accu's.

WAARSCHUWING

- **Accu's mogen NOOIT door onbevoegd personeel worden geopend. (Neem contact op met uw distributeur voor garantie en reparaties).**
- **RAAK de polen van de accu/oplader NOOIT aan.**
- **HOUD de accu's steeds opgeladen. Plaats de accu telkens wanneer de tillift niet wordt gebruikt, op de oplader. Of laad de accu's iedere nacht op, als u dit gemakkelijker vindt. Het is niet mogelijk de accu's te 'overladen'**
- **Laat de accu's NOOIT volledig ontladen. Als het waarschuwingssignaal klinkt dat de accu's opgeladen moeten worden, maak dan de tilbeweging af waarmee u bezig bent, en plaats het voedingselement direct op de oplader.**

⚠ WAARSCHUWING

- Om mogelijke permanente schade aan de accu te voorkomen, dient de accu opgeladen te worden zodra het icoontje van een halflege batterij zichtbaar is.
- Als u het voedingselement voor langere tijd opbergt, zorg er dan voor dat u de accu's **REGELMATIG** oplaadt.
- Controleer **ALTIJD** of de stroomtoevoer naar de oplader is uitgeschakeld voordat u het voedingselement op de oplader plaatst of eraf haalt.
- Laat het voedingselement **NOOIT** in de oplader staan als de stroom niet is aangesloten.
- Laat de oplader **NIET** aan staan zonder dat er een accu in zit.
- **GEBRUIK** de lift **NIET** tijdens het opladen van de accu.
- Om schade aan de elektrische aansluiting te voorkomen, moet u steeds voordat u de lift verrijdt, **CONTROLLEREN** of hij niet is aangesloten op de oplader.
- **TREK NOOIT** de stekker van de oplader uit het contact door aan de kabel te trekken.
- **PAS OP** dat u niet over de laadkabel struikelt.
- Laad een elektrische tillift **NIET** op in een badkamer of doucheruimte.

8. Onderhoudsschema & Dagelijkse Controlelijst

Alle Oxford producten zijn ontworpen voor minimaal onderhoud. Toch zijn er sommige veiligheidscontroles- en procedures die moeten worden uitgevoerd. Hieronder volgt een schema van DAGELIJKSE taken. Dagelijkse controle en een zesmaandelijkse onderhoudsbeurt, inspectie en tests zorgen ervoor dat de tillift in optimale conditie blijft. U kunt een lijst met vervangingsonderdelen ontvangen op aanvraag.

De BELASTINGSTEST en certificatie moeten alleen uitgevoerd worden door bevoegd personeel of een geautoriseerde service agent / dealer.

DAGELIJKSE CONTROLELIJST: Joerns Healthcare raadt sterk aan de volgende dagelijkse controles uit te voeren voordat u de tillift gebruikt.

- ZORG ERVOOR dat de tillift vrij kan bewegen op de zwenkwielen.
- ZORG ERVOOR dat het juk vrij kan draaien en schommelen.
- CONTROLEER of het juk stevig aan de tilarm is bevestigd.
- ONDERZOEK de ophangpunten van het juk en de zij-ophangers op overmatige slijtage.
- ZORG ERVOOR dat het onderstel correct spreidt en sluit.
- GEBRUIK de handbediening om te controleren of de tilarm goed omhoog en omlaag beweegt.
- ZORG ERVOOR dat het display van de schakelkast GEEN steeksleutelsymbool heeft en dat er geen hoorbare pieptoon is wanneer de knoppen Omhoog / Omlaag worden ingedrukt.
- Test de werking van de noodstopknop van elektrische tilliften.
- ONDERZOEK tilbanden voor slijtage of andere schade. Gebruik een tilband NIET als deze beschadigd is.
- STEL VAST dat de tillift geen lage accuspanning-alarm laat afgaan wanneer de handbediening wordt gebruikt. Als het alarm afgaat, gebruik de tillift NIET maar laadt hem onmiddellijk op.
- ZORG ERVOOR dat de actuatorklemmen goed zijn vastgedraaid.
- CONTROLEER VISUEEL alle bevestigingen en bevestigingen en zorg ervoor dat ze goed vastzitten voor gebruik.

ONDERHOUD, INSPECTIES EN TESTS

Joerns Healthcare raadt aan om regelmatig een grondige inspectie en tests van de Oxford Presence tillift en accessoires (tilbanden, weegschaal enz.) uit te voeren. Inspectiefrequenties variëren per land. Controleer daarom bij uw dealer of lokale overheidsinstelling hoe vaak een inspectie vereist is. De inspectie en tests moeten worden uitgevoerd aan de hand van onderstaande aanbevelingen en procedures. Joerns Healthcare raadt aan om onderhoud, inspectie en gecertificeerde tests alleen te laten uitvoeren door geautoriseerde service agents of dealers.

LET OP: Met deze aanbevelingen wordt voldaan aan de vereisten van de Britse verordening No2307 Health and Safety: The Lifting Operations and Lifting Equipment Regulations 1998. Controleer a.u.b. de wettelijke vereisten in uw land.

Reiniging

Reinig met gewone zeep en water en/of desinfectiemiddel voor harde oppervlakken. Vermijd agressieve chemische schoonmaakmiddelen of schuurmiddelen. Deze kunnen de afwerking van de tillift beschadigen. Maak de elektrische onderdelen niet nat. Na het reinigen moet het apparaat grondig worden gedroogd.

Afvalverwerking

Accu: Alle accu's in het product en begeleidende accessoires moeten apart worden gerecycled. De afvalverwerking van accu's dient plaats te vinden volgens lokale of nationale regelgeving.

Tilbanden: Tilbanden en gerelateerde accessoires moeten volgens lokale of nationale regelgeving als brandbaar afval worden gesorteerd.

***DE VOLGENDE CONTROLES MOETEN WORDEN
UITGEVOERD:**

	Aanvankelijk	Voor gebruik	Onderhoud- sintervallen
1. JUK: controleer of het juk vrij kan draaien en schommelen. Controleer het centrale draaipunt op slijtage. Controleer de bevestiging aan de tilarm.	✓	✓	✓
2. TILARM: controleer de bevestiging van de tilarm aan de mast. Vergewis u ervan dat de tilarm slechts minimaal zijwaarts kan bewegen en dat de tilarm vrij kan roteren op de lagers.	✓	✓	✓
3. MAST: controleer de werking van het mastvergrendelelement. Controleer of de mast volledig in de opening zakt. Controleer de servomotor aan de onderkant van het toestel.	✓	✓	✓
4. ACTUATOR: De actuator vereist geen ander onderhoud dan controle op een juist functioneren en luisteren naar ongebruikelijke geluiden.			✓
5. SMART MONITOR: Controleer de werking van de noodstopknop. Controleer of het contact van de handbediening goed is geplaatst. Controleer of de handbediening correct functioneert. Controleer de extra bedieningsknoppen en stel vast of ze functioneren zoals bedoeld.	✓	✓	✓
6. ACCU'S: de accu's bevinden zich in het accupak en vereisen buiten het regelmatig opladen zoals beschreven in de oplaadinstructies geen ander onderhoud. Controleer of de aansluitingen schoon zijn.			✓
7. AFSTELLEN ONDERSTEL: controleer of het onderstel volledig spreidt en sluit	✓	✓	✓
8. ZWENKWIELEN: controleer of alle zwenkwielen goed aan het onderstel bevestigd zijn. Controleer of de zwenkwielen vrij zwenken en draaien.	✓	✓	✓
9. REINIGING: reinig met gewone zeep en water en/of desinfectiemiddel voor harde oppervlakken. Vermijd agressieve chemische schoonmaakmiddelen of schuurmiddelen. Deze kunnen de afwerking van de tillift beschadigen. Maak de elektrische onderdelen niet nat. Na het reinigen moet het apparaat grondig worden gedroogd.		✓	✓
10. BELASTINGTEST: De belastingtest moet worden uitgevoerd in overeenstemming met de testprocedures van de fabrikant en de richtlijn zoals beschreven in EN ISO 10535:2006 - Bijlage B - Periodieke inspectie B1 - waarvan hieronder een uittreksel wordt gegeven. Het wordt sterk aanbevolen de test door een erkende servicedealer te laten uitvoeren.			✓
11. VOETSTUK EN ONDERSTEL: zorg ervoor dat het onderstel gelijk en vlak is (alle vier de wielen op de grond).	✓	✓	✓
12. TILBANDEN: controleer op slijtage en rafelen.	✓	✓	✓
13. SMERING: smeer de draaigewrichten waaronder mast- en tilarmverbindingen, pedaal-elementen, jukgewricht (alleen indien nodig).			✓
14. BEVESTIGINGSMATERIALEN: Controleer alle bouten, moeren, schroeven en bevestigingsmaterialen op overmatige slijtage en of ze goed zijn aangedraaid. Vervang indien nodig.			✓

EN ISO 10535:2006

Bijlage B

(Informatief)

Periodieke inspectie

B. 1 De periodieke inspectie van de lift moet worden uitgevoerd volgens de door de fabrikant aangegeven tijdsintervallen, maar minstens één maal per jaar. Met periodieke inspectie wordt bedoeld een visuele keuring van met name de dragende structuur van de lift en het liftmechanisme met bevestigingen, remmen, bediening, veiligheidsvoorzieningen en de voorzieningen waarmee een persoon wordt ondersteund. Daarnaast dienen de vereiste functietesten en onderhoudsmaatregelen te worden uitgevoerd, zoals verstellen van de remmen, vastmaken van bevestigingsmaterialen.

Bij iedere inspectie dient de werklust door middel van één (1) liftcyclus met maximale belasting te worden getest.

9. Technische Specificaties

Specificatie

Maximale tilbelasting.....	341 lbs.....	155Kgs
Maximale totale lengte	51 inches.....	1300mm
Minimale totale lengte	49 inches.....	1250mm
Maximale totale hoogte.....	73 inches.....	1860mm
Minimale totale hoogte	53.5 inches.....	1360mm

Afmetingen opgevouwen apparaat

Hoogte.....	17.1 inches.....	450mm
Diepte.....	46.4 inches.....	1180mm
Breedte.....	21.6 inches.....	550mm

Max. hoogte juk	66.5 inches.....	1690mm
Min. (functionele) hoogte juk.....	15.3 inches.....	390mm
Hoogte bij maximaal bereik	46 inches.....	1170mm
Bereik bij maximumhoogte	25.6 inches.....	650mm
Bereik bij minimumhoogte.....	13.7 inches	350mm
Maximaal bereik*	32.8 inches.....	835mm
Draairadius.....	55.9 inches	1420mm
Onderstel gespreid - externe breedte.....	42.5 inches	1080mm
Onderstel gespreid - interne breedte.....	39.3 inches	1000mm
Onderstel gesloten - externe breedte.....	26.3 inches	670mm
Onderstel gesloten - interne breedte.....	22.4 inches	570mm
Totaalhoogte poten	4.5 inches	115mm
Bodemspeling.....	1.1 inches	30mm
Voorste zwenkwielen	3.0 inches	75mm
Achterste zwenkwielen met rem.....	3.9 inches	100mm

*Bereik = middelpunt van het juk tot de voorkant van de mast

Gewicht

Mast, Onderstel, Tilarm.....	63.1 lbs.	28.9kgs
Accupak	6.6 lbs.	3.0kgs
Totaal	70.3 lbs.	31.9kgs
Onderstel (zonder accu).....	32.8 lbs.	14.9kgs
Mast & tilarm (zonder accu).....	30.9 lbs.	14.0kgs

Alle metingen vallen binnen een +5/-5 afwijkingsgraad.

ELEKTRISCHE SPECIFICATIES:

ACCU'S	24 Volt gesloten lood/zuur type, oplaadbaar
ACCUCAPACITEIT	3.2 Ampère-uur
NOMINAAL OPGENOMEN VERMOGEN OPLADER	100 - 240 V AC 50/60 Hz Max 400mA
NOMINAAL AFGEGEVEN VERMOGEN OPLADER.....	27.4/29.0 VDC @ 0.8A

BESCHERMINGSMAATREGELEN TEGEN ELEKTROSTATISCHE ONTLADING

OPLADER	KLASSE II (EN 60601-1)
TILLIFT	INTERNE STROOMBRON

DEGREE OF SHOCK PROTECTION

OPLADER	TYPE B (EN 60601-1)
TILLIFT	TYPE B (EN 60601-1)

OMGEVINGSVOORWAARDEN:

Wanneer de omgevingsvoorwaarden worden overschreden, komen functionaliteit en veiligheid in gevaar.

OPERATIONELE VOORWAARDEN:

TEMPERATUUR.....	5°C tot 40°C
RELATIEVE VOCHTIGHEID	20% tot 90% bij 30°C niet-condenserend
ATMOSFERISCHE DRUK	700 tot 1060 hPa

OPBERGVOORWAARDEN:

TEMPERATUUR.....	-10°C tot +50°C
RELATIEVE VOCHTIGHEID	20% tot 90% bij 30°C niet-condenserend
ATMOSFERISCHE DRUK	700 hPa tot 1060 hPa

IP-CLASSIFICATIES

BEDIENINGSKAST	IPX4
ACTUATOR.....	IPX4
AFZONDERLIJKE OPLADER	IPX5
ACCU.....	IPX5
HANDSET	IPX5

BEDRIJFSCYCLI

ACTUATOR.....	10% (2 min./18 min.)
ACCU	Approx. 4 hrs.

AKOESTIEKA

Gewogen geluidsvermogensniveau	60 dB (A)
--------------------------------------	-----------

Belangrijkste symbolen:

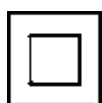
De volgende symbolen worden op de oplader, bediening en accu gebruikt:



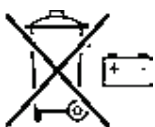
Dit product is een medisch hulpmiddel in overeenstemming met de EU-verordening Medische hulpmiddelen 2017/745.



Type B-apparatuur, volgens EN 60601-1



Klasse 2 apparatuur



Het weggooien van batterijen mag niet met het gewone huishoudelijke afval worden gemengd. De afvalverwerking van accu's dient plaats te vinden volgens lokale of nationale regelgeving.



Het weggooien van elektronica mag niet worden gemengd met algemeen huishoudelijk afval.



Voor gebruik binnenshuis



LET OP, raadpleeg meegeleverde documenten.



Raadpleeg de gebruikersinstructies voor gebruik.

WEEE Registratienummer fabrikant WEE/GG0464RZ

10. Garantie

Joerns Healthcare beschikt over een gevestigd netwerk van erkende distributeurs en onderhoudsmonteurs. Zij helpen u graag met al uw vragen betreffende uw aankoop, garantie, reparaties en onderhoud. Wij adviseren onze producten bedrijfsklaar te laten maken door uw erkende distributeur of onderhoudsmonteur.

De distributeur of onderhoudsmonteur voert het garantieschema uit; daarom is het belangrijk de naam, het adres en het telefoonnummer van deze personen te noteren, zodat u contact met hen kunt opnemen wanneer zich problemen voordoen. Als u niet zeker weet waar uw lift werd aangekocht, kan Joerns Healthcare aan de hand van het serienummer nagaan door welke leverancier het product werd geleverd.

Alle garantieclaims zijn onder voorbehoud van het juiste gebruik en onderhoud in overeenstemming met de gebruikershandleiding die met iedere product wordt meegeleverd. Schade die is veroorzaakt door gebruik in een ongeschikte omgeving of het nalaten van het onderhoud in overeenstemming met de onderhouds- en gebruikersinstructies, wordt niet gedekt. Uw grondwettelijke rechten worden niet aangetast!

ONTHOUD: Neem contact op met uw erkende distributeur of onderhoudsmonteur voor aankopen, reparaties, onderhoud en gecertificeerd onderhoud.

Uw distributeur:



Joerns Healthcare Limited

Drakes Broughton Business Park, Worcester Road, Drakes Broughton
Persore, Worcestershire, WR10 2AG United Kingdom

(T) 0844 811 1156 • (F) 0844 811 1157

www.joerns.co.uk • email: info@joerns.co.uk