

User Instruction Manual

Oxford® Stature

To avoid injury, read user manual prior to use. For alternative languages, contact your authorised service provider.

Manuel de l'utilisateur

Oxford® Stature

Afin d'éviter tout accident, veuillez lire attentivement la notice avant utilisation. Pour obtenir ces informations dans une autre langue, veuillez contacter votre prestataire de service agréé.

Benutzerhandbuch

Oxford® Stature

Um Verletzungen zu vermeiden, lesen Sie bitte die Gebrauchsanweisung vor der ersten Benutzung. Für andere Sprachen wenden Sie sich an Ihren autorisierten Dienstanbieter.

Manual de Instrucciones

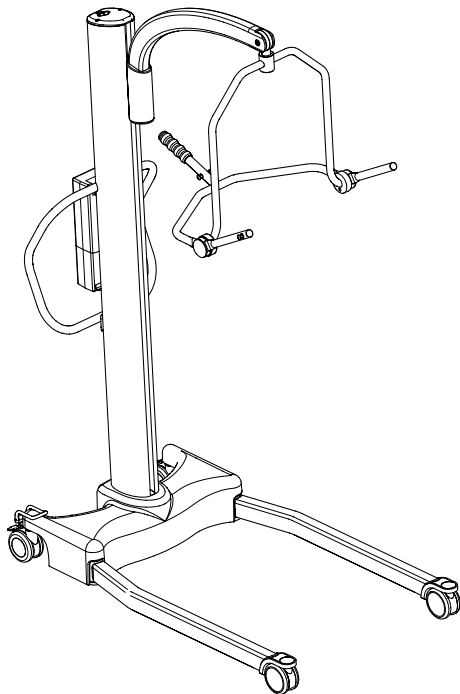
Oxford® Stature

Para evitar posibles daños, lea previamente el manual de usuario. Para otros idiomas, póngase en contacto con su proveedor de servicios autorizado.

Gebruikershandleiding

Oxford® Stature

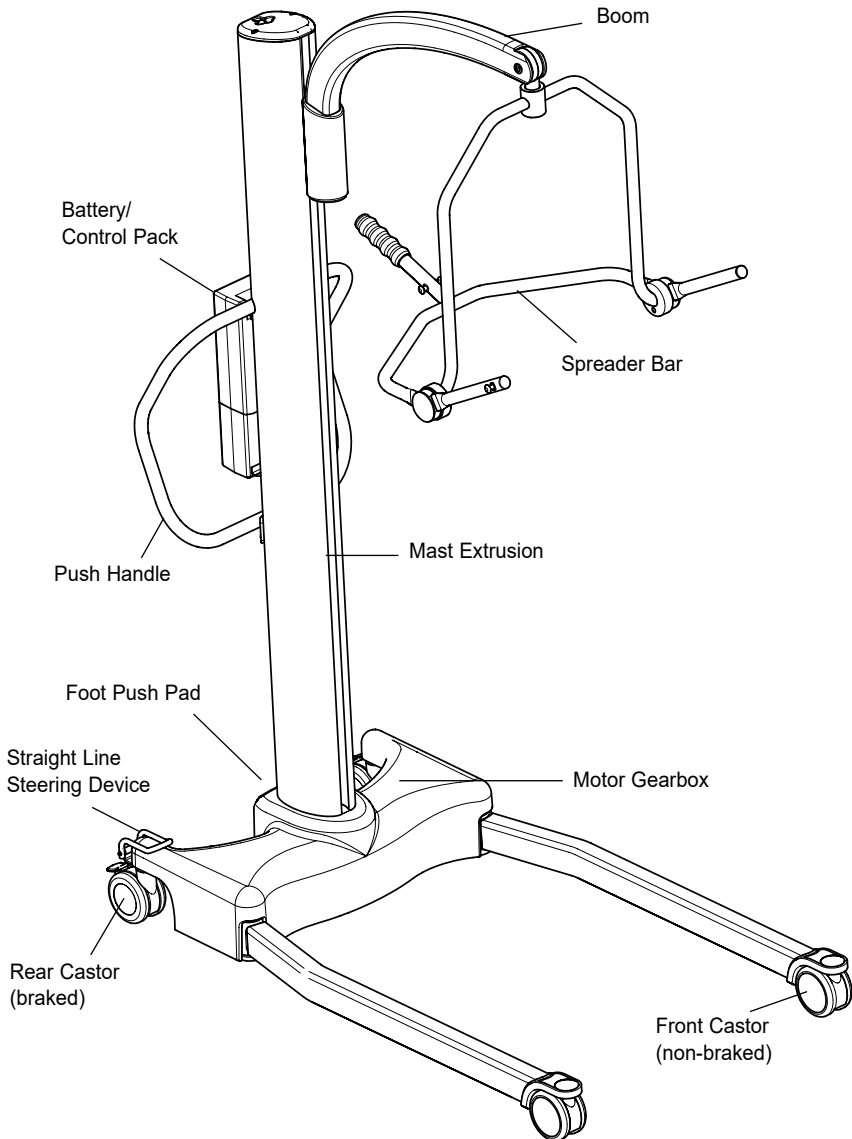
Lees voor gebruik de handleiding om letsel te voorkomen. Neem voor andere talen contact op met uw erkende dienstverlener.



Contents

1. Oxford Stature Patient Lift.....	3
2. Introduction: About Your Lift.....	4
3. Assembly and Commissioning Instructions.....	5
4. Safety Precautions	9
5. Standard Control Box & Handset.....	11
6. Operating Instructions	12
7. Removal of Spreader Bar/Cradle Systems	16
8. Charging Instructions.....	18
9. Maintenance Schedule & Daily Check List	20
10. Technical Specifications	23
11. Warranty	26

1. Oxford Stature Patient Lift



**READ AND UNDERSTAND THE INSTRUCTIONS IN THIS MANUAL
BEFORE USING YOUR STATURE**

2. Introduction: About Your Lift

Each Stature lift is fully assembled load tested and certified before being packed/shipped.

The packing consists of a strong, purpose built carton that is used for both export and domestic markets to ensure the safe arrival of the lift. A number of documents are supplied in a wallet which is packed with each lift and should be kept safely for future reference.

- USER MANUAL
- TEST CERTIFICATE
- PACKING CHECK LIST

The TEST CERTIFICATE is an important document and may be required for your insurance records. It is valid for six months and after it has expired the lift should be inspected and serviced per the maintenance schedule by a competent authorised engineer.

WARNING

Prior to each daily use of your lift the checks detailed in the daily checklist within this manual should be carried out.

The CE mark: The Oxford Stature carries the CE mark and complies with the following EC directives:



- Medical Device Directive (93/42/EEC)
- EMC Directive (89/336/EEC)
- Low Voltage Directive (73/23/EEC)

Statement of Intended Use

The intended use of this lifting device is for the safe lifting and transfer of an individual from one resting surface to another (such as a bed to a wheelchair). Joerns Healthcare recommends that the transfer of a patient is fully risk assessed and conducted safely over a short distance only.

The Oxford Stature is suitable for patients in the SITTING, SITTING/RECUMBENT and RECUMBENT positions.

The Oxford Stature is an electrically operated patient lift, designed to support and promote safe patient handling and transfer for both the patient and carer.

The examples of slings suitable for use with this device are listed as follows:

- Oxford Quickfit
- Oxford Access
- Oxford Quickfit Deluxe
- Oxford Long Seat
- Oxford Full Back
- Oxford Comfort
- Oxford Silkfit

WARNING

Oxford Patient Lifts should only be operated by fully trained/competent care givers.

Expected Service Life

Oxford Professional lifts are designed and tested for a minimum service life of ten (10) years, subject to the use and maintenance procedures stated in this manual. Use, other than in accordance with these instructions, may compromise service life.

Serious Incident Reporting

In the event of a serious incident taking place during use of this product, affecting the patient and/or care-giver, it must be reported to the product manufacturer or authorised distributor. Should the incident take place within the European Union (EU), it must also be reported to the local competent authority within the member state.

3. Assembly and Commissioning Instructions

Carton Contents

Place the carton in a clear working area and open carefully. The carton contains:

- OXFORD STATURE LIFT
- WALLET CONTAINING DOCUMENTS
- HAND CONTROL
- BATTERY PACK
- DESK TOP CHARGER/STAND/LEAD
- FASTENER KIT (INCLUDES SCREWS, ALLEN KEY, HEX SOCKET, CAPPING PLATE)

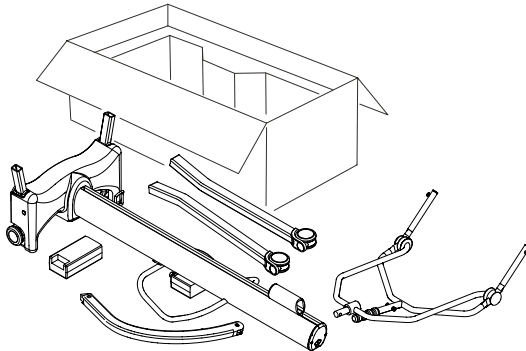
▲ WARNING

The Oxford Stature is heavy and will need to be lifted with care. You may need assistance to lift the Oxford Stature from the carton.

Assembly Instructions

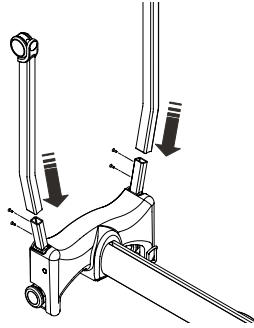
Remove all the parts from the carton and place on the floor, taking care to protect the finish from damage.

1. Place the chassis and mast (which are connected) in a clear space. The mast and chassis should be rested on the push handle, which will ensure the product remains stable while connecting the legs and boom to the product.



2. Fit the legs to the chassis using two 6mm countersunk screws per leg as provided.

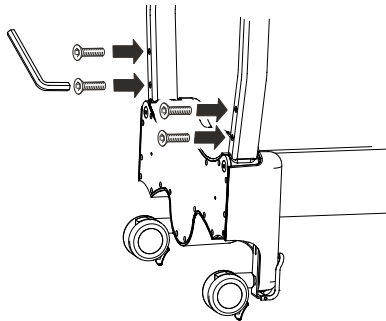
NOTE: There is a left and a right leg and they are configured as shown below



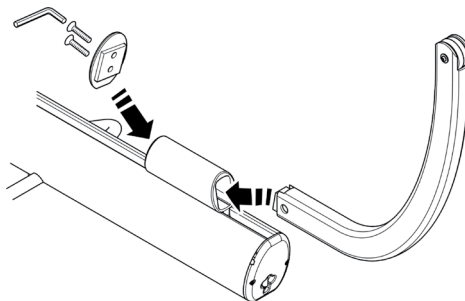
3. Using Allen Key provided, tighten the 6mm screws located on each side of the chassis.

⚠ WARNING

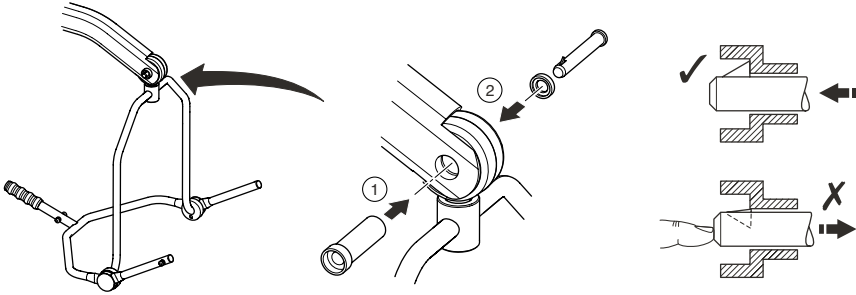
The screws should be secured firmly.



4. Insert the curved boom section into the boom carriage. Secure the assembly by inserting the two 6mm countersunk screws into the blue capping plate provided in the fastener kit, as shown below and tighten firmly.



5. Attach four point positioning cradle to the lift boom by inserting the split pin. Ensure pin is secure.

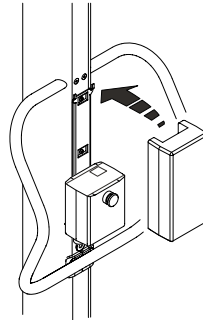
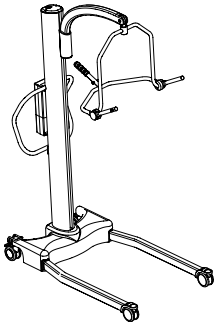


6. Stand the Stature upright and apply the brakes.

⚠ WARNING

Be careful when lifting the Stature to the upright position, as it is heavy.

Fit hand control plug into the bottom of the control box located on the mast, ensure correct alignment to the plug socket. Fit power pack to the lift and make sure the latch holding the pack in place is fully engaged "Click" into place.

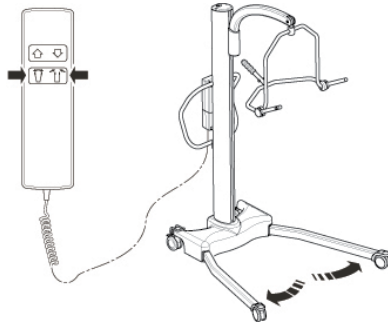


Disassembly

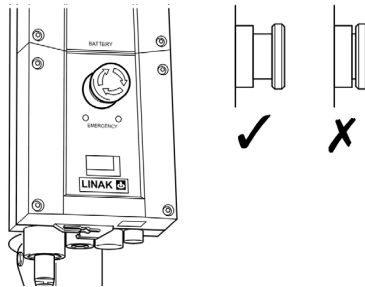
The lift should not be disassembled unless for service, repair or transport if necessary. If disassembly is necessary, follow the assembly instructions in reverse sequence.

ALWAYS CHECK THE FOLLOWING BEFORE OPERATION

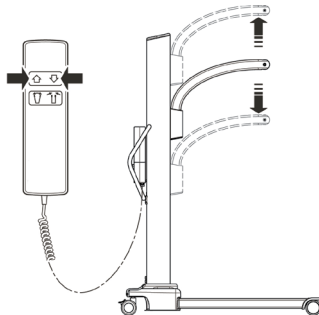
- Push the open and close buttons on the hand control to confirm that the legs of the lift open and close satisfactorily.



- The red emergency stop button, located on the rear of the control box, is in the OFF (out) position.



- Push the up and down buttons on the hand control to confirm that the boom rises and lowers satisfactorily.



4. Safety Precautions

Please read and follow the safety precautions listed below. The operation and use of Oxford patient lifts is simple and straightforward. Following these few basic safety precautions will make lifting operations easy and trouble free.

READ AND UNDERSTAND THE USER INSTRUCTION MANUAL BEFORE USING YOUR “STATURE” LIFT

WARNING: Important safety information for hazards that might cause serious injury.

CAUTION: Information for preventing damage to the product.

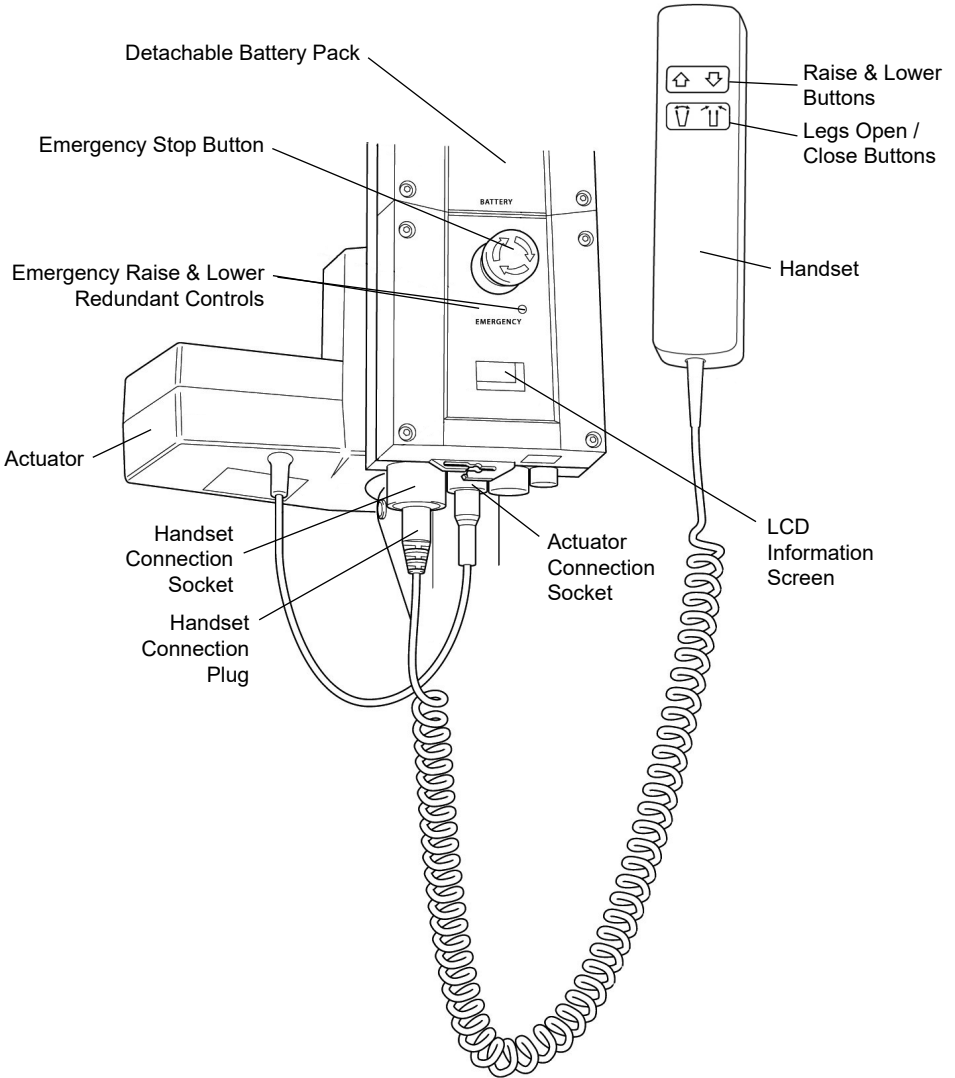
NOTE: Information to which you should pay special attention.

WARNING

- Oxford Patient Lifts should only be operated by fully trained/competent care givers.
- ALWAYS check the safe working load of the lift is suitable for the weight of the patient.
- DO NOT exceed the safe working load of the hoist, as an electrical current limiting device will activate, preventing use of the hoist.
- ALWAYS plan your lifting operations before commencing.
- ALWAYS carry out the DAILY CHECK LIST before using the lift.
- ALWAYS familiarise yourself with the operating control and safety features of a lift before lifting a patient.
- DO NOT use a sling unless it is recommended for use with the lift.
- ALWAYS check the sling is suitable for the particular patient and is of the correct size and capacity.
- NEVER use a sling which is frayed or damaged.
- ALWAYS fit the sling according to the instructions provided (user instructions).
- ALWAYS ensure sling straps DO NOT get caught around the legs of the hoist.
- ALWAYS carry out lifting operations according to the instructions in the user manual.
- NEVER disconnect or bypass a control or safety feature because it seems easier to operate the lift.
- DO NOT lift a patient with the castor brakes on. Always let the lift find the correct centre of gravity.
- DO NOT attempt to manoeuvre the lift by pushing on the mast, boom or patient.

- **ALWAYS** manoeuvre the lift with the push handle, located on the mast. A foot push pad is also provided on the base of the hoist.
- **ALWAYS** lower the patient to the lowest comfortable position before transfers.
- **DO NOT** push a loaded lift at speeds which exceed a slow walking pace (3 Km/hour 0.8 metres/second).
- **DO NOT** push the lift over uneven or rough ground. Particularly if loaded.
- **DO NOT** attempt to push/pull a loaded lift over a floor obstruction.
- **NEVER** force an operating/safety control. All controls are easy to use and do not require excessive force.
- **DO NOT** park a loaded lift on ANY sloping surface.
- **DO NOT** use electric lifts in a shower.
- **DO NOT** charge an electric lift in a bathroom or shower room.
- **DO NOT** lift a patient unless you are trained and competent to do so.
- **YOUR** lift is for patient lifting. **DO NOT** use it, or allow it to be used, for any other purpose.
- **DO NOT** bump the lift down steps, loaded or unloaded.
- **DO NOT** attempt to negotiate a loaded lift on a slope which exceeds 1:12 (approximately 5 degrees).
- **DO NOT** attempt to negotiate a slope without a second helper being present.
- **DO NOT** use in a wet or corrosive environment such as poolside locations.
- **DO NOT** use on extra thick pile carpet when the lift is fully loaded.
- **NEVER** operate lift with loose/worn or missing parts/fasteners.

5. Standard Control Box & Handset



6. Operating Instructions

WARNING

Oxford Patient Lifts should only be operated by fully trained/competent care givers.

1. Leg adjustment

The legs on the Oxford Stature are electrically adjustable for width. The legs can be opened to enable access around armchairs or wheelchairs. For transferring and negotiating narrow doorways and passages the lift legs should be in the closed position.

Electric leg adjustment is achieved by pressing the appropriate buttons on the hand control. The legs will be locked whenever the hand control switch is released.

2. Castors and Braking

The lift has two braked castors which can be applied for parking. When lifting, the castors should be left free and un-braked. The lift will then be able to move to the centre of gravity. If the brakes are applied it is the patient that will swing to the centre of gravity and this may prove disconcerting and uncomfortable. Attached to the rear castor is a straight line steering device, which when applied to the castor will facilitate straight line movement.

3. Raising and lowering the boom

The movement of the boom carriage is achieved by a powerful motor gearbox, which is controlled by a simple hand control unit. The hand control has two buttons with directional arrows UP and DOWN ↑↓. The motor gearbox stops automatically at the limit of travel in both directions. The hand control plugs into a socket at the base of the control box.

SAFETY NOTE: The downward movement of the boom will stop if the lift senses that the patient has encountered an obstruction.

4. Emergency Stop

The red Emergency Stop Button is located on the front of the control box and is activated by pressing in. This will cut all power to the lift and only be reset by twisting the button anticlockwise and releasing.

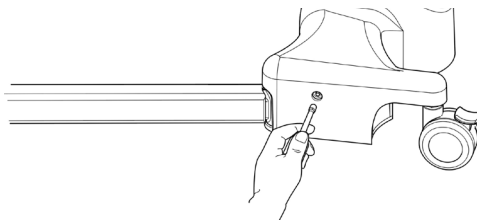
5. Electrical Emergency Down/Up

Emergency lower (down) and raise (up) buttons are provided at the front of the control box. This is operated by inserting a ballpoint pen into the button highlighted ↑↓. This will bring the boom up or down should the hand control fail at any time.

6. Mechanical Emergency Down

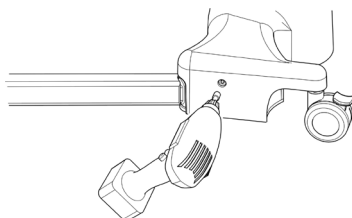
In the case of a complete electrical failure the Stature lift is fitted with mechanical lowering device. This device is located on the left hand side of the lift's chassis.

The lowering mechanism is operated by inserting a 6mm Hex socket into the aperture and onto the mechanism turning clockwise to raise the lift and anticlockwise to lower the lift. This can be done manually with a socket wrench.



RECOMMENDATION:

In order to raise or lower the boom more quickly it is recommended that a 6mm Hex socket be used in conjunction with a 1/4 inch drive adaptor and an electric reversible drill (NOTE: do not use hammer setting). This will increase the speed in which the patient can be safely raised and lowered. A 6mm Hex socket is contained in the top cap located on the top of the mast.



NOTE: Before raising or lowering the patient, ensure you have planned your destination carefully. For instance back onto a chair or bed.

7. Batteries

The batteries are protected from deep discharge by a LOW VOLTAGE ALARM. This will sound when the batteries need recharging and the hand control is being operated. It will not sound independently of the hand control being operated. **DO NOT IGNORE THIS WARNING ALARM.** Complete the lifting operation and place the battery on charge (see charging instructions).

8. Slings

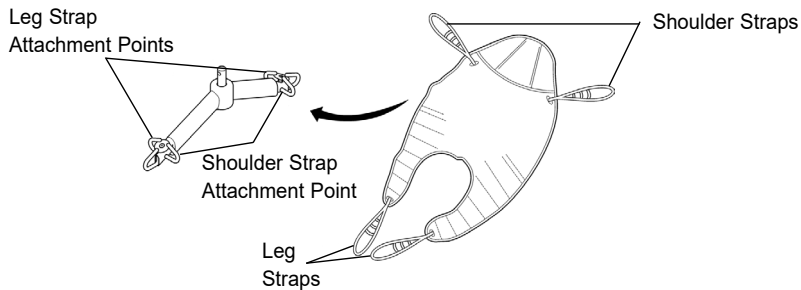
The Oxford Stature has the option of both a 6 point spreader bar and a 4 point positioning cradle. Both systems use different attachment methods and slings.

The 6 point system uses slings with webbing loops, which allow positioning adjustment by selecting different coloured loops. The 4 point cradle uses the Securic3 safety clip system and adjustment is made by rotating the 4 point cradle either upward or down.

Loop strap slings: Oxford Quickfit, Full Back, Quickfit Deluxe, Long Seat, Access and Silkfit.

Safety clip slings: Oxford Comfort

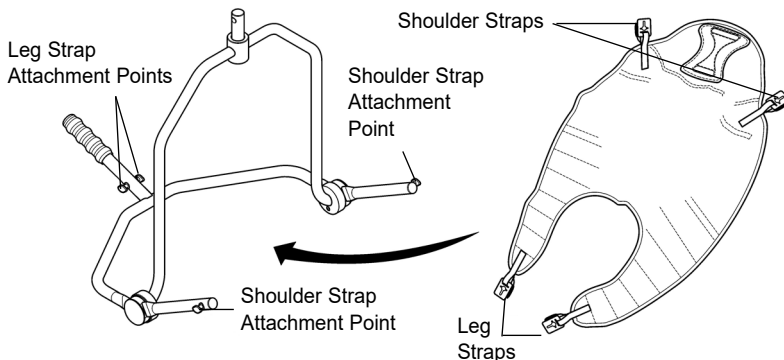
The 6 point system attaches to the spreader bar hooks via loop straps (shown below), each sling is supplied with instructions. Please study the instruction guide before use.



6 Point spreader bar

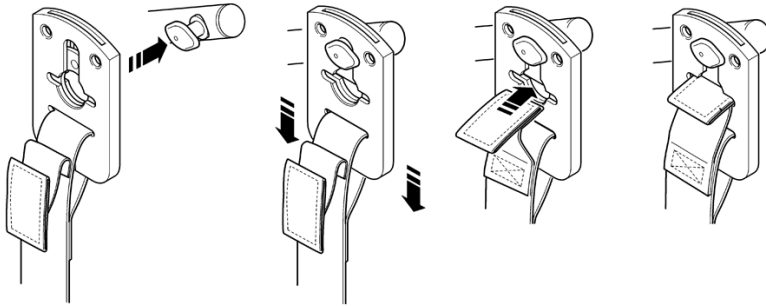
Example of 6 point spreader bar sling with loop attachments.

The four point cradle sling attaches to the cradle studs via a safety clip system (shown below), each sling is supplied with instructions. Please study the instruction guide before use.



4 point positioning cradle

Example of 4 point cradle sling with safety clip system.



Securi3 sling attachment system

Example of installation.

NOTE: For detailed fitting instructions, please refer to the user guide supplied with each sling.

⚠ WARNING

Joerns Healthcare recommends that slings be checked regularly and particularly before use for signs of fraying or damage. **DO NOT** use slings that are worn or damaged.

⚠ WARNING

OXFORD RECOMMENDS THE USE OF GENUINE OXFORD PARTS. Oxford sling and lift products are designed to be compatible with one another. For country specific guidance on sling use and compatibility, please refer to the sling label or contact your local market distributor or Joerns Healthcare.

⚠ WARNING

Refer to maximum weight capacity of lift. Sling capacity is limited by the maximum capacity of the lift.

7. Removal of Spreader Bar/Cradle Systems

FOLLOW THESE INSTRUCTIONS EXACTLY

Your Stature lift has the option of using both a 6 point spreader bar and 4 point positioning cradle. The removal of either of these systems is completed easily by the use of a quick-release pin. This is done quickly and easily, but you must read the following safety instructions to ensure the spreader bar/cradle is safely locked into position before use.

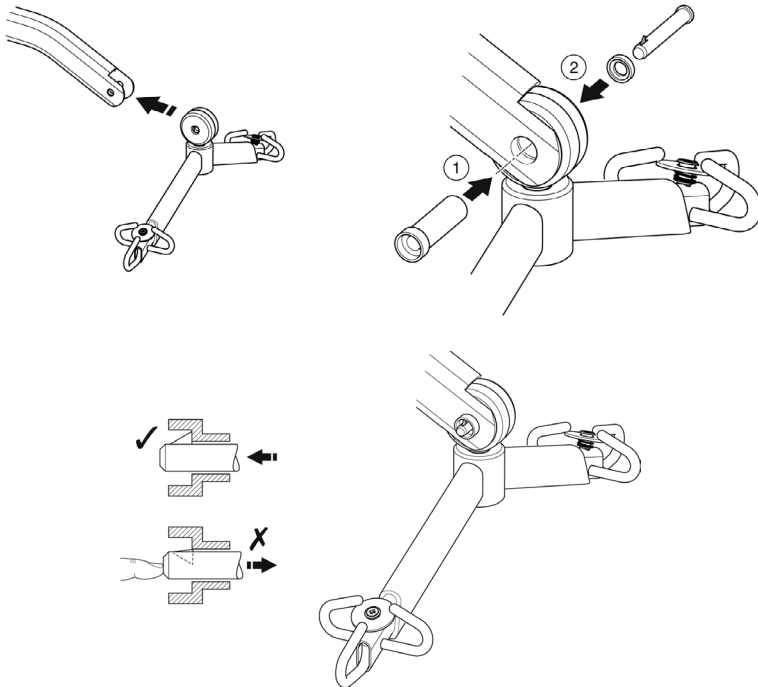
Connection

To connect, raise the spreader bar/cradle up toward the boom slot.

Insert the pin sleeve through the plastic end cap and to support the spreader bar/cradle.

Once aligned in the boom slot reinsert the quick release pin fully into the sleeve until it locks into position. **YOU MUST CHECK THAT THE PIN IS SECURELY FITTED.**

To do this, press your finger into the barbed end. If the pin remains stationary the lift is safe to use.

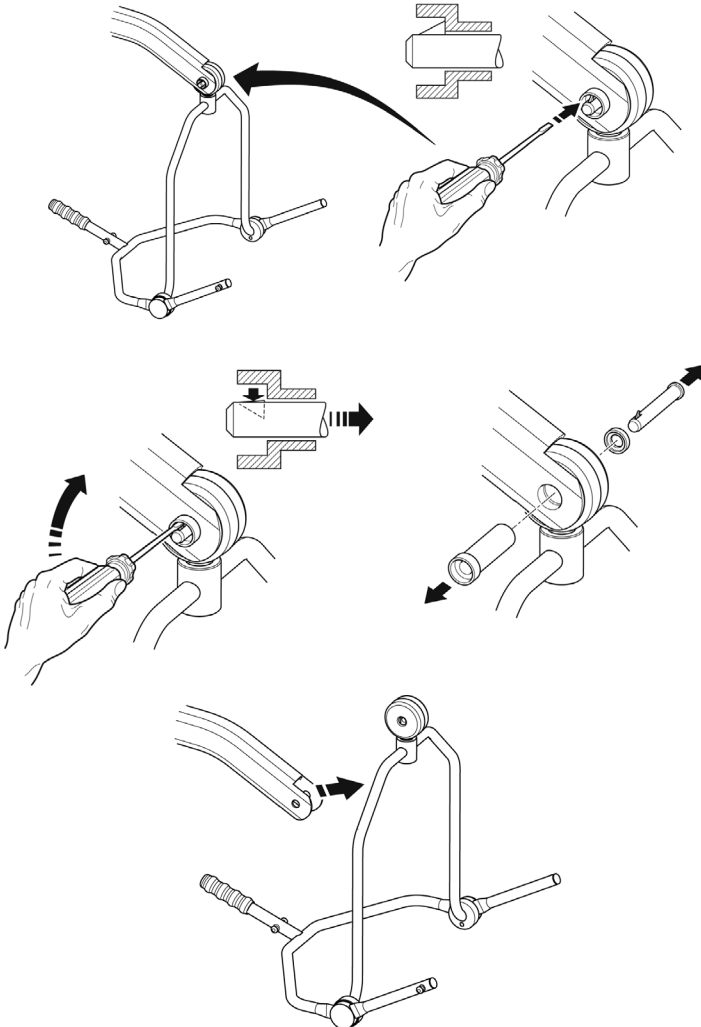


Removal

CAUTION: Be sure to support the weight of the spreader bar/cradle before removing pin.

To detach pin, depress the spring barb (using a flat blade electrical screw driver or similar) and pull the pin out.

Support the spreader bar/cradle, and then pull the pin sleeve in the opposite direction, removing it completely from the boom. This will release the spreader bar completely.



8. Charging Instructions

When the power pack needs charging it is removed from the lift and fitted to an off board charging unit.

Joerns Healthcare recommend an additional battery pack is purchased, so that one pack can be on charge at all times.

1. Remove the power pack from the lift. The pack is retained by a simple latch at the top of the power pack. Lift the latch and the power pack will be released.
2. Fit the power pack to the charging unit. The location and latching of the power pack to the charger is the same system as used on the lift.
3. Plug the charger mains plug into a suitable mains outlet and switch the mains supply ON.
4. Charging is automatic and will fully charge the batteries over a period of four (4) hours.

Note: Even if the charger is left plugged in for extended periods it will not allow the batteries to overcharge.

- a) Green Light - Indicates main power is on.
- b) Yellow Light - Indicates battery is charging.
- c) Battery will be fully charged when yellow light goes off.

Note: It is recommended that the battery be charged immediately upon receipt.

5. To return the lift to service, switch OFF the mains supply and remove the power pack from the charger. Fit the power pack to the lift and make sure the latch holding the pack in place is fully engaged. "Click" in place. The charging of Oxford electric lifts is simple and straightforward, but it is important to follow the charging instructions closely. Please pay particular attention to the following points, they will help you avoid problems with discharged batteries.

WARNING

- **The battery, charger, hand control and control box are NOT to be opened by unauthorised personnel. (Contact your distributor for warranty and repairs).**
- **DO NOT touch battery/charger terminals.**
- **KEEP the batteries fully charged. Place the battery on charge whenever it is not in use. If it is more convenient to do so, place on charge every night. The charger will not allow the batteries to overcharge.**
- **NEVER run the batteries completely flat. As soon as the audible warning sounds, complete the lifting operation in hand and place on charge.**
- **To avoid possible permanent damage to the battery, the battery should be placed on charge as soon as the display indicates the half empty battery symbol.**
- **NEVER store the battery for long periods without regular charging throughout the storage period.**
- **ALWAYS make sure the mains power to the charger is switched off before connecting or disconnecting the battery pack.**
- **NEVER leave the battery pack connected with the charger mains power switched off.**
- **DO NOT leave the charger switched on with the battery disconnected.**

- **DO NOT** use the lift while charging is taking place.
- **CHECK** the lift is not charging before moving as the electrical connection may be damaged.
- **NEVER** disconnect the charger plug by pulling on the cable.
- **BE CAREFUL** not to trip over the charge lead.
- **DO NOT** charge an electric lift in a bathroom or shower room.

9. Maintenance Schedule & Daily Check List

All Oxford products are designed for minimum maintenance, however some safety checks and procedures are required. A schedule of DAILY tasks is detailed below. Daily checks and a six monthly service, inspection and test will ensure a lift is kept in optimum safe working condition. A list of spare parts is available upon request.

The **LOAD TEST** and certification should only be carried out by qualified personnel or an authorised service agent / dealer.

DAILY CHECK LIST: Joerns Healthcare strongly recommends the following checks be carried out on a daily basis and before using lift.

- ENSURE the lift moves freely on its castors.
- MAKE SURE the 6-point spreader bar is free to rotate and swing
- EXAMINE & CHECK that the 6-point spreader bar is firmly attached to the boom.
- EXAMINE the sling hooks/clips on the 6-point spreader bar for damage and/or excessive wear.
- ENSURE the legs open and close correctly and lock in all open and closed positions.
- OPERATE the hand control to confirm the boom raises and lowers satisfactorily.
- ENSURE the control box display panel DOES NOT have a spanner symbol illuminated and no audible beep can be heard when depressing raise/lower buttons.
- CHECK the operation of the emergency stop button.
- EXAMINE slings for fraying or other damage. DO NOT use any sling if damaged or if the sling shows signs of wear.
- CONFIRM the lift is not sounding a low battery alarm when the hand control is operated. If the alarm sounds, DO NOT use, and place on charge immediately.
- MAKE SURE the actuator connection points are secure.
- VISUALLY INSPECT all fixings and fasteners and ensure they are secure prior to use.

Maintenance, Inspection and Test

Joerns Healthcare recommend a thorough inspection and test of the Oxford Stature lift and lifting accessories, slings, scales etc is carried out on a regular basis. Inspection frequency varies depending on locality, so you must check with your dealer or local government agency as appropriate regarding how often an inspection is required. The examination and test should be conducted according to the recommendations and procedures provided in this manual. Joerns Healthcare recommends maintenance, inspection and certified testing is carried out by authorised service agent / dealers only.

NOTE: These recommendations are in compliance with the requirements of 1998 No2307 Health and Safety: The Lifting Operations and Lifting Equipment Regulations 1998. This is a UK regulation. Outside the UK please check your local country requirement.

Cleaning

Clean with ordinary soap and water and/or any hard surface disinfectant. Harsh chemical cleaners or abrasives should be avoided as these may damage the surface finish of the lift. Avoid wetting any of the electrical parts. After cleaning, the unit should be thoroughly dried.

End of Life Disposal

Battery: All batteries in the product and any accompanying accessories must be recycled separately. Batteries should be disposed of in accordance with local or national regulations.

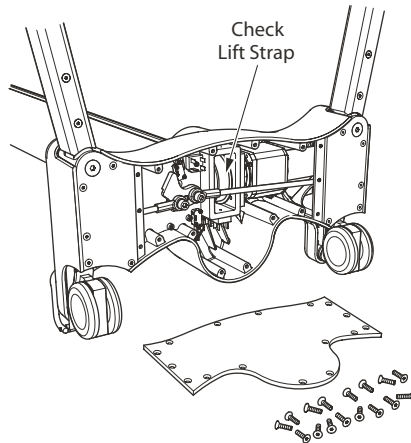
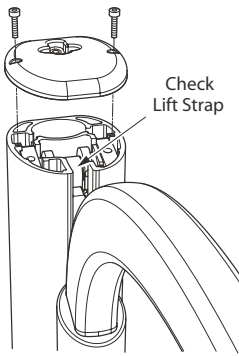
Slings: Slings and associated material accessories should be sorted as combustible waste in accordance with local or national regulations.

***THESE CHECKS SHOULD INCLUDE:**

	Initially	Before Use	Service Intervals
1. SPREADER BAR: Check the spreader bar for freedom of rotation and swing. Check for wear on the central pivot. Check for firm attachment to the boom.	✓	✓	✓
2. BOOM: Check the attachment of the boom to the mast carriage. Make sure there is only minimal movement.	✓	✓	✓
3. MAST: Check it is firmly connected to the chassis.	✓	✓	✓
4. MOTOR GEARBOX: This should require no maintenance other than checking for correct operation and listening for unusual noise.			✓
5. POWER PACK: Check the function of the emergency stop button and emergency down/up.	✓	✓	
6. BATTERIES: The batteries are housed in the power pack and should not require maintenance other than the regular charging as detailed in the charging instructions. Check that the connections remain clean. Confirm the battery bracket is secure and undamaged.			✓
7. LEG ADJUSTMENT: Check that the legs operate in both full extensions (inward/outward).	✓	✓	✓
8. CASTORS: Check all castors for firm attachment to the legs. Check for free rotation of the castor and the wheels.	✓	✓	✓
9. CLEANING: Wipe down with a clean cloth, using soap and water and/ or any hard surface disinfectant. Harsh chemical cleaners or abrasives should be avoided as these may damage the surface finish of the lift. Avoid excessive wetting, especially electrical areas and the opening to the base of the hoist. We recommend that the cloth is soaked in the solution, squeeze out excess fluid and wipe hoist surface. After cleaning, the unit should be thoroughly dried.		✓	✓
10. LOAD TEST: The load test should be carried out in accordance with the manufacturers test procedures and the directive detailed in EN ISO 10535:2006 - Annex B - Periodic Inspection B1 - see excerpt below. It is strongly recommended that an authorised service dealer carry out the test.			✓
11. BASE AND WHEELS: Ensure base is even and level (all four wheels are on the floor).	✓	✓	✓
12. SLINGS: Check for wear and fraying.	✓	✓	✓
13. LUBRICATION: Oil pivot joints, including mast and boom connections, pedal assembly, spreader bar joint (only if required).			✓
14. HAND SET: Ensure plugged fully into controller.	✓	✓	
15. FIXINGS: Check all nuts, bolts, screws and fasteners for excessive wear and for tightness. Replace as required.			✓
16. QUICK RELEASE PIN: Ensure the pin is securely fitted before lifting, by pressing the barbed end.	✓	✓	

***THESE CHECKS SHOULD INCLUDE:**

	Initially	Before Use	Service Intervals
<p>17. LIFTING STRAP: Your lift strap should be checked at service intervals for any sign of wear (ideally every six months). In order to view the strap it is recommended to remove the cap at the top of the mast, cycle the lift in both directions whilst observing the condition of the strap. If you see any wear (fraying, creasing or similar) it is recommended an authorised, Joerns Healthcare Dealer or qualified, competent service engineer replaces the strap IMMEDIATELY. For details regarding strap maintenance and replacement please request our detailed service guide. (See below for details)</p>		✓	✓



EN ISO 10535:2006

Annex B

(Informative)

Periodic Inspection

B. 1 Periodic inspection of the hoist should be undertaken at the time intervals stated by the manufacturer, but at least once a year. By periodic inspection is meant a visual examination (particularly of the hoist's load bearing structure and lifting mechanism with attachments, brakes, controls, safety devices and person-support devices) and whatever function tests and maintenance measures may be required, e.g. adjustment of brakes, tightening of fasteners.

Every inspection should include a working load test of one (1) lifting cycle with the maximum load.

10. Technical Specifications

Safe Working Load	500 lbs.....	227 kgs
Maximum Overall Length	54.7 inches.....	1390 mm
Minimum Overall Length	50.8 inches.....	1290 mm
Maximum Overall Height.....	83.8 inches.....	2130 mm
Minimum Overall Height.....	76.6 inches.....	1945 mm
Height at Maximum Reach.....	77.8 inches.....	1975 mm
Reach at Maximum Height.....	24.6 inches.....	625 mm
Reach at Minimum Height.....	24.6 inches.....	625 mm
Maximum Reach*.....	24.6 inches.....	625 mm
Turning Radius	61.0 inches.....	1550 mm
Legs Open - External Width	53.5 inches.....	1360 mm
Legs Open - Internal Width	48.4 inches.....	1230 mm
Legs Closed - External Width	29.9 inches.....	760 mm
Legs Closed - Internal Width	25.1 inches.....	640 mm
Overall Height of Legs.....	4.3 inches.....	110 mm
Ground Clearance	1.2 inches.....	30 mm
Front Twin Castors	4 inches.....	100 mm
Rear Braked Castors.....	4 inches.....	100 mm

* Reach = centre of spreader bar to the front of the mast

4 Point Position Cradle (measurement to top of location pins)

NOTE: 4 point positioning cradle is standard fitment with the Stature lift.

Cradle Max. Height.....	61 inches.....	1550 mm
Cradle Min. Height (usable)	15.4 inches.....	390 mm

6 Point Spreader Bar (measurement to top of location pins)

NOTE: 6 point positioning cradle is optional for the Stature lift.

Spreader Bar Max. Height.....	77.7 inches.....	1975 mm
Spreader Bar Min. Height (usable).....	26.6 inches.....	675 mm

Weights

Mast, Base & Boom Assembly	142 lbs.....	64.5 kgs
4 point positioning cradle	13.2 lbs.....	6 kgs
Power Pack	6.6 lbs.....	3 kgs
Total	162 lbs.....	73.5 kgs

NOTE: Manufacturing tolerances apply to all dimensions.

ELECTRICAL SPECIFICATIONS:

BATTERIES.....	24 volt Rechargeable sealed lead acid type
BATTERY CAPACITY.....	3.2 Ampere hours
CHARGER RATED INPUT.....	100 - 240 V AC/ 50/60 Hz
CHARGER RATED OUTPUT.....	29.5 VDC, Max. 19 W

ELECTRIC SHOCK PROTECTION

CHARGER.....	CLASS II (EN 60601-1)
LIFT.....	INTERNAL POWER SOURCE

DEGREE OF SHOCK PROTECTION

CHARGER.....	TYPE B (EN 60601-1)
LIFT.....	TYPE B (EN 60601-1)

ENVIRONMENTAL CONDITIONS:

Outside this environment functionality and safety may be compromised.

OPERATING:

TEMPERATURE.....	5°C to 40°C
RELATIVE HUMIDITY.....	20% to 90% @ 30°C - not condensing
ATMOSPHERIC PRESSURE.....	700 to 1060 hPa

STORAGE:

TEMPERATURE.....	-10°C to +50°C
RELATIVE HUMIDITY.....	20% to 90% @ 30°C - not condensing
ATMOSPHERIC PRESSURE.....	700 to 1060 hPa

IP RATINGS

CONTROL BOX.....	IPX4
ACTUATOR.....	IPX4
OFF BOARD CHARGER.....	IPX5
BATTERY.....	IPX5
HANDSET.....	IPX5

DUTY CYCLES

ACTUATOR.....	10% (2 min./18 min.)
CHARGER.....	Approx. 4 hrs.

ACOUSTICS

A-Weighted sound power level.....	60 dB (A)
-----------------------------------	-----------

KEY SYMBOLS:

The following symbols are used on the charger, control unit and battery:



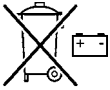
This product is a Medical Device in accordance with EU Medical Device Regulation 2017/745.



Type B equipment, as per EN 60601-1.



Class 2 equipment.



The disposal of batteries should not be mixed with general household waste. Batteries should be disposed of in accordance with local or national regulations.



The disposal of electronics should not be mixed with general household waste.



For indoor use.



ATTENTION, consult accompanying documents.



Refer to the user instructions before use.

WEEE Producers registration number WEE/GG0464RZ

11. Warranty

Joerns Healthcare has an established network of authorised distributors and service agents who will be pleased to handle all of your purchasing, warranty, repair and maintenance enquiries. It is recommended that our products are commissioned by your authorised distributor or service agent.

The distributor or service agent operates the warranty programme, so it is important to keep a record of their name, address and telephone number so they can be contacted should any problem arise. If you are in any doubt as to where your lift was purchased, Joerns Healthcare can trace the supplier if you quote the serial number of the lift.

All warranty claims are subject to the correct use and maintenance in accordance with the user instruction manual provided with each lift. Damage caused by use in unsuitable environmental conditions or failure to maintain the product in accordance with user and service instructions is not covered. Your statutory rights remain unaffected.

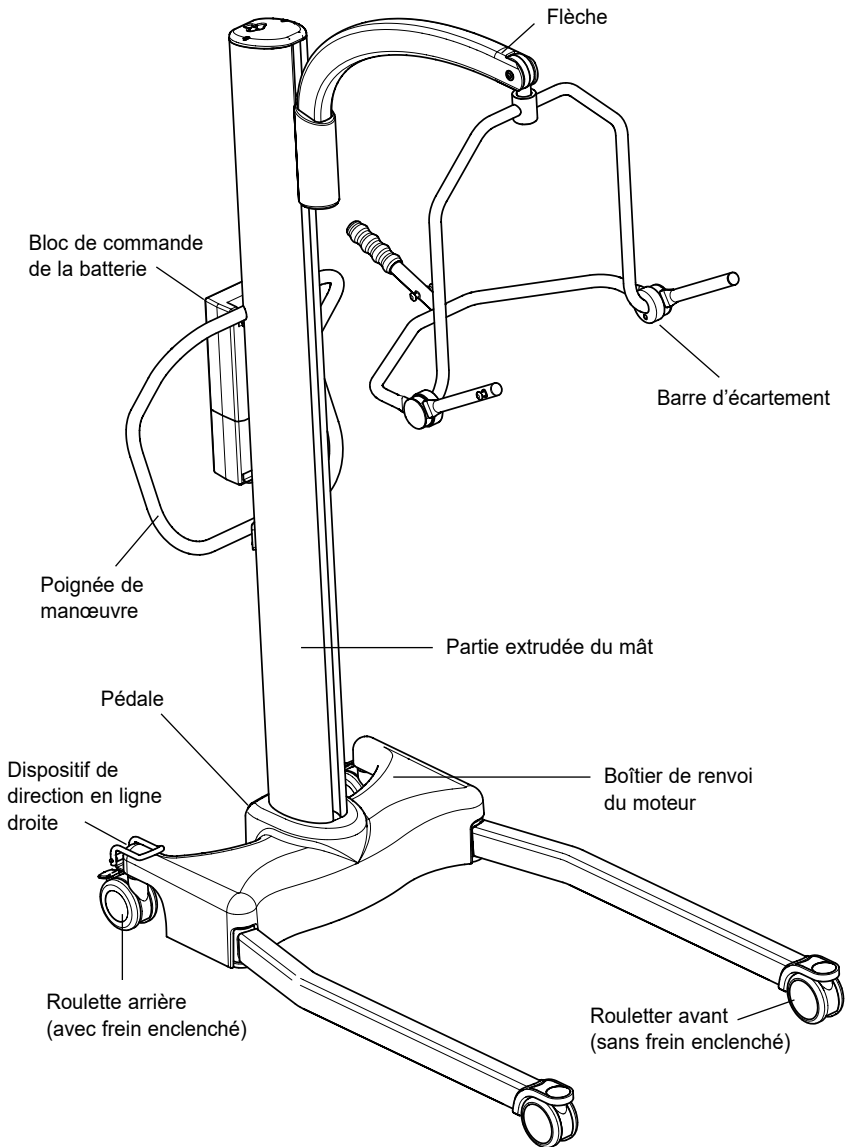
REMEMBER: Contact your authorised distributor or service agent for purchases, repairs, servicing and certified maintenance.

Your distributor:

Table des matières

1. Lève-personne Oxford Stature	29
2. Introduction: À propos de votre lève-personne	30
3. Instructions de montage et de mise en service.....	31
4. Consignes de sécurité.....	35
5. Boîte de commande standard et commande manuelle	37
6. Instructions de fonctionnement	38
7. Dépose des systèmes de barres d'écartement à 6 points et de berceaux à 4 points.....	42
8. Instructions de charge	44
9. Périodicité d'entretien et liste des vérifications quotidiennes.....	46
10. Spécifications techniques	49
11. Garantie.....	52

1. Lève-Personne Oxford Stature



**LISEZ ET COMPRENEZ LES INSTRUCTIONS FIGURANT DANS CE MANUEL
AVANT D'UTILISER LE STATURE**

2. Introduction: À propos de votre lève-personne

Chaque lève-personne Stature est entièrement monté, soumis à un essai de charge et certifié avant d'être emballé / expédié.

L'emballage se compose d'une boîte en carton robuste construite spécialement pour les expéditions domestiques et les exportations et garantissant l'arrivée de l'appareil intact à destination.

L'emballage de chaque lève-personne comprend une pochette contenant un certain nombre de documents qui doivent être conservés en lieu sûr au cas où ils devraient être consultés ultérieurement.

• MANUEL D'UTILISATION • LISTE DE VÉRIFICATIONS D'EMBALLAGE • CERTIFICAT D'ESSAI

Le CERTIFICAT D'ESSAI est un document important qui doit être conservé dans votre dossier assurance. Il est valide pendant six mois et, après son expiration, le lève-personne doit être inspecté et entretenu par un ingénieur autorisé compétent selon le calendrier d'entretien.

▲ AVERTISSEMENT

Avant chaque utilisation du lève-personne, référez-vous à la liste des vérifications quotidiennes fournie dans le manuel.

Marque CE : L'appareil Oxford Stature porte la marque CE et il est conforme aux directives CE suivantes:



- Medical Device Directive (appareils médicaux) (93/42/EEC)
- Directive EMC (89/336/EEC)
- Directive relative aux basses tensions (73/23/EEC)

Declaración de uso al que está destinado

El uso previsto para este dispositivo es la elevación y transferencia seguras de un individuo de una superficie de descanso a otra (como de una cama a una silla de ruedas, por ejemplo). Joerns Healthcare recomienda que la transferencia de pacientes se lleve a cabo posteriormente a una evaluación de riesgos, y de manera segura, en una breve distancia solamente.

L'Oxford Stature est un lève-personne électrique, conçu pour soutenir et promouvoir la sécurité de la manipulation et du transport du patient pour le personnel soignant et le patient lui-même.

L'appareil Oxford Stature convient aux patients ASSIS, ASSIS / ALLONGÉS ET ALLONGÉS. Les sangles convenant pour l'utilisation de ce dispositif sont énumérés ci-dessous:

- Oxford Quickfit
- Oxford Access
- Oxford Quickfit Deluxe
- Oxford Long Seat
- Oxford Full Back
- Oxford Comfort
- Oxford Silkfit

▲ AVERTISSEMENT

Les lève-personnes Oxford doivent être manipulés exclusivement par du personnel soignant formé/compétent.

Durée de vie prévue

Les lève-personnes Oxford Professional sont conçus et testés pour une durée de vie minimum de dix (10) ans, si les consignes d'utilisation et d'entretien énoncées dans le présent manuel sont respectées. Toute utilisation non conforme aux consignes peut compromettre la durée de vie du matériel.

Signalement d'un incident grave

Tout incident survenant durant l'utilisation de ce produit et ayant des conséquences pour le patient et/ou le professionnel de santé doit être porté à la connaissance du fabricant du produit ou du distributeur agréé. Si l'incident se produit au sein de l'Union européenne (UE), il doit également être signalé aux autorités compétentes de l'État membre.

3. Instructions de montage et de mise en service

Contenu de la boîte

Placez la boîte sur une surface bien dégagée et ouvrez-la avec précaution. Elle contient:

- LÈVE-PERSONNE OXFORD STATURE
- UNE POCLETTE CONTENANT DES DOCUMENTS
- UNE COMMANDE MANUELLE
- BLOC BATTERIE
- CHARGEUR / SUPPORT / FIL POUR BUREAU
- KIT DE FIXATION (COMPREND LES VIS, UNE CLÉ HEXAGONALE, UNE DOUILLE HEXAGONALE, UNE PLAQUE DE COUVERTURE)

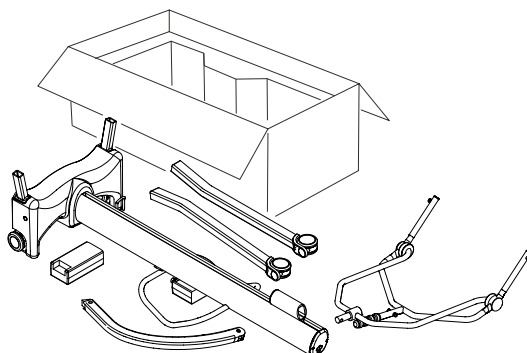
▲ AVERTISSEMENT

L'appareil Oxford Stature est lourd et doit être soulevé avec précaution. Vous aurez éventuellement besoin d'aide pour soulever l'appareil Oxford Stature et le sortir de sa boîte.

Montage

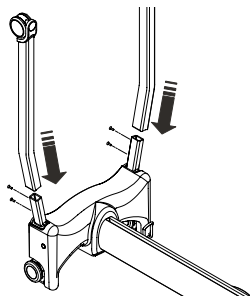
Retirez toutes les pièces de la boîte et placez-les par terre, en prenant soin de protéger le fini.

1. Placez le châssis et le mât (qui sont connectés) dans un espace dégagé. Le mât et le châssis doivent reposer sur la poignée de manœuvre, ce qui garantit que l'appareil restera stable pendant le raccordement des pieds et de la flèche à l'appareil.



- Adaptez les pieds au châssis à l'aide de deux vis à têtes fraisées plates de 6 mm par pied, comme fourni.

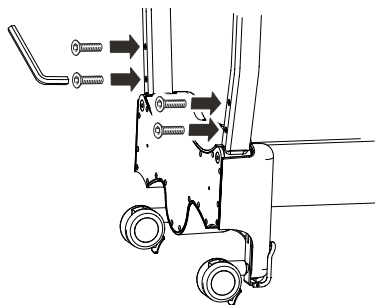
REMARQUE: les pieds gauche et droit sont différents et sont configurés comme indiqué ci-dessous.



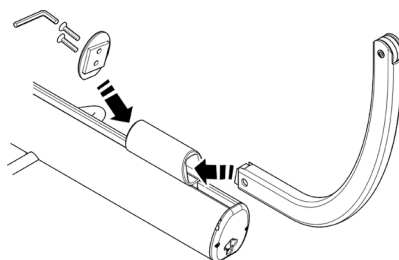
- Serrez les vis de 6 mm se trouvant de chaque côté du châssis à l'aide de la clé hexagonale fournie.

⚠ AVERTISSEMENT

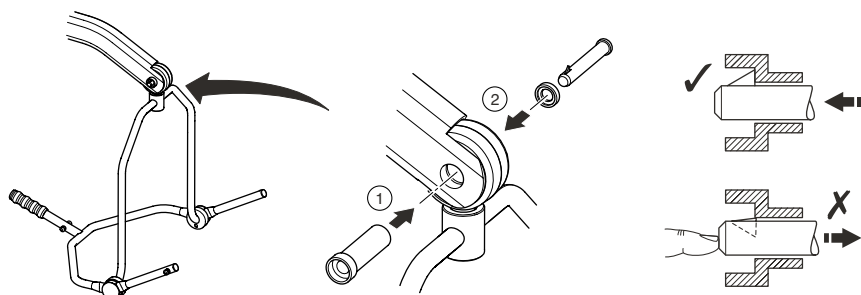
Les vis doivent être fermement serrées.



- Introduisez la partie courbée de la flèche dans le support de celle-ci. Fixez l'ensemble en insérant les deux vis à têtes fraisées plates de 6 mm dans la plaque de couverture bleue fournie avec le kit de fixation, comme indiqué ci-dessous, et serrez fermement.



5. Fixez le berceau de positionnement à quatre points sur la flèche de relevage en insérant la goupille fendue. Assurez-vous que la goupille est bien en place.

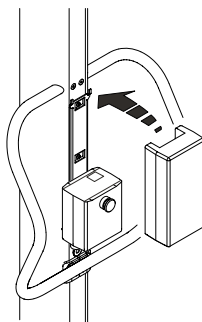
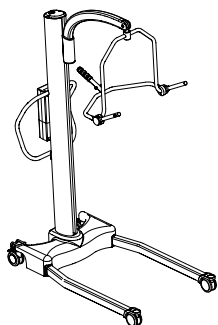


6. Relevez le Stature en position verticale et serrez les freins.

⚠ AVERTISSEMENT

Faites attention lors du relevage du Stature en position verticale, car il est lourd.

Adaptez la prise de la poignée de commande dans la partie inférieure du boîtier de commande qui se trouve sur le mât, assurez-vous de l'alignement correct avec la douille de la prise. Adaptez le bloc d'alimentation sur le lève-personne ; assurez-vous que le verrou maintenant le bloc en place est complètement enclenché, et qu'il a émis un « Clic ».

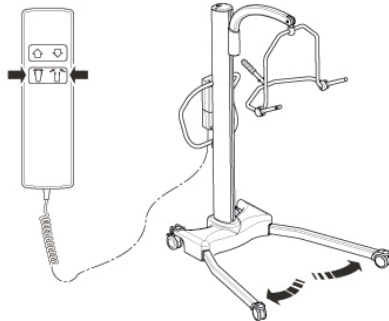


Démontage

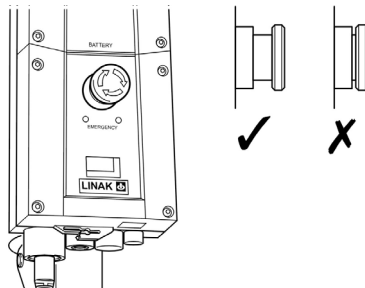
Le lève-personne ne doit pas être démonté sauf pour entretien, réparation ou transport si nécessaire. Si un démontage s'impose, suivez les instructions de montage dans l'ordre inverse.

EFFECTUEZ TOUJOURS LES VÉRIFICATIONS SUIVANTES AVANT D'UTILISER L'APPAREIL:

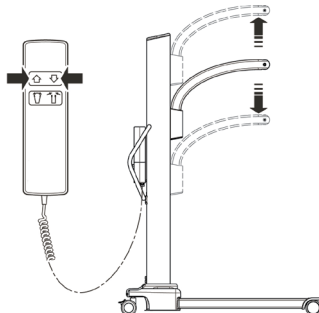
- Appuyez sur les boutons d'ouverture et de fermeture sur la commande manuelle afin de confirmer l'ouverture et la fermeture satisfaisantes des pieds du lève-personne.



- Le bouton rouge d'arrêt d'urgence situé à l'arrière du boîtier de commande, est en position OFF (arrêt).



- Appuyez sur les boutons « up » (vers le haut) et « down » (vers le bas) de la commande manuelle pour confirmer que la flèche se lève et s'abaisse correctement.



4. Consignes de sécurité

Veillez lire et suivre les consignes de sécurité ci-dessous. Le fonctionnement et l'utilisation des lève-personnes Oxford sont simples et clairs. Si vous suivez ces quelques consignes de sécurité fondamentales, vous serez en mesure d'utiliser ce lève-personne facilement et sans problèmes.

AVANT D'UTILISER VOTRE LÈVE-PERSONNE « STATURE », LISEZ LES INSTRUCTIONS DU MANUEL D'UTILISATION ET VEILLENZ À BIEN LES COMPRENDRE

AVERTISSEMENT: Consigne de sécurité importante sur un danger pouvant entraîner des blessures graves.

ATTENTION: Consigne de précaution pour éviter d'endommager le produit.

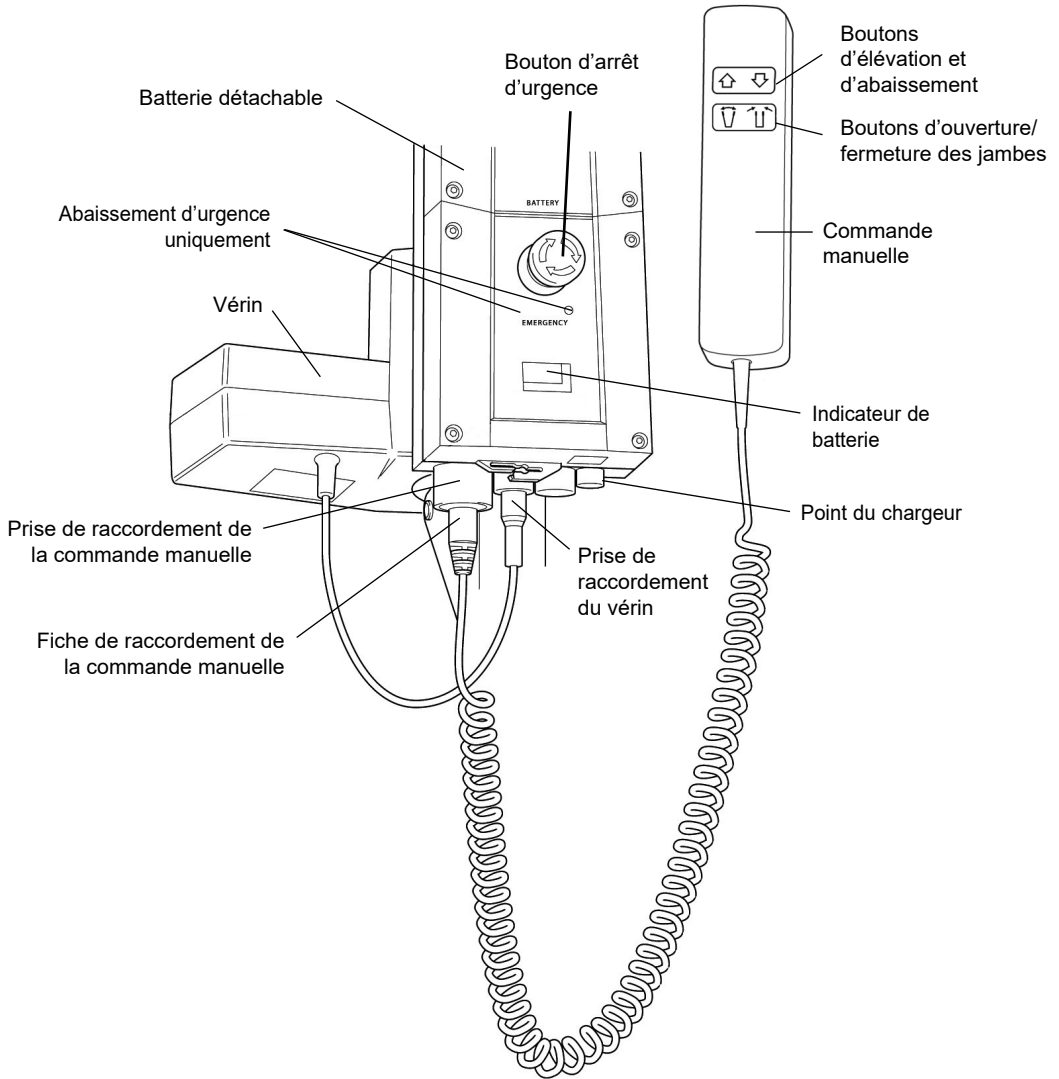
REMARQUE: Informations auxquelles il convient de prêter une attention particulière.

▲ AVERTISSEMENT

- Les lève-personnes Oxford doivent être manipulés exclusivement par du personnel soignant formé/compétent.
- Vérifiez TOUJOURS que la charge maximale d'utilisation du lève-personne est compatible avec le poids du patient.
- **NE DÉPASSEZ PAS** la charge maximale du lève-personne, car un dispositif de limitation de courant électrique s'activerait et empêcherait l'utilisation du lève-personne.
- Planifiez TOUJOURS vos opérations de levage avant de commencer.
- Effectuez TOUJOURS les étapes de la LISTE DES VÉRIFICATIONS QUOTIDIENNES avant d'utiliser le lève-personne.
- Familiarisez-vous TOUJOURS avec les commandes de fonctionnement et les dispositifs de sécurité d'un lève-personne avant de soulever un patient.
- **N'UTILISEZ PAS** de courroie, à moins que cela ne soit recommandé.
- Vérifiez TOUJOURS que la courroie convient au patient et qu'elle est de taille et de capacité appropriées.
- N'utilisez JAMAIS une courroie effilochée ou montrant des signes de détérioration.
- Ajustez TOUJOURS la courroie suivant les instructions fournies (consignes d'utilisation).
- Assurez-vous TOUJOURS que les sangles **NE** s'enroulent **PAS** autour des pieds du lève-personne.
- Effectuez TOUJOURS le levage en fonction des instructions du manuel d'utilisation.
- Ne débranchez ni n'ignorez JAMAIS une commande ou un dispositif de sécurité sous prétexte que cela facilite l'utilisation du lève-personne.

- **NE soulevez PAS un patient si les freins des roulettes sont enclenchés. Laissez toujours le lève-personne trouver le centre de gravité correct.**
- **N'essayez PAS de manœuvrer le lève-personne en poussant le mât, la flèche ou le patient.**
- **Manœuvrez TOUJOURS le lève-personne avec la poignée qui se trouve sur le mât. Une pédale est également prévue sur la base du lève-personne.**
- **Amenez TOUJOURS le patient à la position la plus basse et la plus confortable avant un transfert.**
- **NE poussez PAS un lève-personne chargé à des vitesses dépassant une allure de marche lente (3 kilomètres / heure, soit 0.8 mètres / seconde).**
- **NE poussez PAS le lève-personne sur un terrain accidenté particulièrement s'il est chargé.**
- **N'essayez PAS de pousser / tirer un lève-personne chargé pour surmonter un obstacle au sol.**
- **NE forcez JAMAIS une commande de fonctionnement / de sécurité. Toutes les commandes sont faciles à utiliser et ne nécessitent pas une force excessive.**
- **NE rangez JAMAIS un lève-personne chargé sur UNE surface inclinée.**
- **N'utilisez PAS les lève-personnes électriques dans la douche.**
- **NE chargez PAS un lève-personne électrique dans une salle de bains ou une salle de douche.**
- **NE soulevez PAS un patient si vous n'en avez ni l'expérience ni la compétence.**
- **VOTRE lève-personne est prévu pour soulever des patients. NE l'utilisez PAS, et n'autorisez personne à s'en servir à d'autres fins.**
- **NE forcez PAS le lève-personne à descendre des marches, qu'il soit chargé ou non.**
- **N'essayez PAS de déplacer un lève-personne chargé sur une pente de plus de 1:12 (environ 5 degrés).**
- **N'essayez PAS de monter ou de descendre une côte sans une autre personne à vos côtés.**
- **N'utilisez PAS le lève-personne dans un endroit mouillé ou corrosif, tel que les abords d'une piscine.**
- **N'UTILISEZ PAS l'appareil sur une moquette épaisse lorsque le lève-personne est complètement chargé.**
- **N'UTILISEZ JAMAIS le lève-personne si des pièces/fixations sont desserrées ou manquantes.**

5. Boîte de commande standard et commande manuelle



6. Instructions de fonctionnement

AVERTISSEMENT

Les lève-personnes Oxford doivent être manipulés exclusivement par du personnel soignant formé/compétent.

1. Réglage des pieds

La largeur des pieds de l'appareil Oxford Stature est réglable. Les pieds peuvent être ouverts pour faciliter l'accès autour des fauteuils ou des chaises roulantes. Pour permettre les transferts et le passage par des portes et des endroits exigus, les pieds du lève-personne doivent être en position fermée.

Le réglage des pieds électriques - est accompli en appuyant sur certains boutons de la commande manuelle. Les pieds se bloquent lorsque l'interrupteur de la commande manuelle est relâché.

2. Roulettes et freinage

Le lève-personne comporte deux roulettes à frein, qui permettent d'immobiliser l'appareil. Durant le levage, les roulettes doivent rester libres et ne pas être bloquées. Le lève-personne peut ainsi se diriger vers son centre de gravité. Si les freins sont enclenchés, le patient peut basculer vers le centre de gravité, ce qui peut s'avérer déconcertant et inconfortable. Fixé sur la roulette arrière se trouve un dispositif de direction, qui facilite le déplacement en ligne droite quand il est appliqué sur la roulette.

3. Levage et abaissement de la flèche

Le mouvement du support de la flèche est transmis par un puissant boîtier de renvoi du moteur, qui est lui-même contrôlé par une simple unité de commande manuelle. La commande manuelle est munie de deux boutons sur lesquels se trouvent les flèches UP (vers le haut) et DOWN (vers le bas). Le boîtier de renvoi s'arrête automatiquement en fin de course dans les deux sens. La commande manuelle se branche sur une prise située à la base du boîtier de commande. Consigne de sécurité - Le mouvement vers le bas de la flèche s'arrête si le lève-personne détecte que le patient a rencontré un obstacle.

4. Arrêt d'urgence

Le bouton rouge d'arrêt d'urgence, situé à l'arrière du boîtier de commande, est activé lorsqu'on appuie dessus. Cela coupe l'alimentation du lève-personne, laquelle n'est rétablie que lorsque le bouton est tourné dans le sens antihoraire, puis relâché.

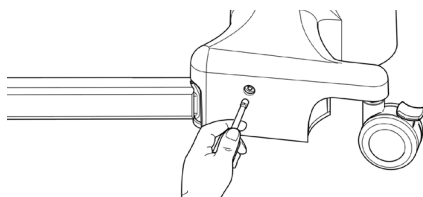
5. Descente / Levée électrique d'urgence

Les boutons de descente et de levée d'urgence se trouvent à l'avant du boîtier de commande. Pour les activer, insérez la pointe d'un stylo à bille dans le bouton portant l'inscription $\uparrow\downarrow$. Cela permet de faire descendre la flèche en cas de défaillance de la commande manuelle.

6. Descente mécanique d'urgence

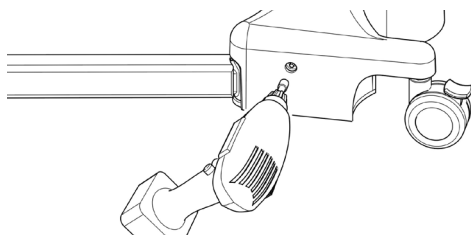
En cas de panne électrique totale, le lève-personne Stature est doté d'un dispositif de descente mécanique. Ce dispositif se trouve sur le côté gauche du châssis du lève-personne.

Le mécanisme de descente s'actionne en introduisant une douille hexagonale de 6 mm dans l'ouverture et sur le mécanisme en la tournant dans le sens des aiguilles d'une montre pour relever le lève-personne et dans le sens inverse pour l'abaisser. Ceci peut être effectué manuellement avec une clé à douille.



RECOMMANDATION

Afin de relever ou d'abaisser la flèche plus rapidement, il est conseillé d'utiliser une douille hexagonale de 6 mm en conjonction avec un adaptateur de 1/4 pouce et une visseuse électrique réversible. (Remarque - n'utilisez pas le réglage marteau.) Ceci accélérera la montée et la descente en sécurité du patient. Une douille hexagonale de 6 mm se trouve dans le capuchon supérieur situé en haut du mât.



REMARQUE: avant de lever ou d'abaisser le patient, veillez à prévoir votre destination avec prudence. Par exemple, recul sur une chaise ou un lit.

7. Batteries

Les batteries sont protégées contre les décharges poussées par une ALARME DE BASSE TENSION. Celle-ci retentit lorsque les batteries doivent être rechargées et que la commande manuelle est en usage. Elle ne retentit pas si la commande manuelle n'est pas en usage. **NE NÉGLIGEZ PAS CETTE ALARME.** Achevez le levage et mettez l'appareil sous charge (voir instructions de charge).

8. Courroies

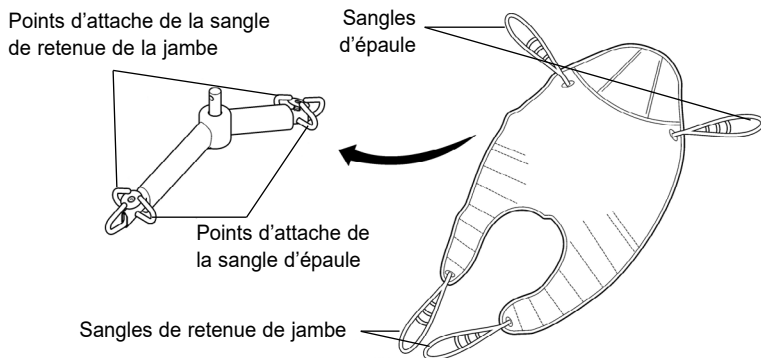
L'appareil Oxford Stature peut être équipé d'une barre d'écartement à six points ou d'une chassiss à quatre points de fixation. Les deux systèmes utilisent des méthodes de fixation et des courroies différentes.

Le système à six points utilise des courroies dotées de boucles sanglées de couleurs différentes, permettant de régler le positionnement. Le système à quatre points utilise le système d'attaches sécuritaires Secri3 et se règle en faisant pivoter la chassiss à quatre points montes ou descendre.

Courroies à sangles à boucles: Oxford Quickfit, Full Back, Quickfit Deluxe, Long Seat, Access et Silkfit

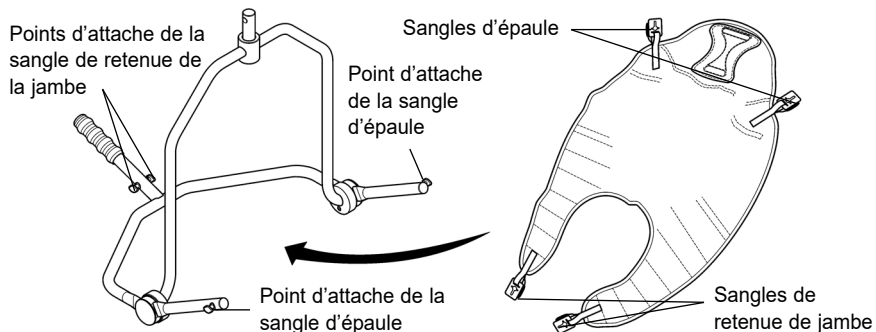
Courroies dotées d'attaches sécuritaires: Oxford Comfort

Le système à deux points s'attache aux crochets de la barre d'écartement à l'aide de sangles à boucles (illustrées ci-dessous). Chaque courroie est fournie avec des instructions. Veuillez lire le guide d'instructions avant toute utilisation.

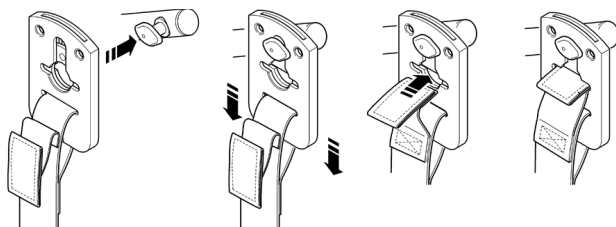


Barre d'écartement à 6 points. Exemple d'une courroie pour barre d'écartement à six points munie d'attaches en boucle.

La courroie pour le système à quatre points s'attache aux crochets de la chassiss à l'aide de sangles à boucles (illustrées ci-dessous). Chaque courroie est fournie avec des instructions. Veuillez lire le guide d'instructions avant toute utilisation.



Chassiss à 4 points de fixation. Exemple d'une courroie pour chassiss à 4 points dotée d'attaches sécuritaires.



Système de fixation à sangle Securi3. Exemple d'installation.

REMARQUE: Pour toute instruction détaillée sur la mise en place, reportez-vous au guide d'utilisation fourni avec chaque courroie.

⚠ AVERTISSEMENT

Joerns Healthcare vous conseille de vérifier, régulièrement et avant toute utilisation, que vos courroies ne sont ni effilochées, ni endommagées. N'utilisez JAMAIS une courroie usagée ou endommagée.

⚠ AVERTISSEMENT

OXFORD RECOMMANDE L'UTILISATION DE PIÈCES OXFORD AUTHENTIQUES. Les produits de sangle et de levage Oxford sont conçus pour être compatibles ensemble. Pour les directives spécifiques à votre pays au sujet de l'utilisation d'élingues et de leur compatibilité, veuillez lire l'étiquette de l'élingue ou contacter votre revendeur local ou Joerns Healthcare.

⚠ AVERTISSEMENT

Respectez la charge maximale du lève-personne. La charge de la courroie est limitée par la charge maximale du lève-personne.

7. Dépose des systèmes de barres d'écartement/ chassis

SUIVEZ CES INSTRUCTIONS À LA LETTRE

Votre lève-personne Stature a l'option d'un système d'écartement à 6 points ou chassis à 4 points. Le retrait d'une de ces systèmes s'effectue facilement à l'aide d'une broche à déblocage rapide. Cette opération est rapide et facile, mais il est nécessaire de lire les consignes de sécurité suivantes afin de vous assurer que la barre d'écartement/chassis est verrouillée en place et en sécurité avant utilisation.

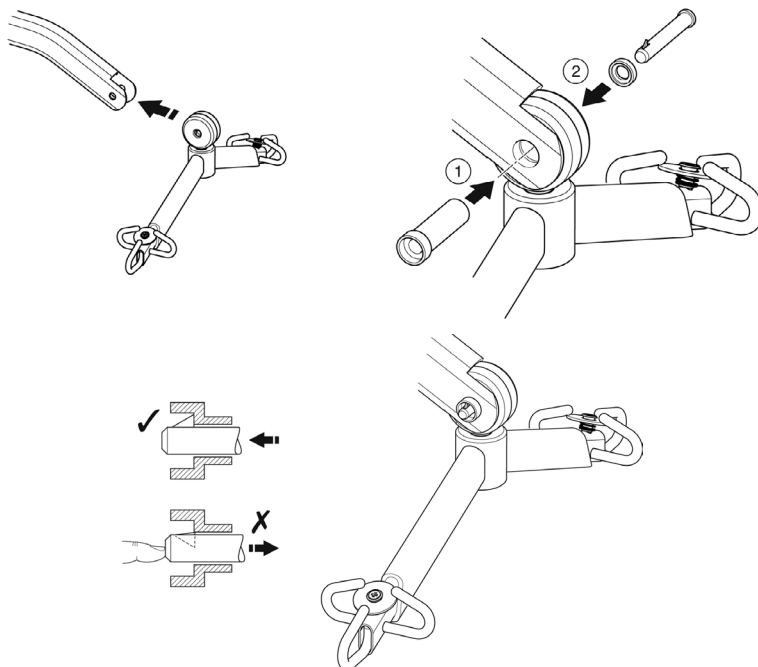
Connexion

Pour effectuer la connexion, relevez la barre d'écarter/chassis vers l'encoche de la flèche.

Introduisez le manchon de la broche dans le capuchon en plastique pour soutenir la barre d'écartement/chassis.

Une fois l'alignement sur l'encoche de la flèche obtenu, réintroduisez la broche à déblocage rapide dans le manchon jusqu'à ce qu'elle se verrouille en place. **VÉRIFIEZ QUE LA BROCHE EST CORRECTEMENT ENCLENCHÉE**

Pour cela, appuyez sur l'extrémité cannelée avec le doigt. Si la broche reste immobile, le lève personne peut être utilisé en sécurité.

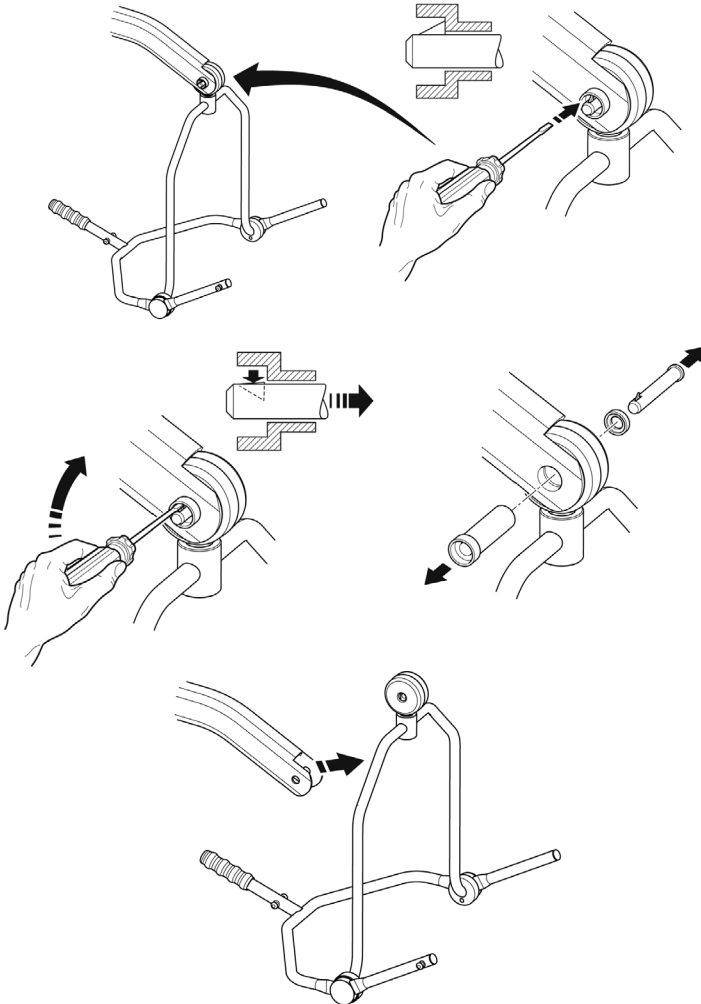


Dépose

ATTENTION: Vérifiez que le poids de la barre est correctement/chassis supporté avant de retirer la goupille.

Pour détacher la broche, appuyez sur la languette de ressort (à l'aide d'un tournevis plat ou un outil similaire) et extrayez la broche.

Soutenez la barre d'écartement/chassis et tirez le manchon de la broche dans le sens opposé, en le retirant complètement de la flèche. Ceci libère complètement la barre d'écartement/chassis.



8. Instructions de charge

Lorsque le bloc d'alimentation nécessite d'être chargé, retirez-le du lève-personne et insérez-le dans le chargeur non transporté.

Joerns Healthcare recommande d'acheter un pack de batteries supplémentaire afin d'avoir toujours à disposition un pack chargé.

1. Retirez le bloc d'alimentation du lève-personne. Le bloc est maintenu en place par un simple loquet fixé en haut. Il suffit de soulever le loquet pour libérer le bloc d'alimentation.
2. Insérez le bloc d'alimentation dans le chargeur. L'orientation et l'enclenchement du bloc d'alimentation dans le chargeur sont les mêmes que lorsqu'il est branché dans le lève-personne.
3. Branchez la fiche du chargeur sur une prise de courant, puis mettez le chargeur SOUS TENSION.
4. La charge est automatique et se poursuivra sur une période de quatre (4) heures jusqu'à recharge complète des batteries.

Remarque: même si le chargeur reste branché pendant une période plus longue que nécessaire, la charge des batteries s'interrompt dès que celles-ci sont pleines. Il n'y a pas de risque de surcharge.

- a) Témoin vert - Chargeur sous tension.
- b) Témoin jaune - Charge en cours.
- c) L'extinction du témoin jaune indique que la batterie est entièrement chargée.

Remarque: Il est conseillé de charger la batterie dès réception de celle-ci.

5. Pour réutiliser le lève-personne, débranchez la fiche du chargeur et retirez le bloc d'alimentation du chargeur. Insérez le bloc d'alimentation dans le lève-personne. Vérifiez que le loquet qui maintient le bloc en place est bien enclenché. S'il est bien enclenché, il doit émettre un clic. Le processus de charge des lève-personnes électriques Oxford est simple, mais il est important de suivre attentivement les consignes énoncées. Prêtez une attention particulière aux points ci-dessous pour éviter tout problème de batteries déchargées.

AVERTISSEMENT

- **La batterie, le chargeur, la commande manuelle et la boîte de commande NE doivent PAS être ouverts par du personnel non autorisé. (Contactez votre distributeur pour toute information sur la garantie et les réparations).**
- **NE touchez PAS les bornes de la batterie/du chargeur.**
- **VEILLEZ à ce que les batteries restent en permanence complètement chargées. Pendant les périodes de non-utilisation du lève-personne, mettez la batterie en charge. Vous pouvez également mettre la batterie en charge la nuit. Le chargeur interrompt automatiquement la recharge dès que les batteries sont pleines. Il n'y a pas de risque de surcharge**
- **NE laissez JAMAIS les batteries se décharger complètement. Dès que l'avertisseur sonore retentit, terminez le levage en cours, puis mettez-les batteries en charge.**
- **Pour éviter tout endommagement irréversible de la batterie, il convient de mettre celle-ci en charge dès que l'écran affiche le symbole de la batterie à moitié pleine.**

- **N'entreposez JAMAIS** la batterie pendant une longue période sans le recharger régulièrement.
- **Veillez à TOUJOURS** mettre le chargeur hors tension avant de brancher ou de débrancher le bloc d'alimentation.
- **Ne laissez JAMAIS** le bloc d'alimentation branché au chargeur si ce dernier est hors tension.
- **NE LAISSEZ PAS** le chargeur sous tension si la batterie est débranchée.
- **N'UTILISEZ PAS** le lève-personne pendant qu'il est en charge.
- **VÉRIFIEZ** que le lève-personne n'est pas en charge avant de le déplacer afin d'éviter tout endommagement électrique.
- **NE DÉBRANCHEZ JAMAIS** le chargeur en tirant sur le câble.
- **VEILLEZ** à ne pas trébucher sur le câble du chargeur.
- **NE RECHARGEZ PAS** un lève-personne électrique dans une salle de bains ou une salle d'eau.

9. Périodicité d'entretien

Tous les produits Oxford sont conçus de manière à ne nécessiter qu'un entretien minimal; toutefois, certaines vérifications et procédures de sécurité sont nécessaires. Un tableau des tâches QUOTIDIENNES est présenté ci-après. Des vérifications quotidiennes et un entretien, une inspection et un essai semestriel garantissent que le lève-personne fonctionne parfaitement. Une liste de pièces détachées est disponible sur demande.

L'ESSAI DE CHARGE et la certification doivent être effectués par du personnel qualifié ou un agent / concessionnaire d'entretien autorisé.

LISTE DES VÉRIFICATIONS QUOTIDIENNES: Joerns Healthcare vous conseille vivement d'effectuer les vérifications suivantes chaque jour et avant d'utiliser le lève-personne.

- VÉRIFIEZ que le lève-personne se déplace librement sur ses roulettes.
- ASSUREZ-VOUS que la barre d'écartement tourne et pivote facilement. Vérifiez qu'elle est bien fixée sur la flèche.
- RECHERCHEZ les signes d'usure sur les crochets des courroies de la barre d'écartement et sur les dispositifs de suspension latéraux. Dans le doute, ne les utilisez pas.
- INSPECTEZ les courroies afin de déceler tout éventuel signe d'effilochage ou d'usure. N'UTILISEZ PAS de courroie endommagée.
- ASSUREZ-VOUS que les pieds s'ouvrent et se ferment correctement.
- VÉRIFIEZ que les pieds s'ouvrent et se ferment correctement et se verrouillent en position ouverte et fermée.
- VÉRIFIEZ que l'icône de la clé anglaise sur l'écran d'affichage de la boîte de commande n'est pas allumée et qu'aucun bip sonore n'est émis lorsque vous actionnez les boutons élever / abaisser.
- ASSUREZ-VOUS que l'alarme de batterie faible ne se déclenche pas lorsque la commande manuelle est actionnée (lève-personne électrique uniquement). Si l'alarme retentit, N'UTILISEZ PAS l'appareil et mettez-le sous charge immédiatement.
- Les appareils électriques ACTIVÉS permettent de vérifier le fonctionnement du bouton d'arrêt d'urgence.
- INSPECTEZ VISUELLEMENT toutes les fixations et vérifiez qu'elles sont bien serrées avant utilisation.

Entretien, Inspection Et Essais

Joerns healthcare recommande d'effectuer régulièrement une inspection et des essais poussés du lève-personne Oxford Stature et des accessoires, courroies, etc. La fréquence des inspections varie selon l'endroit. Veuillez vous renseigner auprès de votre revendeur et / ou d'un organisme gouvernemental local sur la périodicité requise des inspections. Les examens et les essais doivent être effectués suivant les recommandations et les procédures énoncées dans le présent manuel. Dans la mesure du possible, Joerns Healthcare recommande que l'entretien, les inspections et les essais certifiés soient effectués uniquement par un agent d'entretien ou un revendeur agréé.

REMARQUE: Ces recommandations sont conformes aux normes d'Hygiène et de Sécurité N° 2307 de 1998. Réglementations sur les opérations et l'équipement de levage 1998. Il s'agit d'une réglementation du Royaume-Uni. En dehors du Royaume-Uni, veuillez vous renseigner sur les règlements de votre pays.

Nettoyage

Nettoyez au savon ordinaire et à l'eau et /ou avec un désinfectant pour surfaces dures. Les produits de nettoyage chimiques corrosifs ou les abrasifs doivent être évités, car ils peuvent endommager le fini du lève-personne. Évitez de mouiller les pièces électriques. Après le nettoyage, l'appareil doit être soigneusement séché.

Mise au rebut en fin de vie

Batteries : Les batteries présentes dans le produit et tout accessoire connexe doivent être recyclés séparément. Les batteries doivent être éliminées conformément aux réglementations locales et nationales en vigueur.

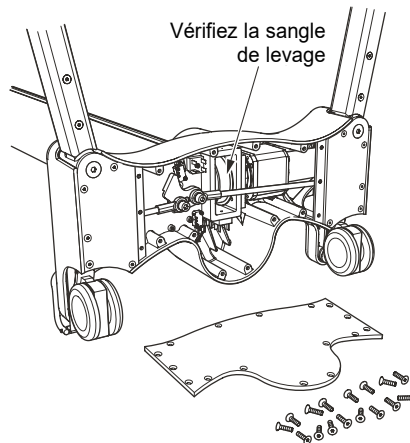
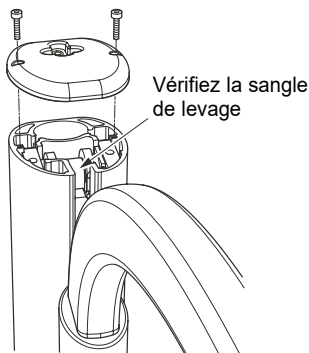
Sangles : Les sangles et accessoires connexes doivent être éliminés avec les déchets combustibles conformément aux réglementations locales et nationales en vigueur.

***CES VÉRIFICATIONS DOIVENT PORTER SUR:**

	Initialement	Avant utilisation	Intervalles d'entretien
1. BARRE D'ÉCARTEMENT/CHASSIS: Vérifiez que la barre d'écartement/chassis tourne et pivote librement. Vérifiez l'absence d'usure sur le pivot central. Assurez-vous qu'elle est solidement fixée sur la flèche.	✓	✓	✓
2. FLÈCHE: Vérifiez que la flèche est fixée sur le mât. Assurez-vous que le mouvement de la flèche est minimal.	✓	✓	✓
3. MÂT: vérifiez s'il est fermement connecté au châssis.	✓	✓	✓
4. BOÎTIER DE RENVOI DU MOTEUR: Hormis la vérification du bon fonctionnement et la recherche de bruits inhabituels, le boîtier de renvoi du moteur ne nécessite en principe aucun entretien.			✓
5. BLOC D'ALIMENTATION: Vérifiez le fonctionnement des boutons d'arrêt d'urgence et de descente d'urgence.	✓	✓	
6. BATTERIES: Les batteries sont logées dans le bloc d'alimentation et, à l'exception de recharges régulières effectuées conformément aux instructions de charge, elles ne nécessitent en principe aucun entretien. Vérifiez la propreté des connexions. Confirmez que le support de batterie est fixé et intact.			✓
7. RÉGLAGE DES PIEDS: Vérifiez que les pieds s'étendent complètement (vers l'intérieur / l'extérieur).	✓	✓	✓
8. ROULETTES: Vérifiez que toutes les roulettes sont solidement fixées sur les pieds. Vérifiez que les roulettes et les roues tournent librement.	✓	✓	✓
9. NETTOYAGE: Essayez avec un chiffon propre, en utilisant de l'eau savonneuse et/ou un désinfectant pour surfaces dures. Les produits de nettoyage chimiques corrosifs ou abrasifs doivent être évités, car ils peuvent endommager le fini du lève-personne. Évitez de mouiller excessivement, surtout les zones électriques et l'ouverture à la base du lève-personne. Nous recommandons d'imprégner le chiffon de solution, de presser l'excès de liquide et d'essuyer la surface du lève-personne. Après le nettoyage, l'appareil doit être soigneusement séché.		✓	✓
10. ESSAI DE CHARGE: L'essai de charge doit être réalisé selon les exigences et procédures d'essai énoncées par le fabricant et détaillées dans la norme EN ISO 10535:2006 - Annexe B - Contrôle périodique B1, dont un extrait est fourni ci-dessous. Il est vivement recommandé de faire appel à un service agréé pour la réalisation de l'essai.			✓
11. BASE ET ROUES: Assurez-vous que la base est régulière et nivelée (les quatre roues reposent sur le sol).	✓	✓	✓
12. COURROIES: Vérifiez qu'elles ne sont pas usées, ni effilochées.	✓	✓	✓
13. LUBRIFICATION: Huilez les joints pivotants, y compris les pièces reliant le mât et la flèche, l'ensemble de la pédale, la barre d'écartement et le joint (seulement si nécessaire).			✓

***CES VÉRIFICATIONS DOIVENT PORTER SUR:**

	Initialement	Avant utilisation	Intervalles d'entretien
14. COMBINÉ: Vérifiez qu'il est totalement branché dans le contrôleur.	✓	✓	
15. GOUPILLE À DÉVERROUILLAGE RAPIDE: Vérifiez que la goupille est bien insérée avant de soulever en appuyant sur l'extrémité crantée.			✓
16. FIXATIONS: Vérifiez que les écrous, boulons, vis et fixations ne présentent pas de signe d'usure et sont correctement serrés. Remplacez-les si nécessaire.	✓	✓	
17. SANGLE DE LEVAGE: L'usure de votre sangle de levage doit être vérifiée lors de l'entretien de routine (tous les six mois, de préférence). Pour voir la sangle, il est recommandé de déposer le capuchon en haut du mât et d'effectuer un cycle de levage dans les deux sens tout en observant l'état de la sangle. Si vous voyez une usure (un effilochement ou un craquelèment ou un phénomène similaire), il est conseillé qu'un revendeur Joerns Healthcare ou un ingénieur d'entretien qualifié, compétent et agréé, remplace IMMÉDIATEMENT la sangle. Pour plus de détails sur l'entretien et le remplacement des sangles, veuillez demander notre guide d'entretien détaillé. (Voir les détails ci-dessous.)		✓	✓



EN ISO 10535:2006

Annexe B

(Texte fourni à titre informatif)

Contrôle périodique

B. 1 Le contrôle périodique du lève-personne doit être effectué aux intervalles spécifiés par le fabricant et au moins une fois par an. Le contrôle périodique consiste en une inspection visuelle (en particulier de la structure portante et du mécanisme de levage du lève-personne, ainsi que les accessoires, freins, commandes, dispositifs de sécurité et dispositif de soutien), ainsi que tous les essais de fonction et les mesures de maintenance éventuellement requis, comme le réglage des freins et le serrage des éléments de fixation et de visserie.

Chaque inspection doit prévoir un essai de charge en situation réelle d'un (1) cycle de levage à charge maximale.

10. Spécifications techniques

Charge maximale d'utilisation	500 lbs.....	227 kgs
Longueur maximale hors tout.....	54,7 pouces	1390 mm
Longueur minimale hors tout.....	50,8 pouces	1290 mm
Hauteur maximale hors tout.....	83,8 pouces	2130 mm
Hauteur minimale hors tout.....	76,6 pouces	1945 mm
Hauteur à portée maximale.....	77,8 pouces	1975 mm
Portée à hauteur maximale.....	24,6 pouces	625 mm
Portée à hauteur minimale.....	24,6 pouces	625 mm
Portée maximale	24,6 pouces	625 mm
Rayon de braquage.....	61,0 pouces	1550 mm
Pieds ouverts - Largeur externe.....	53,5 pouces	1360 mm
Pieds ouverts - Largeur interne.....	48,4 pouces	1230 mm
Pieds fermés - Largeur externe.....	29,9 pouces	760 mm
Pieds fermés - Largeur interne.....	25,1 pouces	640 mm
Hauteur des pieds, hors tout.....	4,3 pouces	110 mm
Garde au sol.....	1,2 pouces	30 mm
Roulettes jumelées avant.....	4 pouces	100 mm
Roulettes arrière à freins.....	4 pouces	100 mm

*Portée = distance entre le centre de la barre d'écartement et l'avant du mât

Berceau à positionnement en 4 points (mesure en haut des goujons de placement)

REMARQUE: le berceau de positionnement à 4 points est monté en série sur le lève-personne Stature.

Hauteur maximum du berceau.....	63,3 pouces.....	1610 mm
Hauteur minimum du berceau (utile).....	12,2 pouces.....	310 mm

Barre d'écartement à 6 points (mesure en haut des goujons de placement)

REMARQUE: le berceau de positionnement à 6 points est monté en option sur le lève-personne Stature.

Hauteur maximale de la barre d'écartement.....	77,7 pouces	1975 mm
Hauteur minimale de la barre d'écartement.....	26,6 pouces	675 mm

Poids

Ensemble mât, base et flèche.....	142 lbs.....	64,5 kgs
Berceau à positionnement en 4 points.....	13,2 lbs.....	6 kg
Bloc d'alimentation	6,6 lbs.....	3 kgs
Total	162 lbs.....	73,5 kgs

Toutes les dimensions sont indiquées avec une tolérance de fabrication.

SPÉCIFICATIONS ÉLECTRIQUES

BATTERIES	12 volts, type plomb-acide, scellées rechargeables
CAPACITÉ DES BATTERIES.....	3,2 A / h
VALEURS NOMINALES D'ENTRÉE DU CHARGEUR	230 Vca, 50 / 60 Hz
VALEURS NOMINALES DE SORTIE DU CHARGEUR	27,4 / 29,0 Vcc à 0,8 A

Protection Contre les Décharges Électriques

CHARGEUR.....	CLASSE II
LÈVE-PERSONNE.....	SOURCE D'ALIMENTATION INTERNE

Degré de Protection Contre les Décharges

CHARGEUR.....	TYPE B
LÈVE-PERSONNE.....	TYPE B

ENVIRONNEMENT DE

FONCTIONNEMENT PRÉVU >+5° <+40°.

En dehors de ce type d'environnement, le fonctionnement et la sécurité de l'appareil peuvent être compromis.

CONDITIONS ENVIRONNEMENTALES

En dehors de ce type d'environnement le fonctionnement et la sécurité de l'appareil peuvent être compromis.

FONCTIONNEMENT

TEMPÉRATURE	5°C à 40°C
HUMIDITÉ RELATIVE.....	20% à 90% @ 30°C - sans condensation
PRESSION ATMOSPHÉRIQUE.....	700 à 1060 hPa

ENTREPOSAGE

TEMPÉRATURE	-10°C à +50°C
HUMIDITÉ RELATIVE.....	20% à 90% @ 30°C - sans condensation
PRESSION ATMOSPHÉRIQUE.....	700 à 1060 hPa

PROTECTION D'ENTRÉE

BOÎTIER DE COMMANDE	IPX4
ACTIONNEUR	IPX4
CHARGEUR NON TRANSPORTÉ	IPX5
BATTERIE	IPX5
COMBINÉ	IPX5

CYCLES DE SERVICE

ACTIONNEUR	10% (2 min./18 min.)
CHARGEUR	Environ 4 heures

ACOUSTIQUE

Niveau sonore pondéré A	60 dB (A)
-------------------------------	-----------

PRINCIPAUX SYMBOLES:

Vous trouverez les symboles suivants sur le chargeur, l'unité de commande et la batterie :



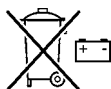
Ce produit est un dispositif médical conforme à la directive relative aux dispositifs médicaux 2017/745.



Equipement de type B, conformément à EN 60601-1



Equipement de Classe 2



Ne pas jeter la batterie avec les déchets ménagers. Les batteries doivent être éliminées conformément aux réglementations locales et nationales en vigueur.



Ne pas jeter les composants électroniques avec les déchets ménagers.



Utilisation à l'intérieur



ATTENTION, consultez les documents fournis.



Se référer aux instructions d'utilisation avant utilisation.

Numéro DEEE : WEE/GG0464RZ

11. Garantie

Joerns Healthcare possède un réseau d'agents de service et de distributeurs agréés qui se feront un plaisir de répondre à vos questions relatives à l'achat, la garantie, la réparation et l'entretien de votre matériel. Nous vous recommandons de confier la mise en service de nos produits à votre agent de service ou distributeur agréé.

Le programme de garantie est assuré par votre distributeur ou l'agent de service, il est donc important de conserver soigneusement ses coordonnées (nom, adresse et numéro de téléphone) afin de pouvoir le contacter en cas de problème. An cas de doute sur le lieu d'achat de votre lève-personne, Joerns Healthcare est en mesure d'identifier votre fournisseur à partir du numéro de série du lève-personne.

Toutes les réclamations au titre de la garantie sont conditionnées à l'usage et à l'entretien corrects et conformes au manuel d'utilisation livré avec chaque appareil. Tout endommagement résultant d'une utilisation dans des conditions inadaptées ou du non-respect des consignes d'entretien et d'utilisation n'est pas couvert par la garantie. La garantie ne porte pas atteinte à vos droits légaux.

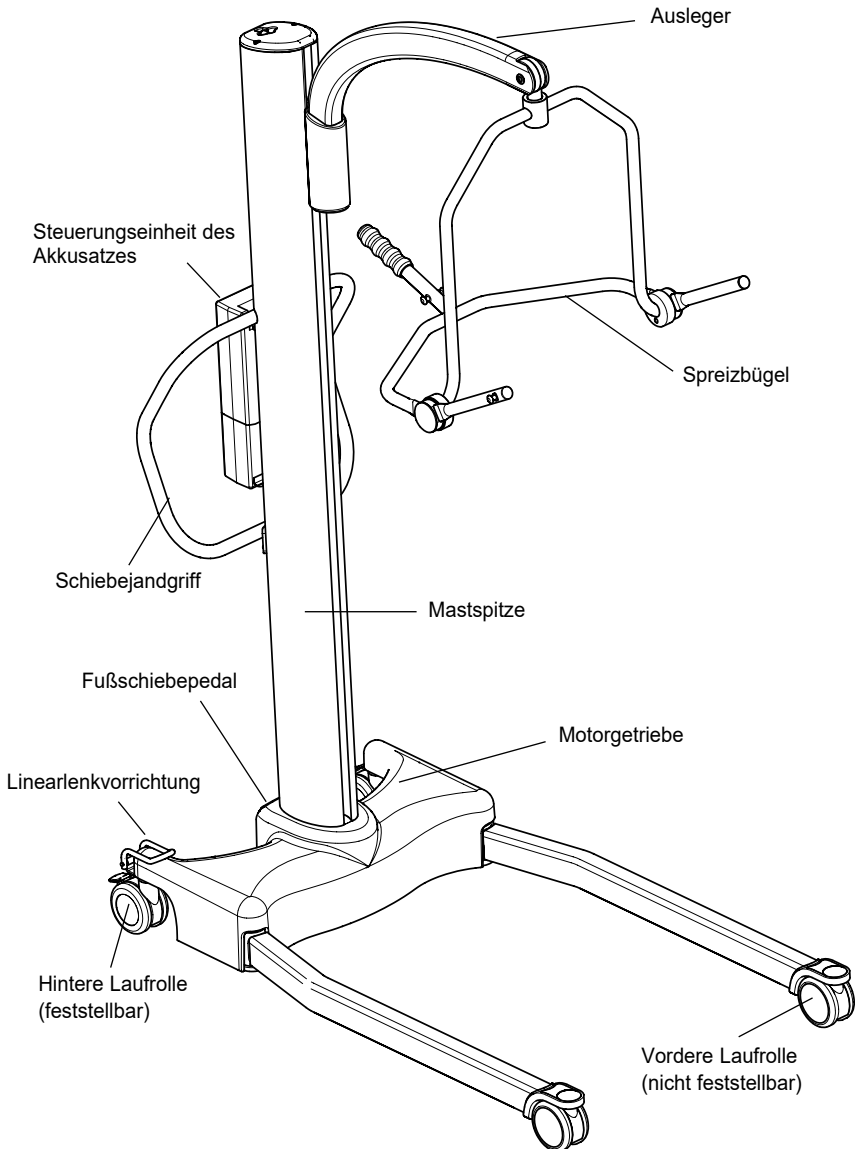
N'oubliez pas: Contactez votre agent de service ou distributeur agréé pour vos achats, réparations, entretiens et maintenances certifiées.

Votre distributeur:

Inhalt

1. Oxford Stature Patientenlifter	55
2. Einführung: Über Den Lifter.....	56
3. Montage und Inbetriebnahme	57
4. Sicherheitshinweise.....	61
5. Boîte de commande standard et commande manuelle	63
6. Betriebshinweise	64
7. Entfernen des Sechspunkt-Spreizbügels und des Vierpunktgestells.....	68
8. Aufladen der Akkueinheit	70
9. Wartungsplan und tägliche Prüfliste.....	72
10. Technische Daten.....	75
11. Garantie	78

1. Oxford Stature Patientenlifter



**VOR DEM EINSATZ IHRES STATURE LIFTERS MÜSSEN SIE DIESES
BENUTZERHANDBUCH GELESEN UND VERSTANDEN HABEN**

2. Einführung: Über den Lifter

Der Stature-Lifter wird vor der Auslieferung vollständig montiert, unter Last getestet und zertifiziert. Die Verpackung besteht aus einem festen, zweckmäßig geformten Versandkarton für den sicheren Transport des Lifters und wird sowohl für den heimischen Markt als auch für den Export verwendet. Mit jedem Lifter werden die zugehörigen Dokumente in einer beiliegenden Tasche geliefert, die für die spätere Verwendung sicher aufbewahrt werden müssen.

- BENUTZERHANDBUCH • PACKPRÜFLISTE • PRÜFZERTIFIKAT

Das PRÜFZERTIFIKAT ist ein wichtiges Dokument und ist für Ihre Versicherungsdokumentation erforderlich. Es ist sechs Monate lang gültig, und nach Ablauf dieser Zeit muss der Lifter gemäß Wartungsplan von einem fachkundigen, befugten Techniker inspiziert und gewartet werden.

⚠️ WARNUNG

Vor dem täglichen Gebrauchs Ihres Patientenlifters müssen die in der täglichen Checkliste in dieser Anleitung aufgeführten Überprüfungen durchgeführt werden.

Das CE-Zeichen: Der Oxford Stature trägt das CE-Zeichen und erfüllt die folgenden EU-Richtlinien:



- Richtlinie über Medizinprodukte (93/42/EWG)
- EMC-Verordnung (89/336/EWG)
- Niederspannungsrichtlinie (73/23/EWG)

Sachgemäße Anwendung des Lifters

Die bestimmungsgemäße Verwendung dieser Hebevorrichtung ist das sichere Heben und Umlagern einer Person von einer Ruhefläche zu einer anderen (wie etwa von einem Bett in einen Rollstuhl). Joerns Healthcare empfiehlt, für die Umlagerung von Patienten eine vollständige Risikoanalyse durchzuführen und nur über kurze Entfernung umzulagern.

Der Oxford Stature ist für Patienten in SITZENDER, SITZENDER/LIEGENDER und LIEGENDER Position geeignet.

Der Oxford Stature ist ein elektrischer Patientenlifter und ist dafür ausgelegt, die sichere Handhabung und das sichere Umlagern von Patienten sowohl für den Patienten als auch für die Pflegeperson zu unterstützen und zu fördern.

Beispiele für Gurte, die für dieses Gerät geeignet sind, werden wie folgt angegeben:

- Oxford Quickfit
- Oxford Access
- Oxford Quickfit Deluxe
- Oxford Long Seat
- Oxford Full Back
- Oxford Comfort
- Oxford Silkfit

⚠️ WARNUNG

Oxford Patientenlifter dürfen nur von entsprechend geschultem/sachkundigem Pflegepersonal bedient werden.

Erwartete Lebensdauer

Oxford Professional Patientenlifter sind für eine Lebensdauer von mindestens zehn (10) Jahren ausgelegt und geprüft, vorausgesetzt, die in diesem Handbuch beschriebenen Verfahren für Gebrauch und Wartung werden eingehalten. Bei einer Verwendung, die nicht den Angaben in dieser Anleitung entspricht, kann die Lebensdauer beeinträchtigt werden.

Meldung von schwerwiegenden Vorfällen

Wenn ein schwerwiegender Vorfall beim Gebrauch dieses Produkts auftritt, der sich auf den Patienten und/oder die Pflegeperson auswirkt, muss dieser dem Hersteller des Produkts oder dem autorisierten Fachhändler gemeldet werden. Sollte der Vorfall innerhalb der Europäischen Union (EU) auftreten, muss er auch die Behörde vor Ort gemeldet werden, die im jeweiligen Mitgliedstaat zuständig ist.

3. Montage und Inbetriebnahme

Kartoninhalt

Stellen Sie den Versandkarton in einem freien Arbeitsbereich auf und öffnen Sie ihn vorsichtig. Der Karton enthält folgende Teile:

- OXFORD STATURE LIFTER
- TASCHE MIT DOKUMENTEN
- HANDBEDIENUNG
- AKKUEINHEIT
- TISCHLADEGERÄT/STÄNDER/LADEKABEL
- BEFESTIGUNGS-KIT (INKL. SCHRAUBEN, INBUSSCHLÜSSEL, INNENSECHSKANT, ABDECKBLECH)

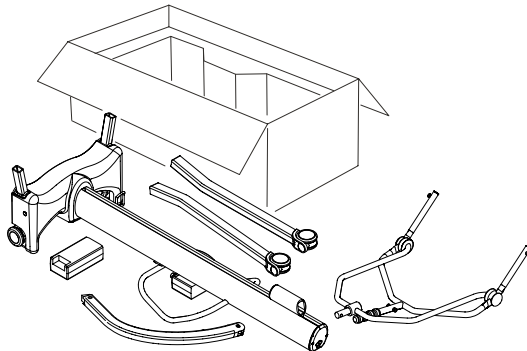
⚠ WARNUNG

Der Oxford Stature ist schwer und muss vorsichtig gehoben werden. Holen Sie sich Hilfe, um den Oxford Stature aus dem Karton zu heben.

Montage

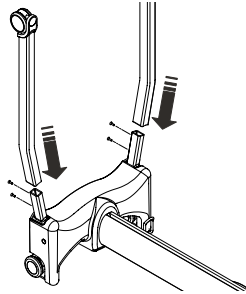
Nehmen Sie alle Teile aus dem Karton heraus, legen Sie sie auf den Boden und achten Sie darauf, dass die Oberfläche des Geräts nicht beschädigt wird.

1. Stellen Sie den Rahmen und den Mast (die miteinander verbunden sind) an einer freien Stelle auf. Der Mast und der Rahmen sollten auf dem Schiebehandgriff ruhen, wodurch sichergestellt wird, dass das Produkt beim Anschluss der Träger und des Auslegers stabil bleibt.



2. Befestigen Sie die Träger mit Hilfe der mitgelieferten 6-mm-Senkschrauben (zwei pro Träger) am Rahmen.

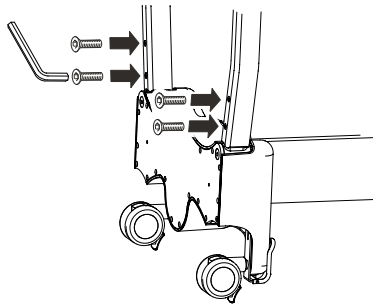
HINWEIS: Es gibt einen rechten und einen linken Träger, die wie unten gezeigt konfiguriert sind.



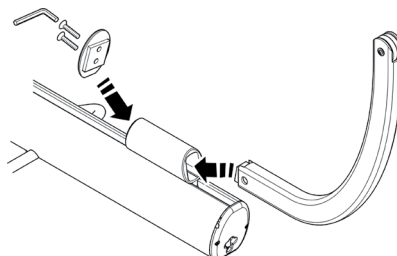
3. Ziehen Sie die auf beiden Seiten des Rahmens befindlichen 6-mm-Schrauben mit Hilfe des mitgelieferten Inbusschlüssels fest.

⚠ WARNUNG

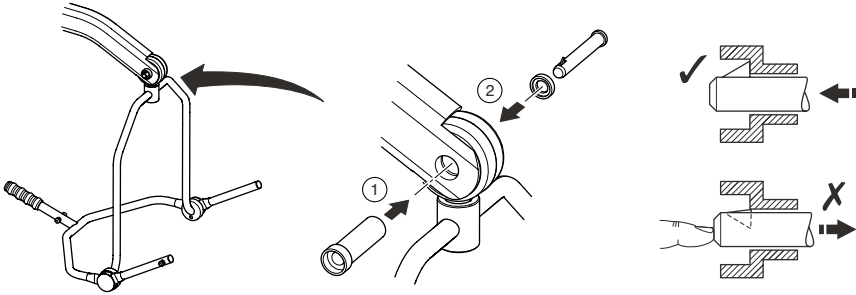
Die Schrauben müssen fest angezogen werden.



4. Setzen Sie den gekrümmten Auslegerabschnitt in den Auslegerschlitten ein. Befestigen Sie die Baugruppe, indem die beiden 6-mm-Senkschrauben wie unten gezeigt in das mit dem Befestigungs-Kit gelieferte blaue Abdeckblech eingesetzt und festgezogen werden.



5. Befestigen Sie das Vierpunktgestell durch Einsetzen des Spannstifts am Ausleger des Lifters. Vergewissern Sie sich, dass der Stift sicher montiert ist.

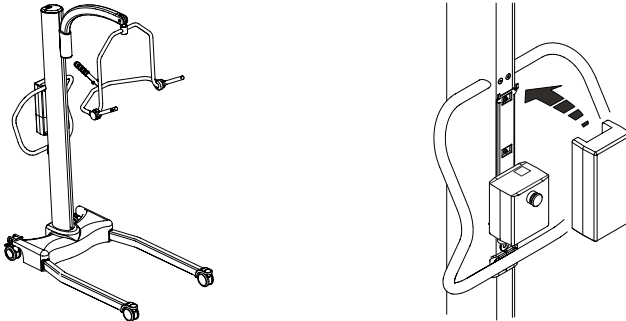


6. Stellen Sie den Stature aufrecht und ziehen Sie die Bremsen an.

⚠ WARNUNG

Beim Anheben des Stature mit Vorsicht vorgehen, da das Gerät schwer ist.

Stecken Sie den Stecker der Handbedienung in den Boden des am Mast angebrachten Steuerkastens ein; achten Sie auf die korrekte Ausrichtung zur Steckerbuchse. Setzen Sie die Akkueinheit in den Lifter ein und vergewissern Sie sich, dass der Verschluss, der die Einheit an ihrem Platz hält, vollständig und mit einem hörbaren Klickgeräusch einrastet.

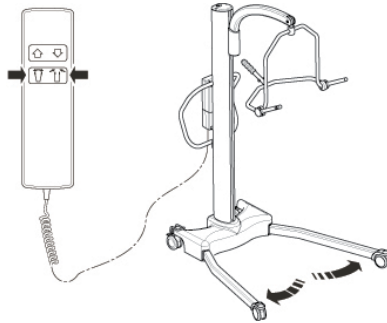


Demontage

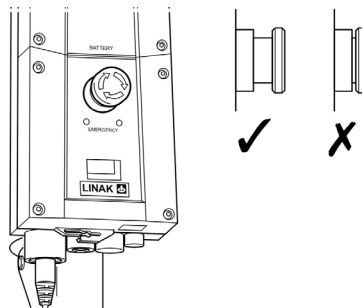
Der Lifter sollte nur bei Bedarf für Wartung, Reparatur oder Transport demontiert werden. Dabei sind die Montageanweisungen in umgekehrter Reihenfolge zu befolgen.

PRÜFEN SIE VOR DEM BETRIEB STETS DIE FOLGENDEN PUNKTE

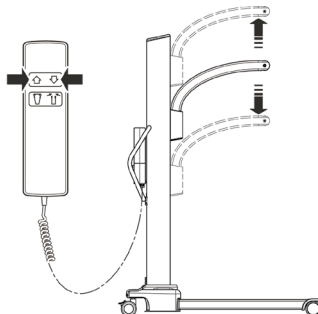
- Drücken Sie die Tasten ÖFFNEN und SCHLIESSEN auf der Handbedienung um zu bestätigen, dass sich die Träger des Lifters wie gewünscht öffnen und schließen lassen.



- Der rote Not-Aus-Knopf auf der Rückseite der Steuereinheit befindet sich in der Position OFF (Aus).



- Drücken Sie die Aufwärts- und Abwärts-Tasten auf der Handbedienung und vergewissern Sie sich, dass sich der Ausleger wie gewünscht hebt und senkt.



4. Sicherheitshinweise

Lesen und befolgen Sie die nachfolgend aufgeführten Sicherheitshinweise. Betrieb und Funktionsweise des Oxford Patientenlifters sind einfach und direkt. Wenn Sie diese grundlegenden Sicherheitsvorkehrungen beachten, ist der Hebebetrieb leicht und problemlos.

DER "STATURE" LIFTER DARF NUR VON PERSONEN VERWENDET WERDEN, DIE DIESES BENUTZERHANDBUCH GELESEN UND VERSTANDEN HABEN.

WARNUNG: Wichtige Sicherheitsinformationen über Gefahren, die schwere Verletzungen zur Folge haben können.

VORSICHT: Informationen zur Vermeidung von Beschädigungen am Produkt.

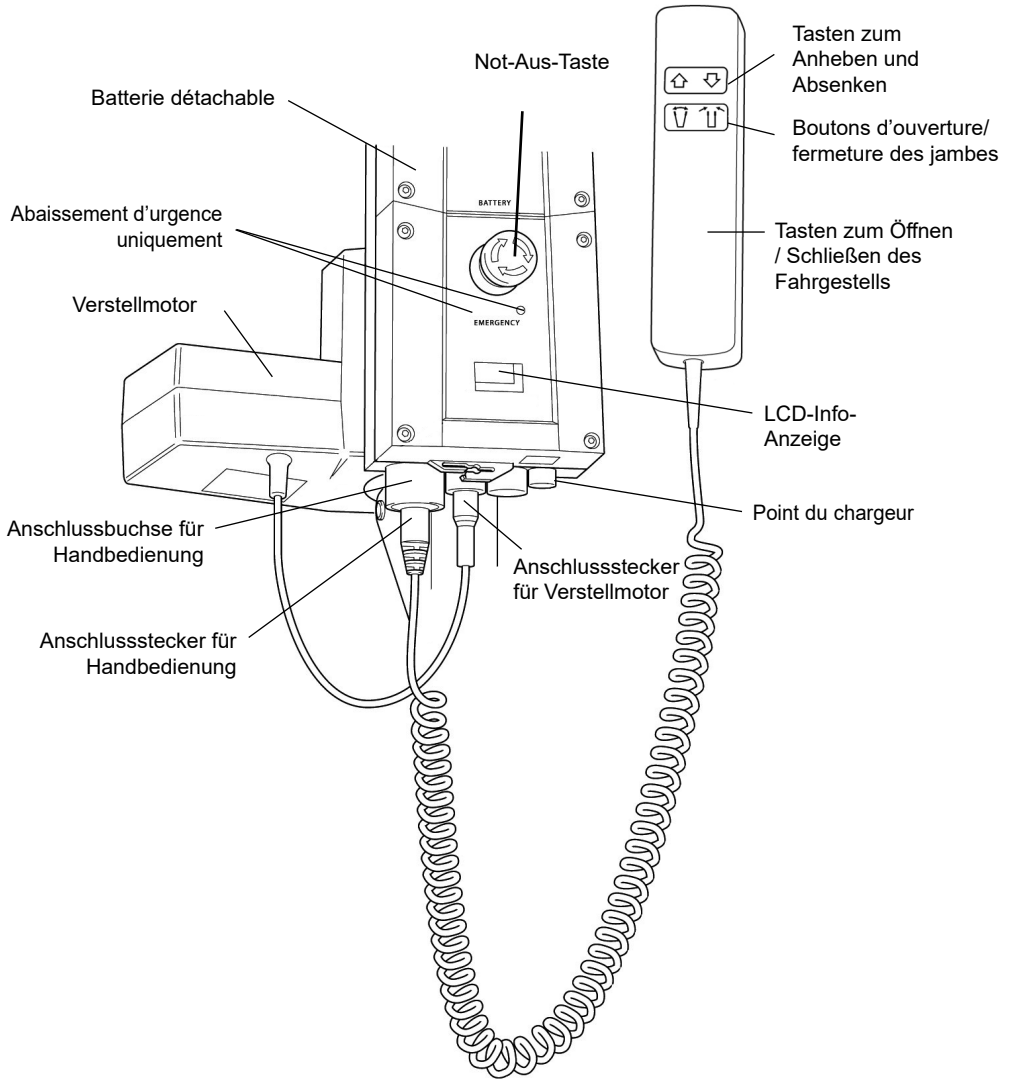
HINWEIS: Informationen, auf die Sie besonders achten sollten.

WARNUNG

- Oxford Patientenlifter dürfen nur von entsprechend geschultem/sachkundigem Pflegepersonal bedient werden.
- Vergewissern Sie sich STETS, dass die zulässige Arbeitsbelastung des Lifters für das Gewicht des Patienten ausreicht.
- Überschreiten Sie NICHT die zulässige Betriebslast des Lifters, da andernfalls ein Strombegrenzungsregler aktiviert wird, der die weitere Verwendung des Lifters verhindert.
- Planen Sie die mit dem Lifter auszuführenden Aufgaben STETS, bevor Sie beginnen.
- Gehen Sie vor JEDEM Einsatz des Lifters die TÄGLICHE PRÜFLISTE durch.
- Machen Sie sich vor JEDEM Heben von Patienten mit den Bedienungselementen und Sicherheitseinrichtungen des verwendeten Lifters vertraut.
- Verwenden Sie KEINE Gurte, die nicht ausdrücklich zur Verwendung mit diesem Lifter empfohlen werden.
- Prüfen Sie STETS, ob der Gurt für den speziellen Patienten geeignet ist und die korrekte Größe und Tragfähigkeit besitzt.
- Verwenden Sie NIEMALS Gurte, die ausgefranst oder beschädigt sind.
- Passen Sie die Gurte STETS gemäß den Anweisungen (Benutzerhandbuch) an.
- Achten Sie STETS darauf, dass sich die Riemengurte NICHT um die Träger des Lifters herum verfangen.
- Bedienen Sie den Lifter STETS gemäß den Anweisungen im Benutzerhandbuch.
- Bedienungs- oder Sicherheitselemente dürfen AUF KEINEN FALL entfernt oder außer Kraft gesetzt werden, um den Lifter-Betrieb zu vereinfachen.
- Heben Sie Patienten NIEMALS mit festgestellten Laufrollen an. Der Lifter muss sich stets auf den richtigen Schwerpunkt positionieren können.

- Manövrieren Sie den Lifter NIEMALS durch Schieben am Mast, Ausleger oder am Patienten.
- Manövrieren Sie den Lifter STETS mit Hilfe des am Mast angebrachten Handschiebegriffs. Ein Fußschiebepedal ist ebenfalls am Unterteil des Lifters angebracht.
- Senken Sie den Patienten vor Beginn des Transfers STETS auf die niedrigste bequeme Position.
- Schieben Sie den beladenen Lifter NICHT bei Geschwindigkeiten, die über einer langsamen Schrittgeschwindigkeit liegen (3 km/h, 0,8 m/s).
- Schieben Sie den Lifter NICHT über unebene oder raue Flächen, insbesondere wenn er beladen ist.
- Schieben/ziehen Sie den beladenen Lifter NICHT über Hindernisse am Boden.
- Betätigen Sie die Bedienungs-/Sicherheitselemente NIEMALS mit Gewalt. Alle Elemente sind leichtgängig und ohne größere Kraftanstrengung zu betätigen.
- Parken Sie den beladenen Lifter NICHT auf schiefen Ebenen.
- Verwenden Sie elektrische Lifter NICHT in Duschbädern.
- Laden Sie elektrische Lifter NICHT in Bädern oder Duschräumen auf.
- Heben Sie KEINE Patienten, wenn Sie nicht dafür ausgebildet und kompetent sind.
- IHR Lifter ist zum Heben von Patienten konzipiert worden. Er darf von Ihnen oder anderen für KEINE anderen Zwecke verwendet werden.
- Der Lifter darf in beladenem oder in unbeladenem Zustand KEINE Stufen herunter geschoben werden.
- Führen Sie den beladenen Lifter NICHT über schiefe Ebenen mit mehr als 1:12 (ca. 5 Grad) Gefälle.
- Führen Sie den Lifter NICHT ohne zweiten Helfer über schiefe Ebenen.
- Verwenden Sie ihn NICHT in einer feuchten oder korrosiven Umgebung wie z. B. an einem Schwimmbecken.
- Den Lifter bei Vollbeladung NICHT auf besonders dicken, weichen Teppichen verwenden.
- Lifter NIEMALS mit lockeren, verschlissenen oder fehlenden Teilen bzw. Befestigungselementen verwenden.

5. Boîte de commande standard et commande manuelle



6. Betriebshinweise

WARNUNG

Oxford Patientenlifter dürfen nur von entsprechend geschultem/sachkundigem Pflegepersonal bedient werden.

1. Einstellen der Fahrgestellbreite

Die Breite des Fahrgestells am Oxford Stature ist elektrisch einstellbar. Das Fahrgestell kann gespreizt werden, um Sessel oder Rollstühle zu umschließen. Für den Transfer durch enge Türen und Durchgänge sollte das Fahrgestell zusammengeführt werden.

Elektrisches Einstellen der Fahrgestellbreite - Drücken Sie auf der Handbedienung die entsprechenden Tasten. Das Fahrgestell wird festgestellt, wenn der Handbedienungsschalter losgelassen wird.

2. Laufrollen und Feststellbremsen

Der Lifter besitzt zwei feststellbare Laufrollen, die beim Abstellen benutzt werden. Beim Heben müssen die Laufrollen frei und nicht festgestellt sein. Der Lifter kann sich dann zum Schwerpunkt des Lifters hin bewegen. Wenn Sie die Bremse betätigen, kann der Patient beim Heben mit festgestellten Laufrollen möglicherweise zum Schwerpunkt schwenken, was beunruhigend oder unangenehm sein kann. An der hinteren Laufrolle ist eine Linearlenkvorrichtung angebracht, die, falls eingesetzt, die geradlinige Bewegung der Laufrolle erleichtert.

3. Heben und Senken des Auslegers

Die Bewegung des Auslegerschlittens erfolgt mit Hilfe eines leistungsstarken Motorgetriebes, das mit einer einfachen Handbedienung gesteuert wird. Auf der Handbedienung befinden sich zwei Taster mit den Richtungs Pfeilen AUFWÄRTS und ABWÄRTS. Das Motorgetriebe stoppt automatisch in der oberen bzw. unteren Endlage. Die Handbedienung ist an einer Buchse unten an der Steuereinheit angeschlossen. Sicherheitshinweis- Die Abwärtsbewegung des Auslegers stoppt, wenn der Lifter erkennt, dass der Patient auf ein Hindernis gestoßen ist.

4. Not-Aus-Taste

Die rote Not-Aus-Taste befindet sich auf der Vorderseite der Steuereinheit und wird durch Drücken ausgelöst. In diesem Fall wird die gesamte Stromzufuhr zum Lifter unterbrochen. Um den Not-Aus-Zustand aufzuheben, wird die Taste gegen den Uhrzeigersinn gedreht und losgelassen.

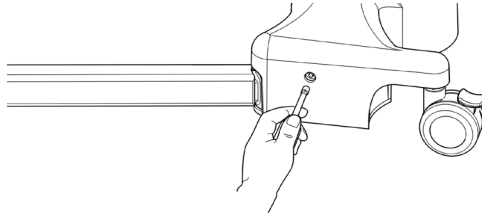
5. Elektrische Notabsenkung/-anhebung

Die Taste für die Notabsenkung (Abwärts) und -anhebung (Aufwärts) befindet sich auf der Vorderseite der Steuereinheit. Sie wird ausgelöst, indem Sie eine Kugelschreiberspitze auf die mit ↑↓ gekennzeichnete Taste drücken. Mit dieser Funktion kann der Ausleger jederzeit gehoben oder gesenkt werden, wenn die Handbedienung ausfällt.

6. Mechanische Notabsenkung

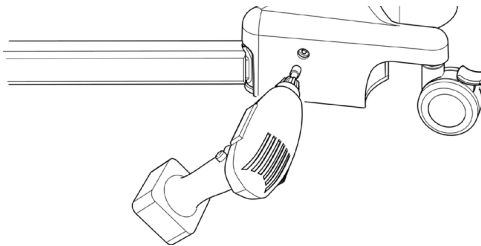
Für den Fall eines kompletten Stromausfalls ist der Stature-Lifter mit einem mechanischen Senkmechanismus ausgestattet. Diese Vorrichtung befindet sich auf der linken Seite des Lifterrahmens.

Der Senkmechanismus wird betätigt, indem ein 6-mm-Sechskant in die Öffnung und auf die Vorrichtung gesteckt wird; der Lifter wird dann durch Drehen im Uhrzeigersinn gehoben und durch Drehen im Gegenuhrzeigersinn abgesenkt. Das kann manuell mit einem Inbusschlüssel durchgeführt werden.



EMPFEHLUNG

Um den Ausleger schneller anzuheben oder abzusenken, wird empfohlen, einen 6-mm-Sechskant in Verbindung mit einem Adapter für Zoll-Antrieb und einen reversiblen elektrischen Bohrer zu verwenden. (Hinweis: nicht die Schlagbohreinstellung verwenden). Dadurch lässt sich die Geschwindigkeit erhöhen, mit der der Patient gefahrlos angehoben oder abgesenkt werden kann. Ein 6-mm-Sechskant befindet sich in der oberen Abdeckung auf der Mastspitze.



HINWEIS: Vor dem Anheben oder Absenken des Patienten müssen Sie sich vergewissern, dass Sie Ihren Bestimmungsort sorgfältig gewählt haben. Zum Beispiel zurück auf einen Stuhl oder ein Bett.

7. Akkus

Die Akkus werden durch einen LADEZUSTANDSALARM vor zu starker Entladung geschützt. Dieser Alarm ertönt bei Betätigung der Handbedienung, wenn die Akkus aufgeladen werden müssen. Der Alarmton wird nur dann ausgelöst, wenn die Handbedienung betätigt wird. **DIESER ALARM IST UNBEDINGT ZU BEACHTEN.** Führen Sie den Hebevorgang zu Ende und laden Sie die Akkus auf (siehe „Aufladen der Akkueinheit“).

8. Gurte

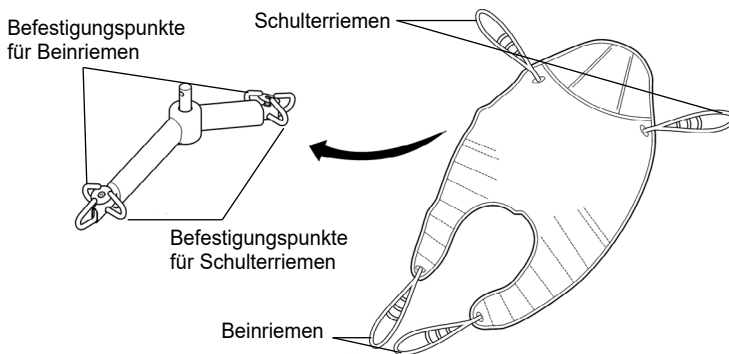
Der Oxford Stature bietet die Wahl zwischen einem Sechspunkt- Spreizbügel und einem Vierpunkt-Rahmen. Diese beiden Systeme verwenden verschiedene Befestigungsmethoden und Gurte.

Das Sechspunktsystem verwendet Gurte mit Gurtschlingen, die ein Einstellen der Position durch die Auswahl verschiedenfarbiger Schlingen ermöglichen. Das Vierpunktsystem verwendet das System der Securir3-Sicherheitsclips. Es wird durch Drehen des Vierpunkt-Rahmen eingestellt.

Schleifenriemengurte: Oxford Quickfit, Full Back, Quickfit Deluxe, Long Seat, Access und Silkfit.

Sicherheitsclipgurte: Oxford Comfort

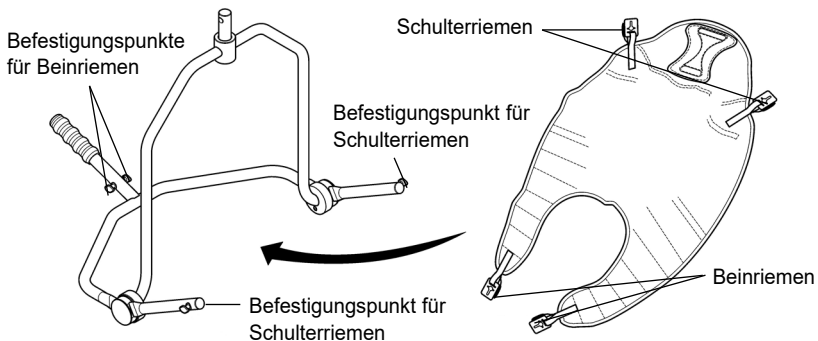
Das Sechspunktsystem wird an den Haken des Hehebügels mit Schleifenriemen befestigt (siehe unten). Für jeden Gurt werden spezielle Anweisungen mitgeliefert. Lesen Sie bitte vor Gebrauch die Anweisungen.



Sechspunkt-Spreizbügel

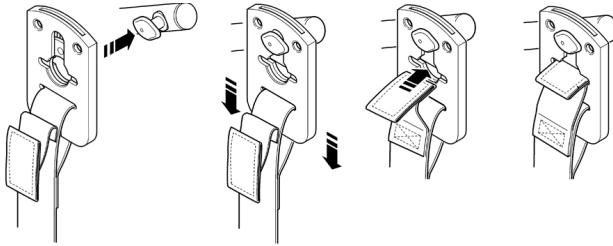
Beispiel für Sechspunkt-Spreizbügelgurt mit Befestigung durch Schleifen

Das Vierpunkt-Rahmengurt wird an den Ständer des Hehebügels mit einem Sicherheitsclipsystem befestigt (siehe unten). Für jeden Gurt werden spezielle Anweisungen mitgeliefert. Lesen Sie bitte vor Gebrauch die Anweisungen.



Vierpunkt-Rahmensystem

Beispiel für Vierpunkt-Rahmengurt mit Sicherheitsclipsystem.



Securi3 Schlingenbefestigungssystem. Installationsbeispiel.

HINWEIS: Für detaillierte Anleitungen zur Befestigung siehe die Bedienungsanleitung für die Gurte.

⚠ WARNUNG

Joerns Healthcare empfiehlt, die Gurte **regelmäßig** und **vor dem Gebrauch** auf **Ausfransen** oder andere Schäden zu prüfen. Verwenden Sie **KEINE** Gurte, die **abgenutzt** oder **beschädigt** sind.

⚠ WARNUNG

OXFORD EMPFIEHLT DIE VERWENDUNG VON ORIGINAL OXFORD-TEILEN. Bespannungen und Lifts von Oxford sind frei miteinander kombinierbar. **Länderspezifische Angaben** zur Bespannung und Kompatibilität finden Sie im Etikett der Bespannung oder wenden Sie sich an Ihren örtlichen Händler oder an Joerns Healthcare.

⚠ WARNUNG

Bitte beachten Sie die **maximale Tragfähigkeit** des Lifters. Die **Kapazität** der Gurte ist durch die **maximale Tragfähigkeit** des Lifters begrenzt.

7. Entfernen der Sechspunkt-Spreizbügel und Vierpunkt-Rahmen

DIESE ANWEISUNGEN BITTE GENAU BEFOLGEN

Ihr Stature-Patientenlifter kann sowohl mit einem Sechspunkt- wie auch einem Vierpunkt-system verwendet werden. Diese Systeme lassen sich mit Hilfe eines Schnellauslösestifts leicht entfernen. Dies lässt sich zwar schnell und einfach durchführen, Sie müssen jedoch die folgenden Sicherheitsanweisungen durchlesen, um sicherzustellen, dass der Spreizbügel/Rahmen vor Gebrauch sicher eingerastet ist.

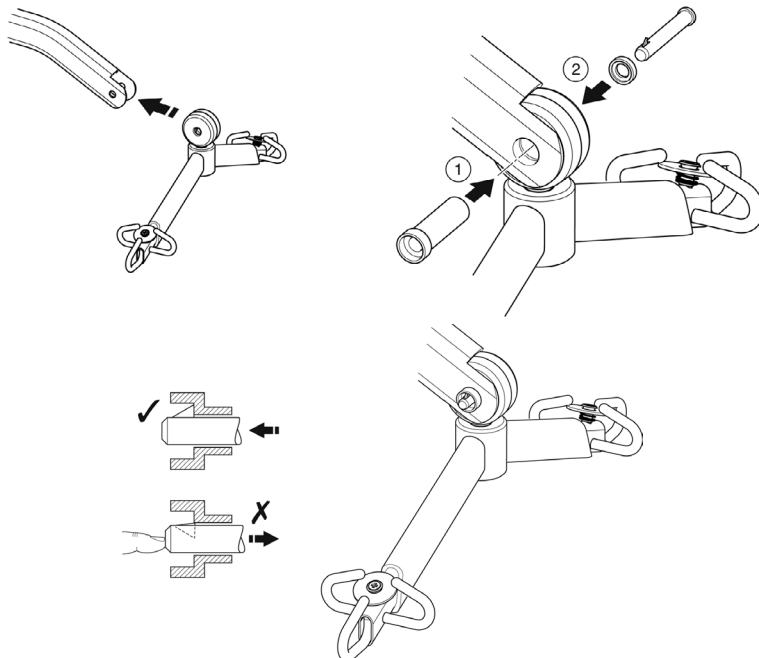
Befestigung

Zur Befestigung den Spreizbügel/Rahmen zum Auslegerschlitze hin anheben.

Stiftbuchse zur Unterstützung des Spreizbügel/Rahmen durch die Plastikendkappe einsetzen.

Nach korrekter Ausrichtung im Auslegerschlitze den Schnellauslösestift bis zum Einrasten wieder vollständig in die Buchse einsetzen. SIE MÜSSEN ÜBERPRÜFEN, DASS DER STIFT SICHER BEFESTIGT IST.

Dazu den Finger in das gezahnte Ende drücken. Bleibt der Stift in seiner Position, kann der Lifter sicher genutzt werden.

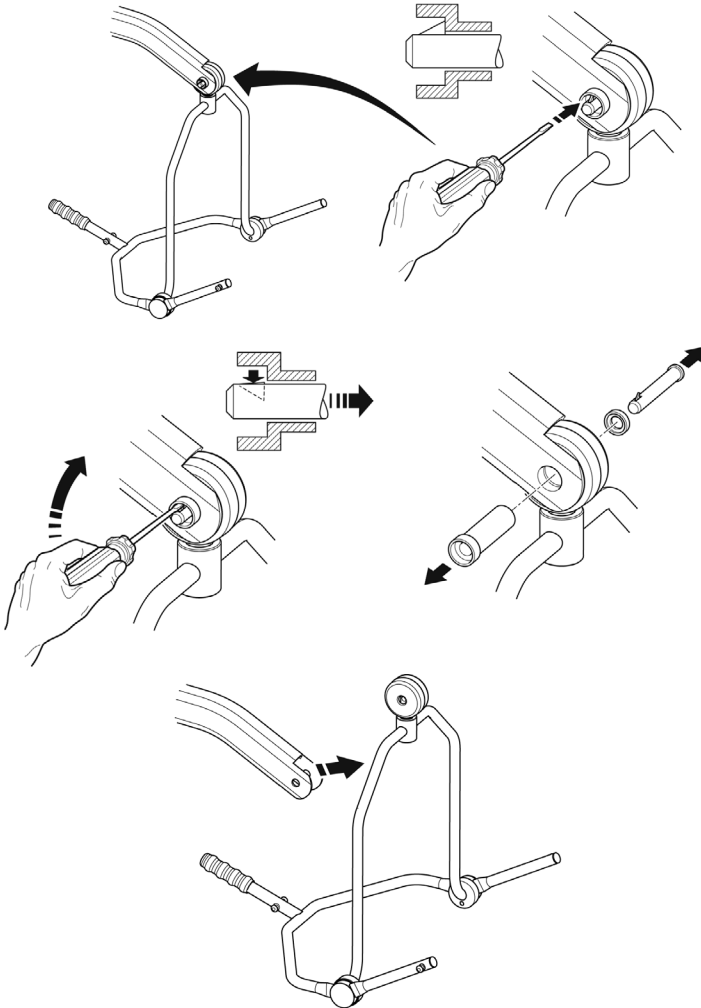


Entfernen

VORSICHT: Stellen Sie sicher, dass Sie das Gewicht der Querstange stützen/Rahmen, bevor Sie den Stift entfernen.

Um den Stift zu entfernen, die Steckfeder (mit Hilfe eines Flachschaubenziehers oder eines ähnlichen Werkzeugs) eindrücken und den Stift herausziehen.

Spreizbügel/Rahmen unterstützen und die Stiftbuchse in die entgegengesetzte Richtung ziehen, wobei sie vollständig vom Ausleger entfernt wird. Dadurch wird der Spreizbügel/Rahmen vollständig freigegeben.



8. Aufladen der Akkueinheit

Die Akkus befinden sich in der Akkueinheit und werden über eine externe Tischladeeinheit aufgeladen.

Wenn die Akkueinheit aufgeladen werden muss, wird sie vom Lifter entfernt und an eine externe Ladeeinheit angeschlossen.

Joerns Healthcare Ltd empfiehlt, eine Ersatz-Akkueinheit zu kaufen, sodass eine Einheit ständig geladen sein kann.

1. Entfernen Sie die Akkueinheit aus dem Lifter. Die Einheit ist mit einem einfachen Verschluss befestigt, der sich oben auf der Akkueinheit befindet. Wenn Sie den Verschluss anheben, wird die Akkueinheit freigegeben.
2. Schließen Sie die Akkueinheit an die Ladeeinheit an. Die Position und Befestigung der Akkueinheit an der Ladeeinheit ist dieselbe wie am Lifter.
3. Stecken Sie den Netzstromstecker des Ladegeräts in eine geeignete Netzsteckdose, und schalten Sie die Stromversorgung EIN.
4. Der Ladevorgang erfolgt automatisch, und die Akkus werden innerhalb acht bis zwölf Stunden vollständig aufgeladen. **Hinweis:** Auch wenn das Ladegerät längere Zeit angeschlossen bleibt, sind die Akkus vor Überladung geschützt.
 - a) Grünes Licht - Zeigt an, dass es eingeschaltet ist.
 - b) Gelbes Licht - Zeigt an, dass die Batterie geladen wird.
 - c) Batterie ist ganz aufgeladen, wenn das gelbe Licht ausgeht.

Hinweis: Der Ladevorgang dauert bis zu 4 Stunden.

Es wird empfohlen, die Batterie sofort nach dem Empfang aufzuladen.

5. Um den Lifter wieder in Betrieb zu nehmen, schalten Sie die Stromversorgung AUS und entfernen Sie die Akkueinheit vom Ladegerät. Setzen Sie die Akkueinheit in den Lifter ein und vergewissern Sie sich, dass der Verschluss, der die Einheit an ihrem Platz hält, vollständig eingerastet ist. Die Einheit muss mit einem klickenden Geräusch einrasten. Das Aufladen elektrischer Oxford Lifter ist einfach und direkt, aber es ist wichtig, die Ladeanweisungen genau zu befolgen. Beachten Sie bitte die folgenden Punkte, die Ihnen dabei helfen, Probleme mit entladenen Akkus zu vermeiden.

WARNUNG

- **Akku, Ladegerät, Handsteuerung und Steuereinheit dürfen NUR von autorisiertem Personal geöffnet werden. (Wenden Sie sich wegen Garantie und Reparaturen an Ihren Fachhändler).**
- **Die Akkupole/Pole des Ladegeräts NICHT berühren.**
- **Die Akkus IMMER ganz aufladen. Lassen Sie die Akkueinheit immer aufladen, wenn sie nicht benutzt wird. Wenn es für Sie einfacher ist, laden Sie sie jede Nacht auf. Das Ladegerät schützt die Akkueinheit vor dem Überladen.**
- **Die Akkus NIE ganz entladen lassen. Sobald das Alarmsignal ertönt, den Hebevorgang zu Ende führen und die Akkus aufladen.**

- Um eine mögliche Dauerschädigung des Akkus zu vermeiden, sollte der Akku aufgeladen werden, wenn das halb leere Akkusymbol auf dem Display angezeigt wird.
- Den Akku **IMMER** in regelmäßigen Abständen nachladen, wenn er für längere Zeit nicht verwendet wird.
- **STETS** darauf achten, dass die Netzspannung zum Ladegerät ausgeschaltet ist, bevor das Akkupaket angeschlossen oder abgenommen wird.
- Das Akkupaket **NIE** am Ladegerät angeschlossen lassen, wenn die Netzspannung zum Ladegerät ausgeschaltet ist.
- **DAS LADEGERÄT NICHT** eingeschaltet lassen, wenn der Akku nicht angeschlossen ist.
- **DEN PATIENTENLIFTER WÄHREND DES LADEVORGANGS NICHT** benutzen.
- **ÜBERPRÜFEN** Sie vor dem Verfahren, dass der Patientenaufzug nicht aufgeladen wird, da der elektrische Anschluss sonst dadurch beschädigt werden kann.
- **DAS LADEGERÄT KEINESFALLS** durch Ziehen am Kabel ausstecken.
- **ACHTEN SIE DARAUF**, dass Sie nicht über das Ladekabel stolpern.
- **LADEN SIE ELEKTRISCHE PATIENTENLIFTER NICHT** in Bädern oder Duschräumen auf.

9. Wartungsplan und Tägliche Prüfliste

Alle Oxford Produkte sind so konzipiert, dass sie nur ein Minimum an Wartung benötigen. Einige Sicherheitsprüfungen und -prozeduren sind jedoch unerlässlich. Im Folgenden sind die TÄGLICH auszuführenden Aufgaben aufgeführt. Tägliche Überprüfungen und alle sechs Monate Wartung, Inspektion und Prüfung gewährleisten, dass ein Lifter in optimalem, sicherem Funktionszustand bleibt. Eine Liste der Ersatzteile erhalten Sie auf Anfrage.

Die BELASTUNGSPRÜFUNG und -zertifizierung sollte nur von qualifiziertem Personal oder von autorisierten Servicevertretern / Händlern durchgeführt werden.

TÄGLICHE PRÜFLISTE: Joerns Healthcare empfiehlt dringend, dass der Lifter täglich vor der Benutzung auf folgende Punkte überprüft wird:

- VERGEWISSERN SIE SICH, dass sich der Patientenlifter frei auf den Laufrollen bewegen kann.
- VERGEWISSERN SIE SICH, dass sich die 6-Punkt-Halterung ungehindert drehen und schwenken lässt.
- VERGEWISSERN SIE SICH, dass die 6-Punkt-Halterung sicher am Ausleger befestigt ist.
- UNTERSUCHEN Sie die Gurthaken/Clips an der 6-Punkt-Halterung auf Schäden und übermäßige Abnutzung.
- VERGEWISSERN SIE SICH, dass sich das Fahrgestell ordnungsgemäß öffnen und schließen und in allen geöffneten und geschlossenen Positionen arretieren lässt.
- BETÄTIGEN SIE die Handbedienung, um sicherzustellen, dass sich der Ausleger einwandfrei heben und senken lässt.
- VERGEWISSERN SIE SICH, dass auf der Anzeige des Steuerkastens kein Schraubenschlüssel-Symbol aufleuchtet und beim Drücken der Tasten Anheben/Absenken kein akustisches Signal ertönt.
- ÜBERPRÜFEN SIE, dass die Not-Aus-Taste funktioniert.
- ÜBERPRÜFEN Sie die Gurte auf Ausfransen oder andere Schäden. Beschädigte oder verschlissene Gurte NICHT verwenden.
- ÜBERPRÜFEN SIE, dass am Patientenlifter kein Alarm ertönt, wenn die Handbedienung betätigt wird. Wenn der Alarm ertönt, den Patientenlifter NICHT benutzen und sofort aufladen.
- VERGEWISSERN SIE SICH, dass die Verbindungsstellen zum Verstellmotor gesichert sind.
- Führen Sie eine SICHTPRÜFUNG aller Befestigungsteile und Befestigungen durch und vergewissern Sie sich vor der Benutzung, dass sie alle gesichert sind.

Wartung, Inspektion und Prüfung

Joerns Healthcare empfiehlt eine regelmäßige gründliche Inspektion und Prüfung des Oxford Stature Lifters und der Zubehörteile (Gurte, Waagen usw.). Die Häufigkeit der Inspektionen ist je nach Einsatzort unterschiedlich, d.h., Sie müssen sich bei Ihrem Händler oder bei der zuständigen Behörde vor Ort erkundigen, wie oft eine Inspektion durchgeführt werden muss. Die Untersuchung und der Test müssen nach den in diesem Handbuch angegebenen Empfehlungen und Verfahrenswesen durchgeführt werden. Joerns Healthcare empfiehlt, dass Wartung, Inspektion und zertifizierte Prüfungen nur von autorisierten Servicevertretern / Händlern durchgeführt werden.

HINWEIS: Diese Empfehlungen entsprechen den Vorschriften für Großbritannien und Nordirland gemäß No2307 Health and Safety: The Lifting Operations and Lifting Equipment Regulations 1998 (Vorschriften zur Arbeitssicherheit für Hebevorgänge und Lifter). Außerhalb von Großbritannien und Nordirland gelten die Vorschriften des jeweiligen Landes.

Reinigung

Verwenden Sie zum Reinigen herkömmliche Seife und Wasser und/oder Desinfektionsmittel für harte Oberflächen. Starke chemische Reinigungsmittel oder Scheuermittel sollten nicht verwendet werden, da diese die Oberfläche des Lifters angreifen. Setzen Sie die elektrischen Teile keiner Feuchtigkeit aus. Nach der Reinigung sollte das Gerät gründlich getrocknet werden.

Entsorgung am Ende der Lebensdauer

Akku: Alle Akkus im Produkt und im eventuell vorhandenen Zubehör müssen separat dem Recycling zugeführt werden. Akkus sind gemäß den vor Ort oder landesweit geltenden Vorschriften zu entsorgen.

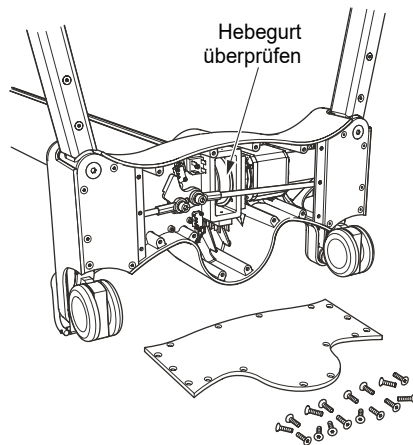
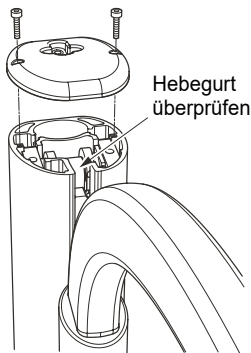
Gurte: Gurte und dazugehörige Materialien und Zubehör sind gemäß den vor Ort oder landesweit geltenden Vorschriften als brennbare Abfälle zu sortieren.

***DIESE PRÜFUNGEN SOLLTEN UMFASSEN:**

	Anfangs	Vor dem Gebrauch	Wartungsintervalle
1. SPREIZBÜGEL/RAHMEN: Vergewissern Sie sich, dass der Spreizbügel/Rahmen frei dreh- und schwenkbar ist. Prüfen Sie den zentralen Stift auf Verschleiß. Prüfen Sie, dass der Stift fest mit dem Ausleger verbunden ist.	✓	✓	✓
2. AUSLEGER: Prüfen Sie die Verbindung von Ausleger und Mast. Stellen Sie sicher, dass der Ausleger sich nur geringfügig bewegen.	✓	✓	✓
3. MAST: Prüfen Sie, dass der Mast fest mit dem Rahmen verbunden ist.	✓	✓	✓
4. MOTORGETRIEBE: Das Motorgetriebe muss, abgesehen vom Prüfen auf korrekten Betrieb und außergewöhnliche Geräusche, nicht gewartet werden.			✓
5. AKKUEINHEIT: Prüfen Sie die Funktion der Not-Aus-Taste und der Notabsenkung.	✓	✓	
6. AKKUS: Die Akkus befinden sich in der Akkueinheit und müssen, abgesehen vom regelmäßigen Aufladen (siehe „Aufladen der Akkueinheit“), nicht gewartet werden. Achten Sie darauf, dass die Anschlüsse sauber bleiben. Vergewissern Sie sich, dass die Batteriehalterung sicher befestigt und nicht beschädigt ist.			✓
7. EINSTELLEN DER FAHRGESTELLBREITE: Prüfen Sie, dass das Fahrgestell nach innen und nach außen in vollem Umfang verstellt werden kann.	✓	✓	✓
8. LAUFROLLEN: Prüfen Sie, dass die Laufrollen fest mit dem Fahrgestell verbunden sind. Vergewissern Sie sich, dass die Laufrollen frei beweglich sind.	✓	✓	✓
9. REINIGUNG: Verwenden Sie zum Reinigen ein sauberes Tuch, Seife und Wasser und/oder Desinfektionsmittel für harte Oberflächen. Starke hemische Reinigungsmittel oder Scheuermittel sollten nicht verwendet werden, da diese die Oberfläche des Lifters angreifen. Vermeiden Sie übermäßige Benetzung, besonders in der Nähe der Elektronik und der Öffnung zum Unterteil des Lifters. Wir empfehlen, das Tuch in die Reinigungslösung einzutauchen, überschüssige Flüssigkeit auszudrücken und die Oberflächen des Lifters mit dem ausgedrückten Tuch abzuwischen. Nach der Reinigung sollte das Gerät gründlich getrocknet werden.		✓	✓
10. BELASTUNGSPRÜFUNG: Die Belastungsprüfung muss gemäß den Prüfverfahren des Herstellers und der in EN ISO 10535:2006 - Anhang B - Periodische Überwachung B1 angegebenen Vorschrift durchgeführt werden - siehe unten für einen Auszug. Es wird dringend empfohlen, die Prüfung von einem autorisierten Fachhändler durchführen zu lassen.			✓
11. FAHRGESTELL UND ROLLEN: Vergewissern Sie sich, dass das Fahrgestell auf glattem, ebenem Boden steht. (alle vier Rollen haben Bodenkontakt)	✓	✓	✓
12. GURTE: Prüfen Sie auf Verschleiß und Ausfransen.	✓	✓	✓
13. SCHMIERUNG: Schmieren Sie alle Drehgelenke, einschließlich Mast- und Auslegeranschlüsse, Pedal, Spreizbügelgelenk (nur nach Bedarf).			✓
14. HANDBEDIENUNG: Vergewissern Sie sich, dass sie vollständig in die Steuerung gesteckt ist.	✓	✓	

***DIESE PRÜFUNGEN SOLLTEN UMFASSEN:**

	Anfangs	Vor dem Gebrauch	Wartungsintervalle
15. SCHNELLVERSCHLUSSSTIFT: Stellen Sie vor dem Heben sicher, dass der Stift fest sitzt, indem Sie auf das spitze Ende drücken.			✓
16. BEFESTIGUNGSTEILE: Überprüfen Sie alle Muttern, Schrauben, Bolzen und Verbindungselemente auf übermäßige Abnutzung und festen Sitz. Bei Bedarf auswechseln.	✓	✓	
17. HEBEGURT: Ihr Hebegurt muss zu den Wartungsintervallen auf Anzeichen von Verschleiß überprüft werden (idealerweise alle sechs Monate). Um den Gurt zu inspizieren, wird empfohlen, die Kappe oben am Mast abzunehmen und den Lifter in beide Richtungen zu bewegen, während der Zustand des Gurtes überprüft wird. Falls Sie Verschleiß (Ausfransen, Faltenbildung oder ähnliches) feststellen, wird empfohlen, den Gurt von einem autorisierten Joerns Healthcare Händler oder einem qualifizierten Wartungstechniker UNVERZÜGLICH austauschen zu lassen. Einzelheiten bezüglich der Wartung und des Austausches des Gurtes sind in der ausführlichen Wartungsanleitung enthalten, die auf Anfrage erhältlich ist. (Siehe weiter unten bezüglich Einzelheiten.)		✓	✓



EN ISO 10535:2006

Anhang B

(Informativ)

Periodische Überwachung

B. 1 Die periodische Überwachung des Patientenhifters sollte in den vom Hersteller empfohlenen Intervallen durchgeführt werden, jedoch mindestens einmal im Jahr. Die periodische Überwachung bedeutet eine Sichtprüfung (vor allem des Tragwerks und des Hubwerks mit Anbaugeräten, Bremsen, Bedienelementen, Sicherheitsvorrichtungen und Personenstützsystemen des Patientenhifters) sowie alle erforderlichen Funktionsprüfungen und Wartungsmaßnahmen, z.B. Einstellen der Bremsen, Anziehen von Befestigungsteilen.

Bei allen Überwachungen ist eine Prüfung der maximalen Tragfähigkeit durch mindestens einen (1) Hubvorgang mit Höchstlast durchzuführen.

10. Technische Daten

Zulässige Belastung	500 lbs.....	227 kgs
Maximale Gesamtlänge.....	54,7 Zoll.....	1390 mm
Minimale Gesamtlänge.....	50,8 Zoll.....	1290 mm
Maximale Gesamthöhe	83,8 Zoll.....	2130 mm
Minimale Gesamthöhe	76,6 Zoll.....	1945 mm
Höhe bei maximaler Reichweite.....	77,8 Zoll.....	1975 mm
Reichweite bei maximaler Höhe.....	24,6 Zoll.....	625 mm
Reichweite bei minimaler Höhe.....	24,6 Zoll.....	625 mm
Maximale Reichweite	24,6 Zoll.....	625 mm
Wenderadius	61,0 Zoll.....	1550 mm
Fahrgestell, gespreizt - Äußere Breite	53,5 Zoll.....	1360 mm
Fahrgestell, gespreizt - Innere Breite.....	48,4 Zoll.....	1230 mm
Fahrgestell, geschlossen - Äußere Breite.....	29,9 Zoll.....	760 mm
Fahrgestell, geschlossen - Innere Breite.....	25,1 Zoll.....	640 mm
Gesamthöhe des Fahrgestells	4,3 Zoll.....	110 mm
Bodenabstand	1,2 Zoll.....	30 mm
Doppelaufrollen vorne	4 Zoll	100 mm
Laufrollen mit Feststellbremse hinten	4 Zoll	100 mm

*Reichweite = Mitte Spreizbügel bis Vorderseite Mast

Vierpunktgestell (Messung bis zum oberen Ende der Passstifte)

HINWEIS: Das Vierpunktgestell gehört zur standardmäßigen Ausstattung des Stature-Lifters.

Max. Höhe des Gestells.....	63,3 Zoll.....	1610 mm
Min. Höhe des Gestells (nutzbar).....	12,2 Zoll.....	310 mm

Sechspunktspreizbügel (Messung bis zum oberen Ende der Passstifte)

HINWEIS: Das Sechspunktgestell ist wahlweise für den Stature-Lifter erhältlich.

Spreizbügel, maximale Höhe	77,7 Zoll.....	1975 mm
Spreizbügel, minimale Höhe	26,6 Zoll.....	675 mm

Gewicht

Mast, Fahrgestell, Ausleger.....	142 lbs.....	64,5 kgs
Vierpunktgestell	13,2 lbs.....	6 kgs
Akkueinheit.....	6,6 lbs.....	3 kgs
Gesamt.....	162 lbs.....	73,5 kgs

Fertigungstoleranzen gelten für alle Maße.

ANGABEN ZUR ELEKTRIK

AKKUS	24 V, aufladbar, geschlossene Blei/Säure-Akkus
AKKUKAPAZITÄT	3,2 Ah
EINGANGSSPANNUNG DES LADEGERÄTS (NENNWERT)	230VAC 50/60Hz
AUSGANGSSPANNUNG DES LADEGERÄTS (NENNWERT)	27,4/29,0 VDC@0,8A

SCHUTZ GEGEN STROMSCHLAG

LADEGERÄT	KLASSE II
PATIENTENLIFTER	INTERNE STROMQUELLE

STOSSFESTIGKEIT

LADEGERÄT	TYP B
PATIENTENLIFTER	TYP B

UMGEBUNGSBEDINGUNGEN

Außerhalb dieser Umgebungsbedingungen können Funktionsfähigkeit und Sicherheit unter Umständen beeinträchtigt werden.

BETRIEB

TEMPERATUR	>+5°C <+40°C
LUFTFEUCHTIGKEIT	20% - 90% @ 30°C (nicht kondensierend)
LUFTDRUCK	700 - 1060 hpa

LAGERUNG

TEMPERATUR	>-10°C <+50°C
LUFTFEUCHTIGKEIT	20% - 90% @ 30°C (nicht kondensierend)
LUFTDRUCK	700 - 1060 hpa

IP SCHUTZKLASSEN

STEUERKASTEN	IPX4
VERSTELLMOTOR	IPX4
EXTERNER LADEGERÄT	IPX5
BATTERIE	IPX5
HANDBEDIENUNG	IPX5

EINSCHALTDAUER

VERSTELLMOTOR	10% (2 Min. / 18 Min.)
LADEGERÄT	4 Stunden (ca.)

AKUSTIK

A-BEWERTETER SCHALLDRUCKPEGEL	64dB
-------------------------------------	------

WICHTIGE SYMBOLE:

Die folgenden Symbole werden am Ladegerät, am Steuerkasten und am Akku verwendet:



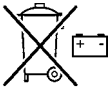
Bei diesem Produkt handelt es sich um ein Medizinprodukt gemäß der EU-Verordnung 2017/745 über Medizinprodukte.



Medizinisches elektrisches Gerät, Typ B, gemäß EN 60601-1



Geräte der Klasse 2



Die Akkus dürfen nicht als Hausmüll entsorgt werden. Akkus sind gemäß den vor Ort oder landesweit geltenden Vorschriften zu entsorgen.



Die elektronischen Bauteile dürfen nicht als Hausmüll entsorgt werden.



Für den Gebrauch im Haus



ACHTUNG, siehe die beigefügten Unterlagen



Lesen Sie vor der Verwendung die Bedienungsanleitung

WEEE-Registriernummer der Herstellers: WEE/GG0464RZ

11. Garantie

Joerns Healthcare verfügt über ein Netz von autorisierten Fachhändlern und Kundendienstvertretungen, die Ihre Anfragen in Bezug auf Kauf, Garantie, Reparaturen und Wartung gerne beantworten. Wir empfehlen, die Inbetriebnahme unserer Produkte von Ihrem autorisierten Fachhändler oder Ihrer Kundendienstvertretung durchführen zu lassen.

Der Fachhändler oder die Kundendienstvertretung sind für das Garantieprogramm zuständig, deshalb ist es wichtig, dass Sie Namen, Adresse und Telefonnummer notieren, damit Sie sich an diesen bzw. diese wenden können, falls ein Problem auftritt. Wenn Sie sich nicht sicher sind, wo Ihr Patientenlifter gekauft wurde, teilen Sie Joerns Healthcare die Seriennummer des Patientenlifters mit und wir finden den Lieferanten für Sie.

Alle Garantieansprüche sind von der ordnungsgemäßen Benutzung und Wartung gemäß dem Benutzerhandbuch abhängig, das mit allen Patientenliftern mitgeliefert wird. Die Garantie gilt nicht für Schäden, die durch die Benutzung in ungeeigneten Umgebungsbedingungen oder dadurch verursacht wurden, dass die Wartung nicht gemäß dem Benutzer- und Wartungshandbuch durchgeführt wurde. Die Ihnen zustehenden gesetzlichen Rechte bleiben davon unberührt.

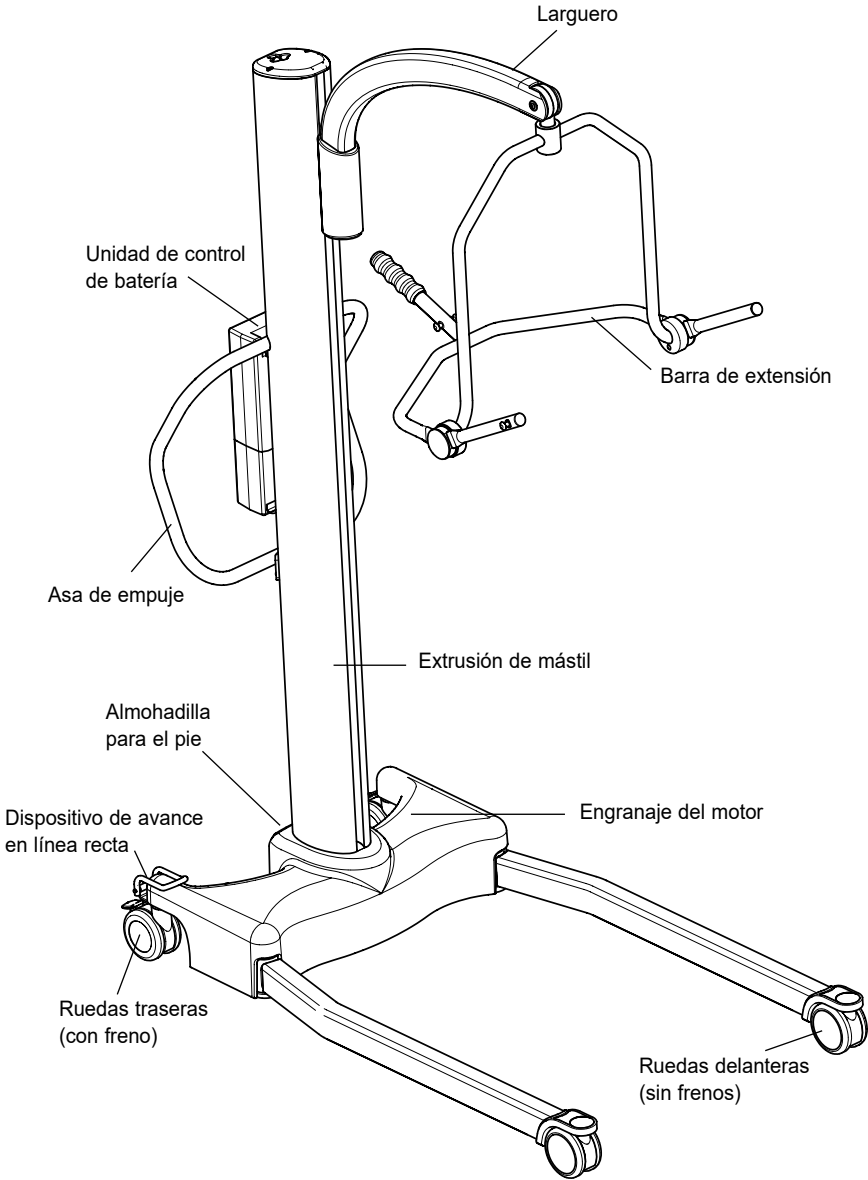
DENKEN SIE DARAN: Wenden Sie sich für Käufe, Reparaturen, Wartung und zertifizierte Wartung immer an Ihren autorisierten Fachhändler oder an Ihre Kundendienstvertretung.

Ihr Vertriebspartner:

Índice

1. El elevador de pacientes Oxford Stature	81
2. Introducción: Generalidades sobre el elevador.....	82
3. Instrucciones de montaje y encargo	83
4. Precauciones de seguridad.....	87
5. Caja de control estándar y control de mano	89
6. Instrucciones de funcionamiento.....	90
7. Remoción de los sistemas de espaciador de 6 puntos y bastidor de 4 puntos	94
8. Instrucciones para la carga	96
9. Plan de mantenimiento y lista de comprobación diaria.....	98
10. Especificaciones Técnicas	101
11. Garantía.....	104

1. El elevador de pacientes Oxford Stature



ANTES DE USAR EL ELEVADOR STATURE ASEGÚRESE DE LEER Y COMPRENDER LAS INSTRUCCIONES CONTENIDAS EN ESTE MANUAL

2. Introducción: Generalidades sobre el elevador

Cada elevador Stature está completamente montado, y ha sido verificado y certificado antes de ser embalado y enviado.

El embalaje consiste en una caja de cartón resistente, hecha a medida, que se utiliza tanto para los envíos nacionales como para las exportaciones para asegurar que el equipo llegue intacto a su destino. Con cada elevador se envía una bolsa con varios documentos; esta bolsa debe conservarse para consultas futuras.

- MANUAL DEL USUARIO • LISTA DE COMPROBACIÓN DE EMBALAJE • CERTIFICADO DE VERIFICACIÓN

El CERTIFICADO DE PRUEBA es un documento importante y será necesario para sus registros de seguro. Tiene una validez de seis meses. Después de haber vencido este plazo deberá verificarse el elevador y realizarle el mantenimiento por un ingeniero cualificado autorizado según el programa de mantenimiento.

⚠ ADVERTENCIA

Antes de cada uso diario del elevador, debe llevar a cabo la inspección detallada en la lista de verificaciones diarias, presente en este manual.

La marca CE: El Oxford Stature lleva la marca CE y cumple con las siguientes directivas de la CE:



- Directiva de Dispositivos Médicos (93/42/EEC)
- Directiva EMC (89/336/EEC)
- Directiva de bajo voltaje (73/23/EEC)

Declaración de uso al que está destinado

El uso previsto para este dispositivo es la elevación y transferencia seguras de un individuo de una superficie de descanso a otra (como de una cama a una silla de ruedas, por ejemplo). Joerns Healthcare recomienda que la transferencia de pacientes se lleve a cabo posteriormente a una evaluación de riesgos, y de manera segura, en una breve distancia solamente.

El sistema Oxford Presence es un dispositivo de elevación de pacientes accionado de manera eléctrica, diseñado para apoyar y promover el manejo y transferencia seguros del paciente, tanto para el individuo que está siendo transportado como para la persona a cargo.

El Oxford Presence es adecuado para pacientes en las siguientes posiciones: SENTADO, SENTADO/REPOSTADO y REPOSTADO. A continuación, presentamos una lista de eslingas compatibles con este dispositivo:

- Oxford Quickfit
- Oxford Access
- Oxford Quickfit Deluxe
- Oxford Long Seat
- Oxford Full Back
- Oxford Comfort
- Oxford Silkfit

⚠ ADVERTENCIA

Solamente personal de salud capacitado y competente debería operar los elevadores de pacientes Oxford.

Vida útil estipulada previa al mantenimiento:

Los elevadores profesionales Oxford están diseñados y evaluados para durar un período mínimo de diez (10) años previamente a efectuarse algún tipo de mantenimiento, dependiendo del uso y cumplimiento con las tareas de mantenimiento establecidas en este manual. El uso diferente al establecido en estas instrucciones, podría comprometer la vida útil del producto.

Notificación de incidentes graves

En caso de que se produzca un incidente grave durante el uso de este producto, que afecte al paciente y/o al proveedor de cuidados, debe comunicarse con el fabricante del producto o el distribuidor autorizado. Si el incidente se produce dentro de la Unión Europea (UE), también se debe informar a la autoridad local competente del Estado miembro.

3. Instrucciones de montaje y encargo

Contenido de la caja

Coloque la caja en una zona de trabajo despejada y ábrala con cuidado. La caja contiene:

- ELEVADOR OXFORD STATURE
- BOLSA CONTENIENDO DOCUMENTOS
- CONTROL DE MANO
- UNIDAD DE BATERÍA
- CARGADOR/SOPORTE/DIODO DE SOBREMESA
- KIT DE SUJETADORES (INCLUYE TORNILLOS, LLAVE ALLEN, LLAVE TUBULAR HEXAGONAL, PLACA PROTECTORA)

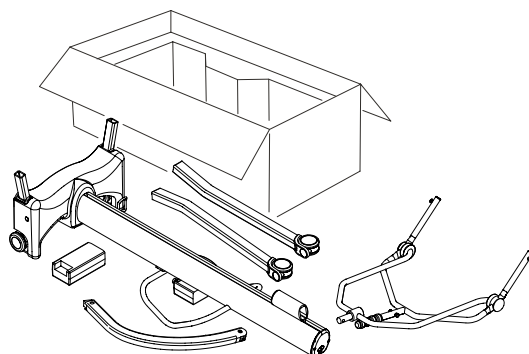
⚠ ADVERTENCIA

El Oxford Stature es pesado y habrá que tener cuidado al levantarlo. Puede que necesite ayuda para sacar el Oxford Stature de la caja.

Montaje

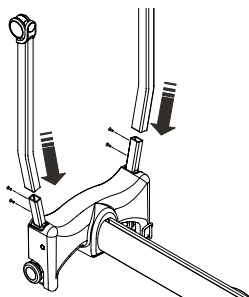
Retire todas las piezas de la caja y colóquelas en el suelo, con cuidado de evitar que el equipo sufra daños en su superficie.

1. Coloque el armazón y el mástil (los cuales están conectados) en un espacio vacío. El mástil y el armazón deben colocarse sobre el asidero de empuje, lo cual garantizará que el producto permanezca estable mientras se conectan las patas y el larguero en el producto.



2. Ajuste las patas al armazón usando dos tornillos de cabeza fresada de 6 mm por cada pata.

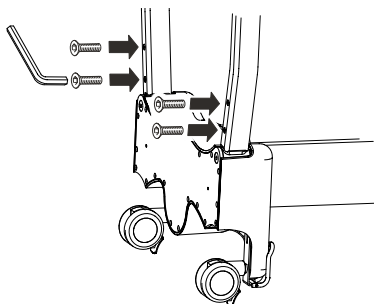
NOTA: Este aparato tiene una pata izquierda y una derecha, configuradas como se muestra abajo.



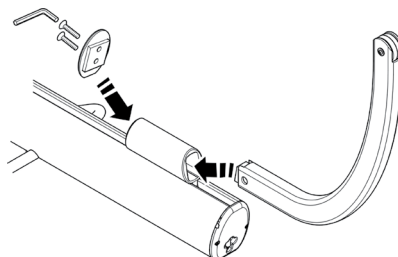
3. Con la llave Allen incluida, apriete los tornillos de 6 mm ubicados a cada lado del armazón.

⚠ ADVERTENCIA

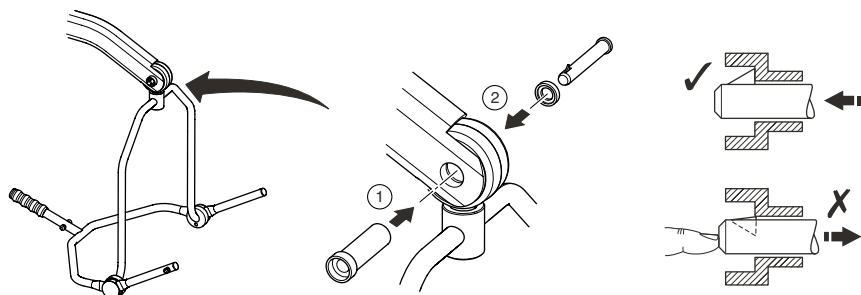
Los tornillos deben apretarse firmemente.



4. Inserte la sección curva del larguero en el chasis. Asegure el ensamblado al insertar los dos tornillos de cabeza fresada de 6 mm en la placa protectora azul incluida en el kit de sujetadores, como se muestra abajo, y apriete firmemente.



5. Instale el bastidor de posición de cuatro puntos en el larguero de elevación insertando la chaveta hendida. Asegúrese que la chaveta está bien fija.

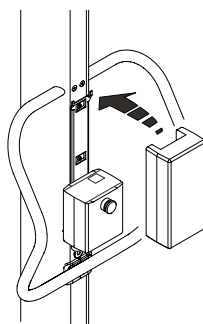
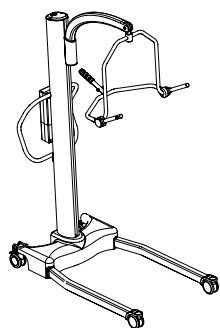


6. Coloque el elevador Stature en posición vertical y active los frenos.

⚠ ADVERTENCIA

Tenga extremo cuidado cuando levante el elevador Stature a su posición vertical, es muy pesado.

Ajuste el enchufe del control manual en la parte inferior de la caja de control, ubicada en el mástil y asegúrese que esté bien alineado con el receptáculo del enchufe. Ajuste la fuente de energía del elevador y asegúrese que el seguro que sostiene la fuente de energía esté totalmente adentro hasta que caiga en su sitio.

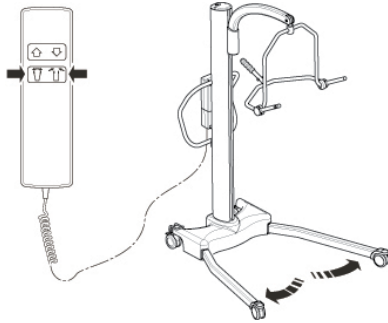


Desmontaje

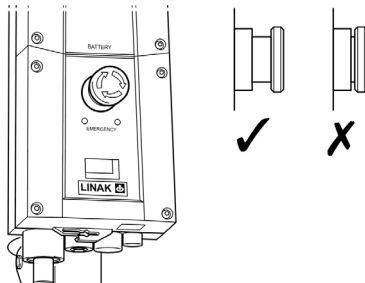
El elevador no debe ser desmontado a menos que sea necesario darle servicio, repararlo o transportarlo. Si es necesario desmontarlo, siga las instrucciones de ensamblado, pero en secuencia inversa.

ANTES DE HACERLO FUNCIONAR, VERIFIQUE LO SIGUIENTE

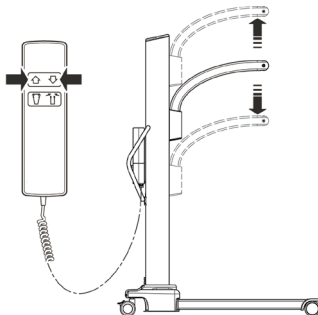
- Oprima los botones para abrir y cerrar del control manual para confirmar que las patas del elevador se abren y cierran de manera satisfactoria.



- El botón rojo de paro de emergencia, ubicado en la parte posterior de la caja de control, está en la posición de apagado (OFF).



- Oprima los botones de flechas hacia arriba y hacia abajo del control manual para confirmar que el larguero se eleva y baja de manera satisfactoria.



4. Precauciones de seguridad

Por favor, lea y siga las precauciones de seguridad que figuran más abajo. El funcionamiento y uso del elevador para pacientes Oxford es sencillo y fácil de comprender. Siguiendo estas precauciones básicas de seguridad, las operaciones de elevación serán fáciles y estarán libres de problemas.

LEA Y COMPRENDA EL MANUAL DE INSTRUCCIONES DEL USUARIO ANTES DE UTILIZAR SU ELEVADOR “STATURE”

ADVERTENCIA: Información de seguridad importante sobre peligros que podrían ocasionar lesiones serias.

PRECAUCIÓN: Información para evitar daños al aparato.

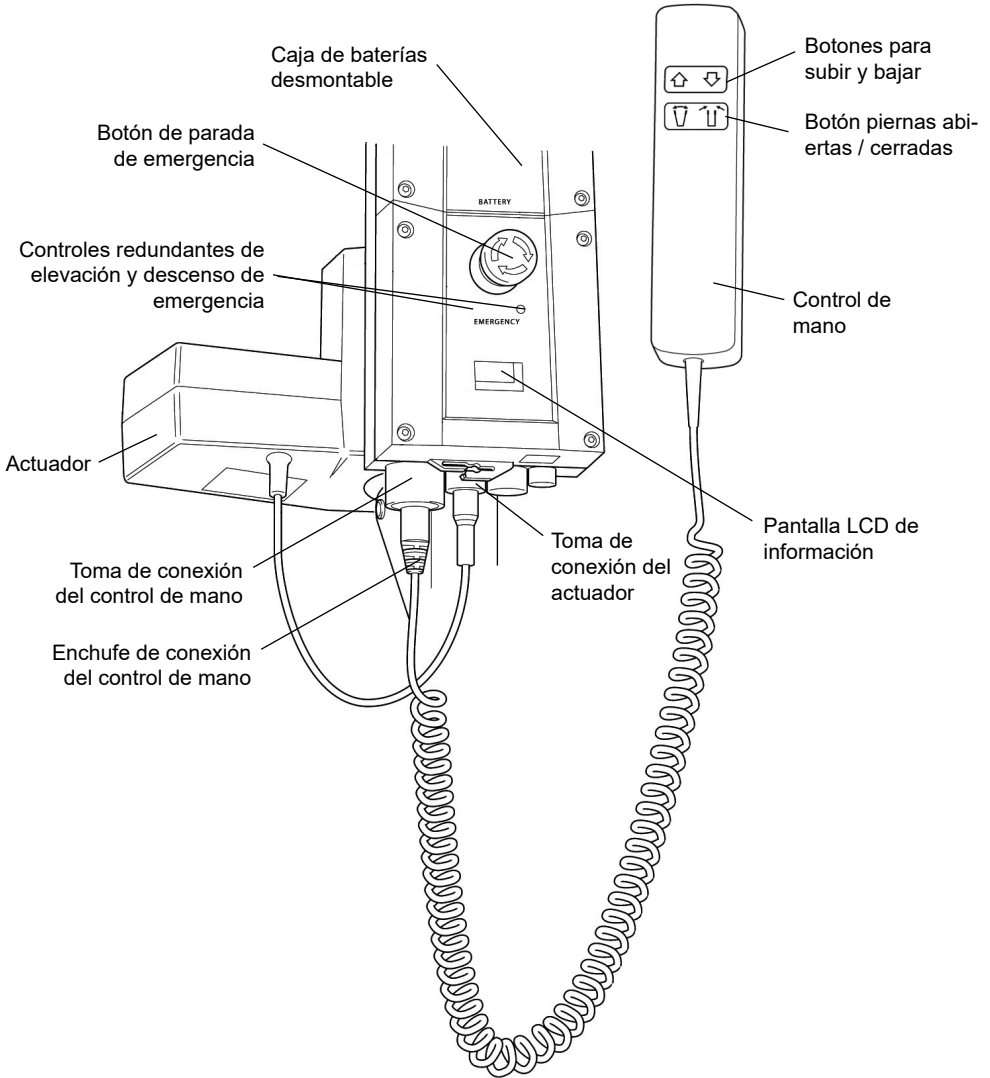
NOTA: Información a la cual usted debe prestar atención especial.

ADVERTENCIA

- Solamente personal de salud capacitado y competente debería operar los elevadores de pacientes Oxford.
- Compruebe SIEMPRE que la carga de trabajo de seguridad del elevador es adecuada para el peso del paciente.
- NO exceda la carga de funcionamiento segura de la grúa, ya que se activará un dispositivo limitador de la corriente eléctrica para evitar el uso de la grúa.
- Planifique SIEMPRE sus operaciones de elevación antes de comenzar.
- Lleve SIEMPRE a cabo la LISTA DE COMPROBACIÓN DIARIA antes de utilizar el elevador.
- Familiarícese SIEMPRE con el control de funcionamiento y características de seguridad de un elevador antes de levantar a un paciente.
- NO utilice una eslinga a no ser que esté recomendada para su uso con el elevador.
- Verifique SIEMPRE que la eslinga es adecuada para el paciente en particular y que su tamaño y capacidad son correctos.
- NUNCA utilice una eslinga que esté deshilachada o dañada.
- Encaje SIEMPRE la eslinga de acuerdo con las instrucciones que se indican (instrucciones del usuario).
- Asegúrese SIEMPRE que las correas de eslinga no queden atrapadas alrededor de las patas de la grúa.
- Lleve SIEMPRE a cabo las operaciones de elevación de acuerdo con las instrucciones en el manual del usuario.
- NUNCA desconecte o deje de realizar un control de seguridad o característica de seguridad porque parezca más fácil para el funcionamiento del elevador.

- **NO levante a un paciente con los frenos de las ruedas activados. Deje siempre que el elevador encuentre el centro correcto de gravedad.**
- **NO intente maniobrar el elevador empujando el mástil, el larguero o al paciente.**
- **Maniobre SIEMPRE el elevador con el asidero de empuje, ubicado en el mástil. También se incluye una almohadilla para el pie en la base de la grúa.**
- **Haga SIEMPRE descender al paciente a la posición cómoda más baja posible antes de transferirlo.**
- **NO empuje un elevador cargado a velocidades que superen un ritmo de caminar lento (3 kilómetros/hora, 0,8 metros/segundo).**
- **NO empuje el elevador sobre terreno desnivelado o con baches. Especialmente, si está cargado.**
- **NO intente empujar o tirar de un elevador cargado sobre una obstrucción en el suelo**
- **NUNCA fuerce los controles de funcionamiento/seguridad. Todos los controles son fáciles de utilizar y no requieren el uso de fuerza excesiva.**
- **NO aparque un elevador cargado sobre NINGUNA superficie en cuesta.**
- **NO utilice elevadores eléctricos en una ducha.**
- **NO cargue un elevador eléctrico en un baño o en una ducha.**
- **NO levante a un paciente a no ser que esté entrenado y sea competente para hacerlo.**
- **SU elevador está destinado a levantar pacientes. NO lo utilice, ni permita que se utilice, para cualquier otro fin.**
- **NO lleve el elevador dando tumbos hacia abajo en escaleras, tanto si está cargado como si está descargado.**
- **NO intente pasar con un elevador cargado por una pendiente que supere 1:12 (aproximadamente 5 grados).**
- **NO intente pasar con el elevador por una pendiente sin que haya alguien para ayudarlo.**
- **NO lo utilice en un ambiente húmedo o corrosivo, como por ejemplo al lado de una piscina**
- **NO utilice una alfombra extremadamente gruesa cuando el elevador está totalmente cargado.**
- **NUNCA haga funcionar el elevador con piezas o sujetadores faltantes, sueltos o desgastados.**

5. Caja de control y control de mano



6. Instrucciones de funcionamiento

ADVERTENCIA

Solamente personal de salud capacitado y competente debería operar los elevadores de pacientes Oxford.

1. Ajuste de las patas

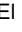

Las patas del Oxford Stature son ajustables eléctricamente en cuanto a su anchura. Las patas pueden abrirse para permitir el acceso alrededor de sillas o de sillas de ruedas. Para transferir y para pasar por pasillos estrechos, las patas del elevador deben estar en posición cerrada.

Ajuste eléctrico de las patas - se consigue pulsando los botones apropiados en el control de mano. Las patas se bloquearán cuando se suelte el conmutador del control de mano.

2. Ruedas y frenos

El elevador tiene dos ruedas con frenos, que se pueden aplicar para dejarlo aparcado. Cuando se realice la elevación, las ruedas deben dejarse libres y los frenos sin aplicar. De esta forma, el elevador podrá mover el centro de gravedad conforme se realiza la elevación. Si se aplican los frenos, será el paciente el que se mueva hacia el centro de gravedad y esto puede ser desconcertante e incómodo. En la rueda posterior se encuentra un dispositivo de avance en línea recta; cuando se aplica este dispositivo a la rueda facilita el avance en línea recta.

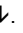

3. Elevación y descenso del larguero

El movimiento del chasis del larguero se logra mediante un poderoso motor, el cual se controla mediante una sencilla unidad de control manual. El control manual tiene dos botones con flechas HACIA ARRIBA y HACIA ABAJO  . El motor se detiene automáticamente en el límite del trayecto en ambas direcciones. El control manual se enchufa en un receptáculo en la base de la caja de control. Nota de seguridad - El movimiento hacia abajo del larguero se detiene si el elevador percibe que el paciente ha encontrado un obstáculo.

4. Parada de emergencia

El botón de parada de emergencia rojo está situado en la parte delantera del cuadro de control y se activa pulsándolo. Al pulsarlo se interrumpe la alimentación eléctrica al elevador y sólo se puede desarmar girando el botón en sentido contrario a las agujas del reloj y soltándolo.

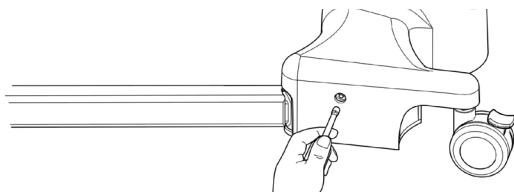
5. Descenso/elevación eléctricos de emergencia

Los botones de descenso (down) y elevación (up) de emergencia están situados en la parte delantera del cuadro de control. Se accionan insertando la punta de un bolígrafo en el botón marcado como  . Esto hará que el larguero suba o baje si falla el control de mano en cualquier momento.

6. Descenso mecánico de emergencia

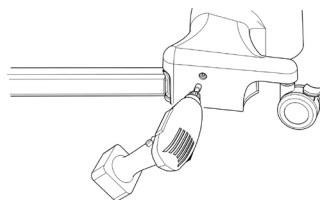
En caso de una falla eléctrica total, el elevador Stature cuenta con un dispositivo mecánico para bajarlo. Este dispositivo está ubicado en el costado izquierdo del armazón del elevador.

El mecanismo para bajarlo se opera al insertar una llave tubular hexagonal de 6 mm en la apertura y en el mecanismo que gira en sentido horario para subir el elevador, y en sentido antihorario para bajar el elevador. Esto puede hacerse a mano con una llave tubular.



RECOMENDACIÓN

Para elevar o bajar más rápido el larguero, se recomienda usar una llave tubular hexagonal de 6 mm junto con un adaptador impulsor de pulg. y un taladro eléctrico reversible. (Nota - no utilice el parámetro de martillo). Esto incrementará la velocidad a la cual puede elevarse y bajarse el paciente con seguridad. En la tapa superior ubicada en la parte superior del mástil se encuentra una llave tubular hexagonal de 6 mm.



NOTA: Antes de elevar o bajar al paciente, asegúrese de haber planificado cuidadosamente el sitio hacia donde desea llevarlo. Por ejemplo, de regreso hacia una silla o cama.

7. Baterías

Las baterías están protegidas ante descargas fuertes por una ALARMA DE VOLTAJE BAJO. Esta alarma emitirá un sonido cuando las baterías necesiten recargarse y se esté manejando el control de mano. No sonará si el control de mano no se está manejando. **NO IGNORE ESTA ALARMA DE ADVERTENCIA.** Complete la operación de elevación y ponga la batería a cargar (vea las instrucciones de carga).

8. Eslingas

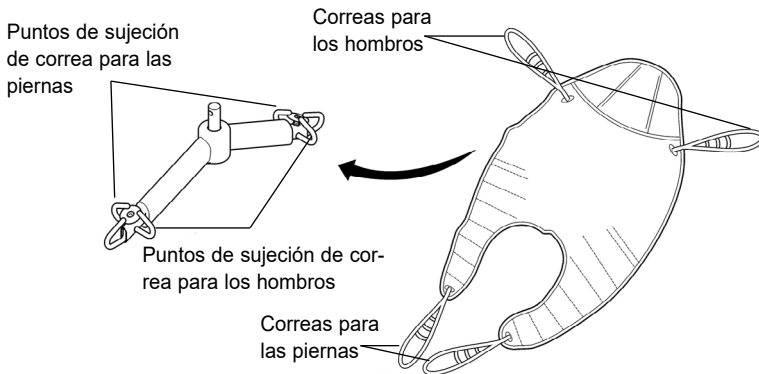
El Oxford Stature tiene la opción tanto de una barra de extensión de seis puntos como de percha de cuatro puntos. Ambos sistemas utilizan diferentes métodos de sujeción y eslingas.

El sistema de seis puntos utiliza eslingas con bucles de tejido, que permiten un ajuste de posicionamiento seleccionando diferentes bucles coloreados. El sistema de cuatro puntos utiliza el sistema de clip de seguridad Securi3 y el ajuste se realiza girando la percha de cuatro puntos cualquiera ascenso o descenso.

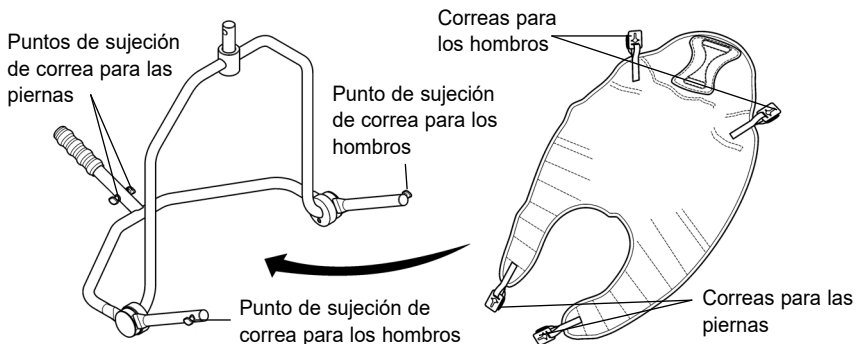
Eslingas de correa de bucle: Oxford Quickfit, Full Back, Quickfit Deluxe, Long Seat, Access y Silkfit.

Eslingas de clip de seguridad: Oxford Comfort

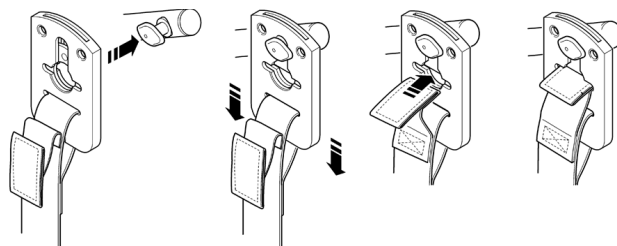
El sistema de dos puntos se sujeta a los ganchos de la barra de extensión por medio de correas de bucle (como se muestran más abajo); cada eslinga viene con sus correspondientes instrucciones. Por favor, estudie la guía de instrucciones antes del uso.



Barra de extensión de 6 puntos: Ejemplo de la barra de extensión de 6 puntos con sujeciones de bucle. La eslinga del sistema de cuatro puntos va sujeto a los tachones de la percha por medio de un sistema de clip de seguridad (como se muestra más abajo); cada eslinga se suministra con instrucciones. Por favor, estudie la guía de instrucciones antes del uso.



Percha de 4 puntos. ejemplo de la eslinga de la percha de 4 puntos con sistema de clip de seguridad.



Sistema de fijación de eslinga Securi3

Ejemplo de instalación.

NOTA: Para obtener instrucciones de colocación más detalladas, consulte la guía del usuario proporcionada con cada eslinga.

⚠ ADVERTENCIA

Joerns Healthcare recomienda comprobar las eslingas regularmente y, en especial, antes del uso por si están deshilachadas o dañadas. NO utilice eslingas que estén desgastadas o dañadas.

⚠ ADVERTENCIA

OXFORD RECOMIENDA UTILIZAR PRODUCTOS AUTÉNTICOS OXFORD. Los sistemas Oxford de eslingas y elevación tienen un diseño que los hace compatibles entre sí. Para obtener información y consejos específicos acerca del uso y compatibilidad de las eslingas, consulte la etiqueta de la eslinga, o bien comuníquese con su distribuidor local de mercado o con Joerns Healthcare.

⚠ ADVERTENCIA

Consulte la capacidad de peso máximo del elevador. La capacidad de la eslinga está limitada por la capacidad máxima del elevador.

7. Remoción de sistemas de barra espaciadora/ percha

SIGA ESTAS INSTRUCCIONES DE MANERA EXACTA

El ascensor actual tiene la opción de usar tanto la barra espaciadora de seis puntos ou la percha de cuatro puntos. La remoción de cualquiera de estos sistemas se realiza de manera fácil usando un pasador de liberación rápida. Esto puede realizarse rápida y fácilmente, sin embargo, debe leer las siguientes instrucciones de seguridad para garantizar que la barra espaciadora/percha está segura en su posición antes de usar.

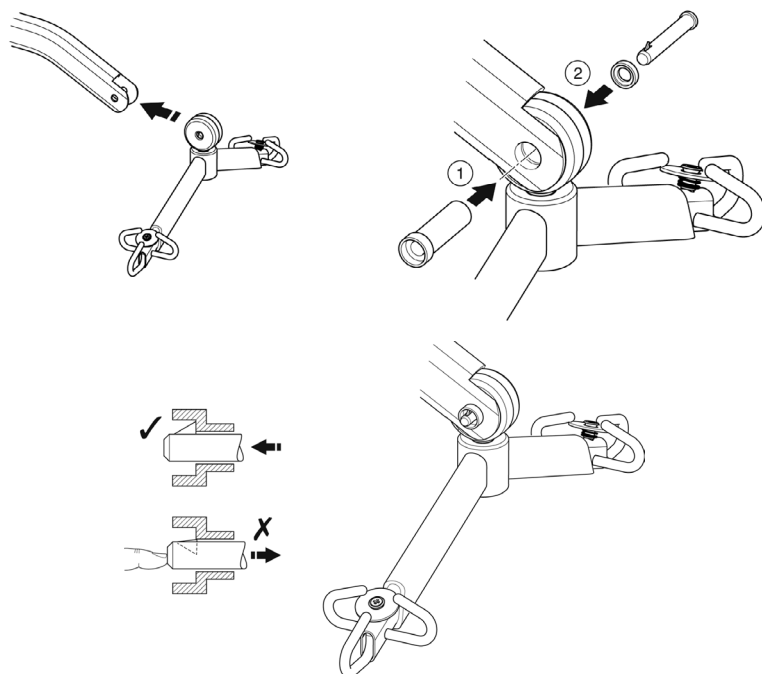
Conexión

Para conectar, eleve la barra espaciadora/percha hacia la ranura del larguero.

Inserte la manga de la clavija a través de la tapa de plástico y para sostener la barra espaciadora/percha.

Una vez alineado en la ranura del larguero, vuelva a insertar completamente el pasador de liberación rápida en la manga, hasta que caiga en su posición. **DEBE VERIFICAR QUE EL PASADOR ESTÉ AJUSTADO DE MANERA SEGURA**

Para hacerlo, oprima con el dedo dentro el extremo de la lengüeta. Si el pasador permanece estacionario, el elevador puede usarse con seguridad.

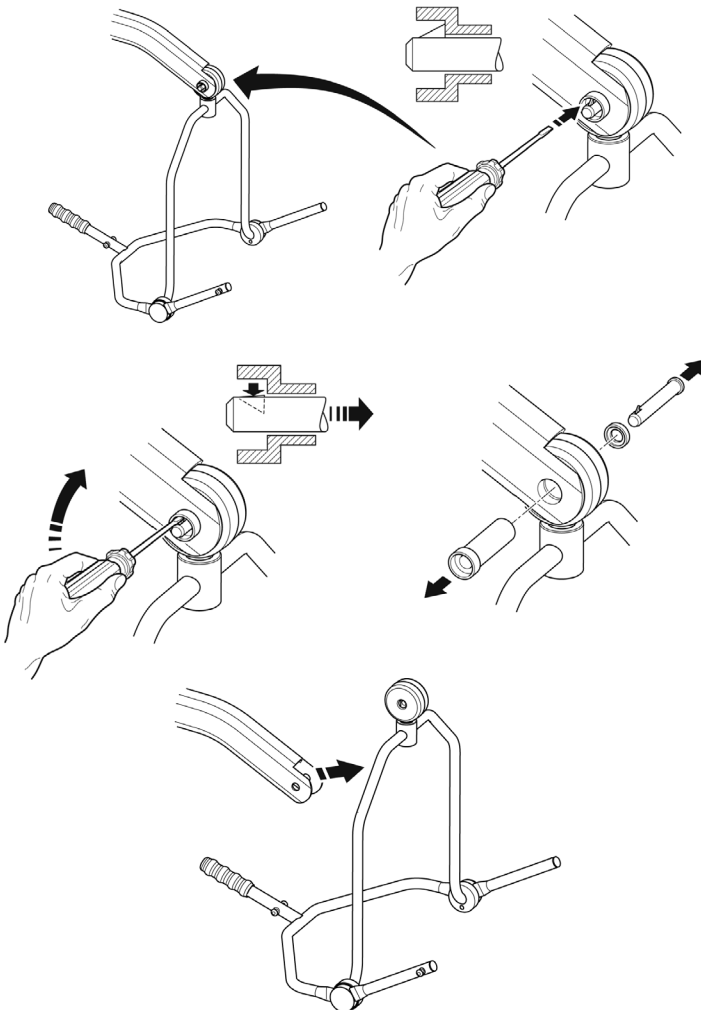


Remoción

PRECAUCIÓN: Asegúrese de sostener el peso de la barra de ensanchamiento/percha antes de retirar la chaveta.

Para quitar el pasador, oprima la lengüeta del muelle (usando un destornillador eléctrico de hoja plana o semejante) y saque el pasador.

Sostenga la barra espaciadora/percha y luego tire de la manga del pasador en la dirección opuesta, sacándola completamente del larguero. Esto liberará la barra espaciadora/percha por completo.



8. Instrucciones para la carga

Cuando la central eléctrica necesita recarga, se la extrae del elevador y se conecta a una unidad externa de carga.

Joerns Healthcare recomienda disponer de otra central eléctrica, de manera que una esté recargada continuamente.

1. Extraiga la central eléctrica del elevador. La central está sujeta por un simple pestillo en la parte superior de la misma. Levante el pestillo y la central eléctrica quedará liberada.
2. Conecte la central eléctrica con la unidad de carga. La colocación y sujeción de la central eléctrica con el cargador es la misma que para el elevador.
3. Conecte el enchufe del cargador a una toma de electricidad y encienda la fuente de energía.
4. La acción de carga es automática y llenará totalmente las baterías en un período de entre cuatro (4) horas. **NOTA:** Incluso si deja el cargador conectado durante períodos extensos no permitirá que se produzca una sobrecarga en las baterías.
 - a) Luz verde: Indica que el suministro eléctrico está encendido.
 - b) Luz amarilla: Indica que la batería se está cargando.
 - c) Las baterías estarán totalmente cargadas cuando se apague la luz amarilla.

NOTA: Se recomienda que cargue la batería no bien reciba el producto.

5. Para hacer funcionar de nuevo el elevador, APAGUE la red de suministro eléctrico y desconecte el cargador de la central eléctrica. Monte la central eléctrica en el elevador y compruebe que el pestillo que sujeta la caja en su sitio esté perfectamente engranado. Al quedar perfectamente engranado, oír un "clic". Si bien la carga de los elevadores eléctricos Oxford es simple sencilla, es importante que siga las instrucciones de carga con precaución. Preste especial atención a los puntos siguientes, que le ayudarán a evitar problemas con las baterías descargadas.

ADVERTENCIA

- La batería, el cargador, el control de mano y la caja de control **NO** deben ser abiertos por personal no autorizado. (Comuníquese con el distribuidor por reparaciones y reclamos de la garantía).
- **NO** toque las terminales de la batería ni el cargador.
- **MANTENGA** las baterías completamente cargadas. Ponga la batería a cargar siempre que no esté utilizando el dispositivo. Si le resultase más práctico, póngala a cargar durante la noche. El cargador no permitirá que las baterías se sobrecarguen.
- **NUNCA** permita que las baterías se gasten por completo. No bien suene la alarma de advertencia, complete la operación de elevación y ponga a cargar la batería.
- A fin de evitar posibles daños permanentes en la batería, debe colocar la batería a cargar en cuanto la pantalla indique el símbolo de la batería a la mitad.
- **NUNCA** almacene la batería durante largos períodos de tiempo sin realizar cargas periódicas durante el período de desuso.

- **SIEMPRE** compruebe que la toma del cargador a la red de suministro eléctrico esté apagada antes de conectar o desconectar la batería.
- **NUNCA** deje la batería conectada con la toma del cargador a la red de suministro eléctrico apagada.
- **NO** deje el cargador encendido con la batería desconectada.
- **NO** use el elevador mientras carga la batería.
- **COMPRUEBE** que el elevador no se esté cargando antes de desplazarlo, ya que podría dañar la conexión eléctrica.
- **NUNCA** desconecte la toma del cargador tirando del cable.
- **PROCURE** no tropezar con el cable del cargador.
- **NO** cargue el elevador eléctrico en el cuarto de baño.

9. Plan de mantenimiento y lista de comprobación diaria

Todos los productos Oxford requieren un mantenimiento mínimo; sin embargo, es necesario llevar a cabo algunas comprobaciones y procedimientos de seguridad. A continuación se indica un plan de tareas DIARIAS. Realizar comprobaciones diarias y mantenimiento, inspección y prueba cada seis meses asegurará que el elevador se mantiene en condiciones óptimas de funcionamiento. Si lo pide, le enviaremos una lista de piezas de repuesto.

La PRUEBA DE CARGA y la certificación sólo deben llevarse a cabo por personal cualificado o por un agente / concesionario de servicio autorizado.

LISTA DE COMPROBACIÓN DIARIA: Joerns Healthcare recomienda encarecidamente realizar las siguientes comprobaciones de manera diaria y antes de utilizar el elevador.

- ASEGÚRESE de que las ruedas del elevador se mueven con normalidad.
- ASEGÚRESE de que el soporte de seis puntos gira y se balancea con libertad de movimientos.
- EXAMINE y COMPRUEBE que el soporte de seis puntos está firmemente sujeto al brazo.
- COMPRUEBE que los amarres y ganchos del arnés del soporte de seis puntos no presentan daños ni signos de desgaste excesivo.
- COMPRUEBE que las patas abren y cierran correctamente y pueden quedar trabados con seguridad en todas las posiciones abiertas y cerradas.
- ACCIONE el control de mano para comprobar que el brazo sube y baja de manera correcta.
- ASEGÚRESE de que el panel de visualización de del control NO PRESENTE un símbolo de llave encendido ni se oiga una señal al pulsar los botones de subir y bajar.
- COMPRUEBE el buen funcionamiento del botón de parada de emergencia.
- EXAMINE los arneses para determinar si se ha producido un desgaste excesivo. NO utilice los arneses si detecta signos de daños o desgaste.
- CONFIRME que no suene la alarma de baja batería del elevador cuando acciona el control de mano. Si sonase la alarma, NO use el dispositivo y ponga a cargar las baterías.
- ASEGÚRESE de que los puntos de conexión del actuador estén seguros.
- Realice una INSPECCIÓN VISUAL de todas las piezas de fijación y anclaje y asegúrese de que todas ellas están instaladas de forma segura antes de su uso.

Mantenimiento, Inspección Y Prueba

Joerns Healthcare recomienda realizar inspecciones y comprobaciones completas y periódicas del elevador, los accesorios de elevación, las eslingas, balanzas, etc. La frecuencia de la verificación varía de acuerdo con la localidad; compruebe con su distribuidor local o entidad gubernamental, según corresponda, en lo referente a la frecuencia de verificación estipulada. Todas las verificaciones y pruebas deben llevarse a cabo según las recomendaciones y procedimientos explicados en el presente manual. Joerns Healthcare recomienda que el mantenimiento, inspección y comprobación certificada las lleve a cabo un agente o proveedor de mantenimiento autorizado.

NOTA: Estas recomendaciones se dan en cumplimiento de los requisitos Salud y Seguridad N° 2307 de 1998: Normas relativas a Operaciones de Elevación y Equipo de Elevación de 1998. Esta norma es del Reino Unido. Fuera del Reino Unido, revise los requisitos aplicables a su país.

Limpieza

Limpie con jabón corriente y agua, y/o con cualquier desinfectante para superficies duras. Deben evitarse limpiadores químicos o abrasivos, ya que pueden dañar el acabado de la superficie del elevador. No moje ninguna pieza eléctrica. Después de la limpieza, la unidad debe secarse completamente.

Eliminación al final de la vida útil

Batería: Todas las baterías del producto y los accesorios que lo acompañan deben reciclarse por separado. Las baterías deben desecharse de acuerdo con las normas o reglamentos locales o nacionales.

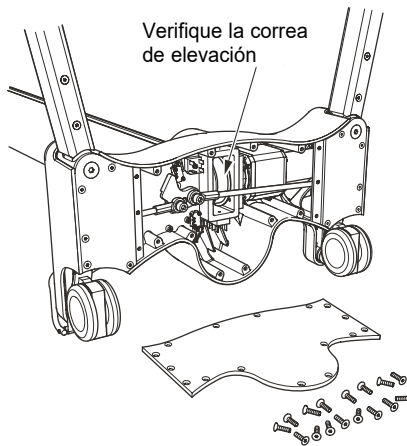
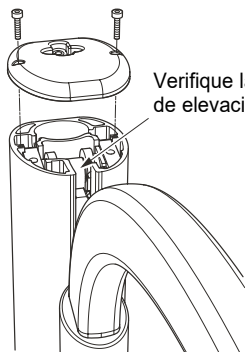
Arneses: Los arneses y accesorios de material asociados deben clasificarse como residuos combustibles de acuerdo con las normativas locales o nacionales.

***ESTAS COMPROBACIONES DEBEN INCLUIR:**

	Inicialmente	Antes del uso	Intervalos de servicio
1. BARRA DE EXTENSIÓN/PERCHA: Compruebe la barra de extensión/percha para verificar si tiene libertad de rotación y giro. Compruebe si hay desgaste en el pivote central. Compruebe que está sujeta firmemente al larguero.	✓	✓	✓
2. LARGUERO: Compruebe la sujeción del larguero al mástil. Asegúrese de que sólo exista un mínimo movimiento del larguero.	✓	✓	✓
3. MÁSTIL: Verifique si está conectado firmemente en el armazón.	✓	✓	✓
4. ENGRANAJE DEL MOTOR: El engranaje del motor no requiere más mantenimiento que comprobar que funciona correctamente y escuchar si hay ruidos inusuales.			✓
5. UNIDAD DE ALIMENTACIÓN: Verifique el funcionamiento del botón de parada de emergencia y del descenso de emergencia.	✓	✓	
6. BATERÍAS: Las baterías están alojadas en la unidad de alimentación eléctrica y no requieren ningún mantenimiento excepto su carga regular tal y como se detalla en las instrucciones de carga. Compruebe que las conexiones están limpias. Confirme que la abrazadera de la batería está segura y no presenta daños.			✓
7. AJUSTE DE LAS PATAS: Compruebe que las patas funcionan en toda su extensión (hacia dentro / hacia fuera)	✓	✓	✓
8. RUEDAS: Compruebe que todas las ruedas están firmemente sujetas a las patas. Verifique la libre rotación de las ruedas y de sus pivotes.	✓	✓	✓
9. LIMPIEZA: Limpie con un paño limpio con agua y jabón y/o cualquier desinfectante de superficies duras. Deben evitarse limpiadores químicos o abrasivos, ya que pueden dañar el acabado de la superficie del elevador. Evite elmojado excesivo, especialmente de las áreas eléctricas y la apertura de la base de la grúa. Recomendamos que humedezca el paño en la solución, exprima el exceso de líquido y limpie la superficie de la grúa. Después de la limpieza, la unidad debe secarse completamente.		✓	✓
10. PRUEBA DE CARGA: La prueba de carga debe realizarse de acuerdo con los procedimientos de prueba del fabricante y la directiva detallada en EN ISO 10535:2006 - Anexo B - Inspección Periódica B1 – véase el extracto a continuación. Se recomienda encarecidamente realizar la prueba por un servicio técnico autorizado.			✓
11. BASE Y RUEDAS: Asegúrese de que la base está uniforme y nivelada. (las cuatro ruedas en contacto con el suelo).	✓	✓	✓
12. ESLINGAS: Vea si están desgastadas o deshilachadas	✓	✓	✓
13. LUBRICACIÓN: Lubrique las juntas de los pivotes, incluyendo las conexiones del mástil y del larguero, el conjunto de pedal, la junta de la barra de extensión (hágalo sólo si es necesario).			✓
14. CONJUNTO DE MANO: Asegúrese de que está bien enchufado al controlador.	✓	✓	

***ESTAS COMPROBACIONES DEBEN INCLUIR:**

	Inicialmente	Antes del uso	Intervalos de servicio
15. CHAVETA DE DESENGANCHE RÁPIDO: Asegúrese de que la chaveta esté colocada correctamente antes de realizar la elevación presionando la punta dentada.			✓
16. SUJETADORES: Verifique la tensión de los sujetadores.	✓	✓	
17. CORREAS DE ELEVACIÓN: La correa de elevación debe revisarse en cada período de servicio en busca de señales de desgaste (idealmente cada seis meses). Para poder ver la correa se recomienda retirar la tapa de la parte superior del mástil y hacer funcionar el elevador en ambas direcciones para observar la condición de la correa. Si observa señales de desgaste (deshilachado, pliegues o algo similar) se recomienda que un distribuidor autorizado Joerns Healthcare o ingeniero de servicio cualificado y competente reemplace la correa INMEDIATAMENTE. Para conocer los detalles de mantenimiento y servicio de la correa, por favor, solicite nuestra guía detallada de servicio. (Vea los detalles más abajo.)		✓	✓



EN ISO 10535:2006

Anexo B

(Informativo)

Inspección periódica

B. 1 Se debe realizar una inspección periódica del elevador en los intervalos de tiempo indicados por el fabricante, pero al menos una vez al año. Por inspección periódica se entiende un examen visual (en particular de la estructura portante del elevador y del mecanismo de elevación con accesorios, frenos, controles, dispositivos de seguridad y dispositivos de apoyo para el usuario) además de cualquier otra prueba de funcionamiento y medidas de mantenimiento que puedan ser necesarias, por ejemplo, ajuste de los frenos y de tornillos.

Cada inspección debe incluir una prueba de carga de trabajo de un (1) ciclo de elevación con la carga máxima.

10. Especificaciones Técnicas

Carga de trabajo segura	500 lbs.....	227 kgs
Longitud total máxima	54.7 pulgadas	1390 mm
Longitud total mínima	50.8 pulgadas	1290 mm
Altura total máxima.....	83.8 pulgadas	2130 mm
Altura total mínima	76.6 pulgadas	1945 mm
Altura en alcance máximo.....	77.8 pulgadas	1975 mm
Alcance en altura máxima.....	24.6 pulgadas	625 mm
Alcance en altura mínima.....	24.6 pulgadas	625 mm
Alcance máximo	24.6 pulgadas	625 mm
Radio de giro	61.0 pulgadas	1550 mm
Patatas abiertas - Anchura externa.....	53.5 pulgadas	1360 mm
Patatas abiertas - Anchura interna.....	48.4 pulgadas	1230 mm
Patatas cerradas - Anchura externa.....	29.9 pulgadas	760 mm
Patatas cerradas - Anchura interna.....	25.1 pulgadas	640 mm
Altura total de las patatas.....	4.3 pulgadas	110 mm
Distancia al suelo	1.2 pulgadas	30 mm
Par de ruedas delanteras	4 pulgadas	100 mm
Ruedas traseras con freno.....	4 pulgadas	100 mm

*Alcance = distancia entre el centro de la barra de extensión y la parte delantera del mástil

Bastidor de posición de 4 puntos

(medida hasta la parte superior de las clavijas de ubicación)

NOTA: El bastidor de posición de 4 puntos viene estándar con el elevador Stature.

Altura máx. del bastidor	63.3 pulgadas.....	1610 mm
Altura mín. del bastidor (útil)	12.2 pulgadas.....	310 mm

Barra espaciadora de 6 puntos

(medida hasta la parte superior de las clavijas de ubicación)

NOTA: El bastidor de posición de 6 puntos es opcional con el elevador Stature.

Altura máxima de la barra de extensión	77.7 pulgadas	1975 mm
Altura mínima de la barra de extensión	26.6 pulgadas	675 mm

Pesos

Mástil, base y conjunto de larguero	142 lbs.....	64.5 kgs
Bastidor de posición de 4 puntos.....	13.2 lbs.....	6 kgs
Unidad de alimentación.....	6.6 lbs.....	3 kgs
Total 162 lbs	73.5 kgs	

Para todas las dimensiones se aplican tolerancias de fabricación.

ESPECIFICACIONES ELÉCTRICAS:

BATERÍAS.....	24 voltios, tipo ácido de plomo selladas recargables
CAPACIDAD DE LA BATERÍA	3,2 amperios hora
ENTRADA NOMINAL DEL CARGADOR.....	100 - 240 V CA/ 50/60 Hz
SALIDA MEDIDA DEL CARGADOR.....	29,5 V CC, Máx. 19 W

PROTECCIÓN FRENTE A DESCARGAS ELÉCTRICAS

CARGADOR.....	CLASE II (EN 60601-1)
ELEVADOR.....	FUENTE DE ALIMENTACIÓN INTERNA

GRADO DE PROTECCIÓN FRENTE A DESCARGAS

CARGADOR.....	TIPO B (EN 60601-1)
ELEVADOR.....	TIPO B (EN 60601-1)

CONDICIONES AMBIENTALES

Al aire libre, la funcionalidad y seguridad especificadas pueden verse comprometidas.

RANGO DE TEMPERATURA Y HUMEDAD

TEMPERATURA	>+5°C a <+40°C
HUMEDAD RELATIVA.....	20% a 90% a 30°C (no condensada)

ALMACENAMIENTO

TEMPERATURA	>-10°C a <+50°C
HUMEDAD RELATIVA.....	20% a 90% a 30°C (no condensada)
PRESIÓN ATMOSFÉRICA	700 - 1060 Hpa

CLASIFICACIONES IP

CAJA DE CONTROL.....	IPX4
ACTUADOR	IPX4
CARGADOR EXTERNO	IPX5
BATERÍA	IPX5
CONTROL DE MANO	IPX5

CICLOS DE TRABAJO

ACTUADOR	10% (2 min. / 18 min.)
CARGADOR.....	4 horas (aprox.)

ACÚSTICA

NIVEL DE POTENCIA DE SONIDO (ESCALA PONDERACIÓN A)	64 dB
--	-------

EXPLICACIÓN DE LOS SÍMBOLOS:

Los signos enunciados a continuación se utilizan en el cargador, la unidad de control y la batería:



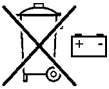
Este producto es un Dispositivo Médico de acuerdo con la Ordenanza de Dispositivos Médicos de la UE 2017/745.



Equipo de tipo B, según EN 60601-1



Equipo de clase



La batería no debe desecharse junto con los residuos domésticos. Las baterías deben desecharse de acuerdo con las normas o reglamentos locales o nacionales.



Las piezas de electrónica no deben desecharse junto con los residuos domésticos



Para uso en interiores solamente



ATENCIÓN: consulte los documentos adjuntos



Consulte las instrucciones del usuario antes de usar

WEEE Producers - Número de registro: WEE/GG0464RZZ

11. Garantía

Joerns Healthcare cuenta con una red establecida de distribuidores autorizados y agentes técnicos que estarán gustosos de responder a todas sus inquietudes respecto a la adquisición, garantía, reparación y mantenimiento de los productos. Se recomienda que un distribuidor autorizado o agente técnico encarguen nuestros productos.

El distribuidor o representante opera el Programa de la garantía; de manera que es importante conservar el nombre, dirección y teléfono para poder establecer contacto en caso de que surja algún problema. Si tiene dudas acerca del lugar de compra del elevador, Joerns Healthcare puede ubicar al proveedor si usted cita el número de serie del producto.

Todas las reclamaciones respecto de la garantía están sujetas a la correcta utilización y mantenimiento del producto, de acuerdo con el manual de instrucciones suministrado con cada elevador. La garantía pierde validez ante cualquier daño causado por el uso en condiciones ambientales inadecuadas o por falta de mantenimiento del producto según las instrucciones de mantenimiento para el usuario. Sus derechos legales no se verán afectados.

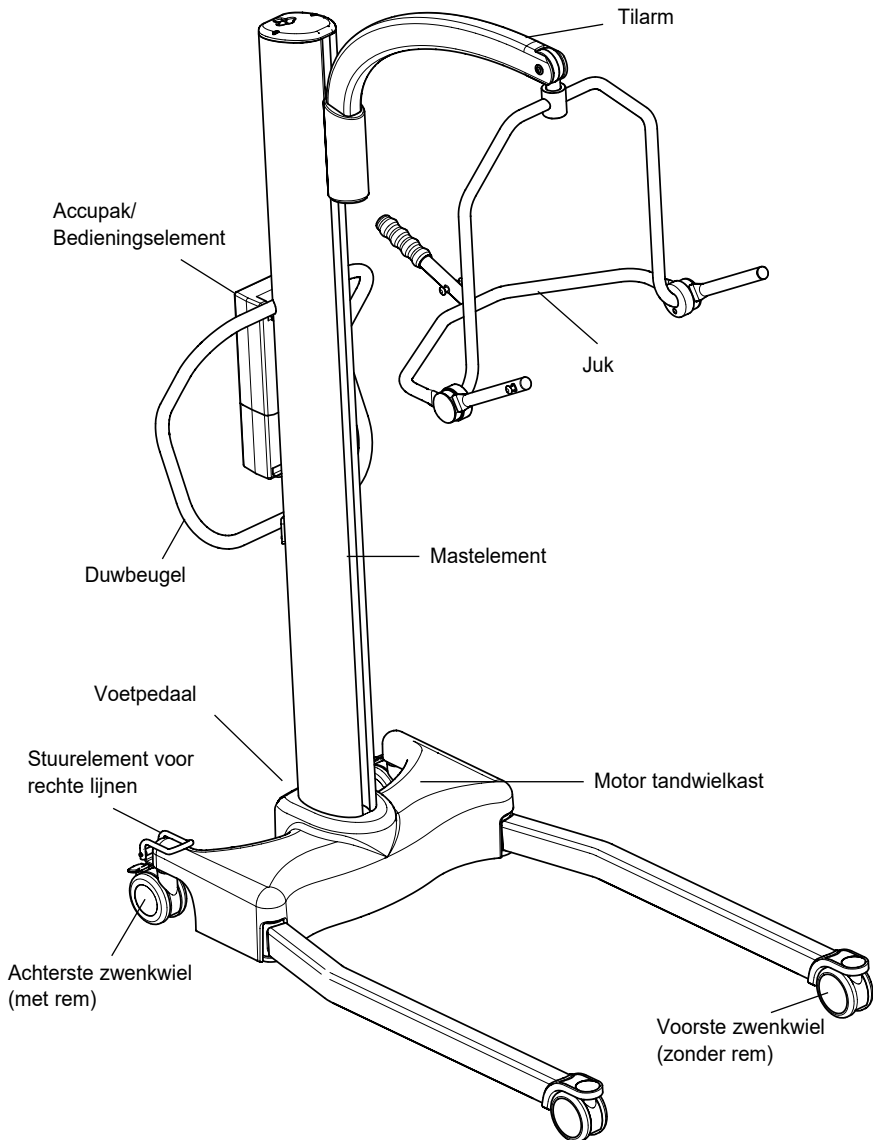
RECUERDE: Póngase en contacto con su distribuidor autorizado o agente técnico por adquisiciones, reparaciones, servicio y mantenimiento certificados.

Su distribuidor:

Inhoudsopgave

1. Oxford Stature patiëntentillift	107
2. Inleiding: over uw tillift	108
3. Instructies voor montage en inbedrijfstelling	109
4. Veiligheidsmaatregelen	113
5. Standaard schakelkast en handset	115
6. Bedieningsinstructies.....	116
7. Verwijderen van zespunts- en vierpuntsjukken	120
8. Oplaaadinstructies	122
9. Onderhoudsschema & dagelijkse controlelijst.....	124
10. Technische specificaties.....	127
11. Garantie.....	130

1. De Oxford Stature Patiëntentilift



LEES EN BEGRIJP VOORDAT U UW "STATURE" GEBRUIKT EERST DE INSTRUCTIES IN DEZE HANDLEIDING

2. Inleiding: Over uw tillift

De Oxford Stature is een elektrische patiëntentillift. Elke Stature tillift wordt volledig gemonteerd, onderworpen aan een belastingstest en gecertificeerd voordat hij verpakt en verscheept wordt.

De verpakking bestaat uit een sterke, speciaal ontworpen doos die voor zowel de externe als de interne markt wordt gebruikt om zeker te zijn van een behouden aankomst van de lift. Bij iedere tillift wordt een aantal documenten in een map geleverd en deze moeten op een veilige plaats worden opgeborgen zodat zij in de toekomst eventueel geraadpleegd kunnen worden.

- GEBRUIKERSHANDLEIDING
- TESTCERTIFICAAT
- PAKLIJST

Het TESTCERTIFICAAT is een belangrijk document en kan vereist zijn voor uw verzekeringsgevens. Het is zes maanden lang geldig en nadat het verlopen is moet de tillift volgens het onderhoudsschema geïnspecteerd worden door een competente, geautoriseerde onderhoudsmonteur.

WAARSCHUWING

Voorafgaand aan het dagelijkse gebruik van uw lift moeten de controles worden uitgevoerd zoals vermeld in de checklist in deze handleiding.

La marca CE: El Oxford Stature lleva la marca CE y cumple con las siguientes directivas de la CE:



- Directiva de Dispositivos Médicos (93/42/EEC)
- Directiva EMC (89/336/EEC)
- Directiva de bajo voltaje (73/23/EEC)

Declaración de uso al que está destinado

El uso previsto para este dispositivo es la elevación y transferencia seguras de un individuo de una superficie de descanso a otra (como de una cama a una silla de ruedas, por ejemplo). Joerns Healthcare recomienda que la transferencia de pacientes se lleve a cabo posteriormente a una evaluación de riesgos, y de manera segura, en una breve distancia solamente.

El sistema Oxford Stature es un dispositivo de elevación de pacientes accionado de manera eléctrica, diseñado para apoyar y promover el manejo y transferencia seguros del paciente, tanto para el individuo que está siendo transportado como para la persona a cargo.

El elevador de pacientes Oxford Stature incorpora una barra extensora de seis puntos y está diseñado para ser utilizado con la amplia gama de arneses Oxford. La opción de cuna de 4 puntos está disponible como un accesorio adicional.

A continuación citamos ejemplos de arneses adecuados para uso con este dispositivo:

- Oxford Quickfit
- Oxford Access
- Oxford Quickfit Deluxe
- Oxford Long Seat
- Oxford Full Back
- Oxford Comfort
- Oxford Silkfit

WAARSCHUWING

De Oxford patiëntenliften mogen uitsluitend worden bediend door volledig opgeleide/ competente verzorgers.

Vida útil estipulada previa al mantenimiento:

Los elevadores profesionales Oxford están diseñados y evaluados para durar un período mínimo de diez (10) años previamente a efectuarse algún tipo de mantenimiento, dependiendo del uso y cumplimiento con las tareas de mantenimiento establecidas en este manual. El uso diferente al establecido en estas instrucciones, podría comprometer la vida útil del producto.

Melden van ernstige incidenten

Wanneer tijdens gebruik van dit product een ernstig incident heeft plaatsgevonden, waarbij de patiënt en/of zorgverlener betrokken was/waren, moet dit aan de fabrikant van het product of de erkende distributeur worden gemeld. Indien dit incident heeft plaatsgevonden binnen de Europese Unie (EU), moet het ook aan de bevoegde autoriteit binnen de lidstaat worden gemeld.

3. Instructies voor montage en inbedrijfstelling

Inhoud Van De Doos

Plaats de doos in een vrije werkruimte en maak hem voorzichtig open. De doos bevat:

- OXFORD STATURE TILLIFT
- MAP MET DOCUMENTEN
- HANDBEDIENING
- ACCUPAK
- BUREAU-OPLADER/HOUDER/KABEL
- BEVESTIGINGSPAKKET (SCHROEVEN, INBUSSLEUTEL, HEXDOP, AFDEKPLAATJE)

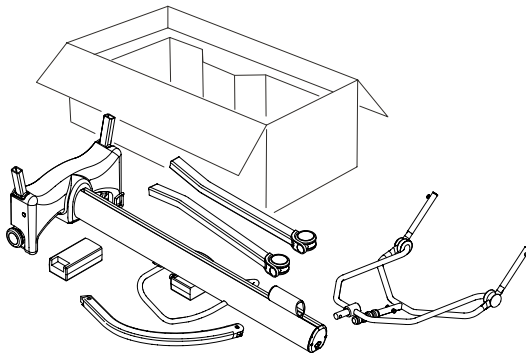
▲ WAARSCHUWING

De Oxford Stature is zwaar en moet voorzichtig opgetild worden. U heeft waarschijnlijk hulp nodig om de Oxford Stature uit de doos te tillen.

Montage Instructies

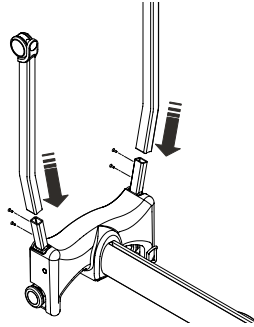
Verwijder alle onderdelen uit de doos en plaats deze op de grond. Let hierbij op dat u de afwerking niet beschadigt.

1. Plaats het onderstel en de mast (aan elkaar verbonden) in een vrije werkruimte. De mast en onderstel moeten op de duwbeugel rusten, die ervoor zorgt dat het product stabiel blijft terwijl u de poten en de tilarm aan het product bevestigt.



2. Bevestig de poten aan het onderstel door middel van twee geleverde 6mm verzonken schroeven per poot.

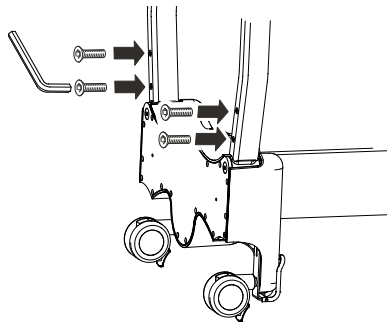
OPMERKING: Monteer de rechter- en linkerpoot zoals hieronder getoond wordt.



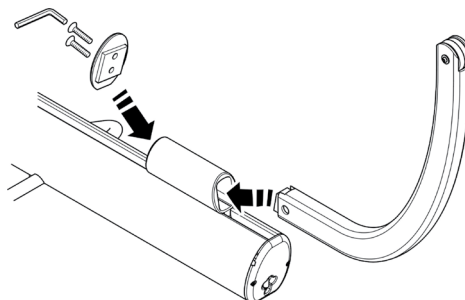
3. Maak de 6mm schroeven aan beide kanten van het onderstel vast met behulp van de geleverde inbusleutel.

⚠ WAARSCHUWING

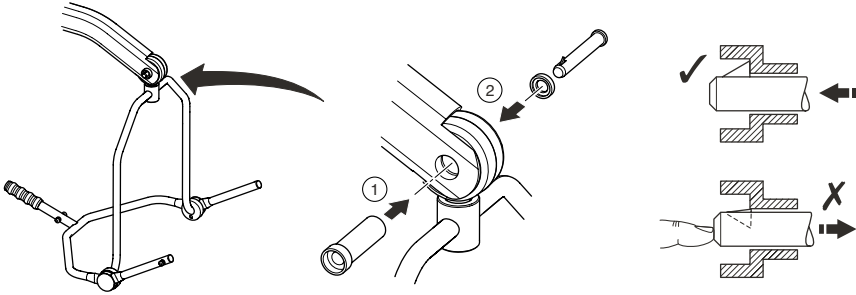
De schroeven moeten stevig vastgedraaid worden.



4. Plaats het gebogen deel van de tilarm in de tilarmslede. Maak het geheel vast zoals hieronder wordt getoond door de twee 6mm verzonken schroeven in het blauwe afdekplaatje te steken dat in de bevestigingsset geleverd is en goed vast te draaien.



5. Bevestig het vierpuntsjuk aan de tilarm door middel van het insteken van de splitpen. Zorg ervoor dat de splitpen goed vastzit.

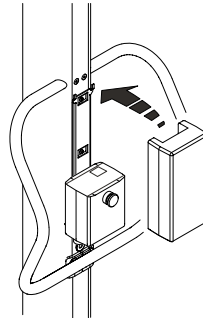
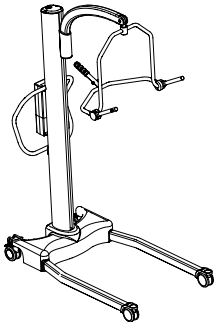


6. Zet de Stature rechtop en schakel de rem in.

⚠ WAARSCHUWING

De Stature is erg zwaar; wees voorzichtig tijdens het rechtop zetten.

Steek de stekker van de handbediening in de opening onderaan het bedieningspaneel op de mast. Zorg ervoor dat handbediening, stekker en opening op één lijn zitten. Bevestig het accupak aan de tillift en zorg ervoor dat de vergrendeling die het accupak op zijn plaats houdt goed vastzit. "Klik" vast.

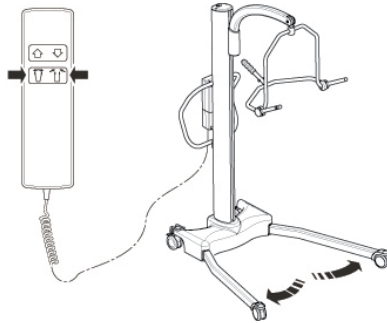


Demontage

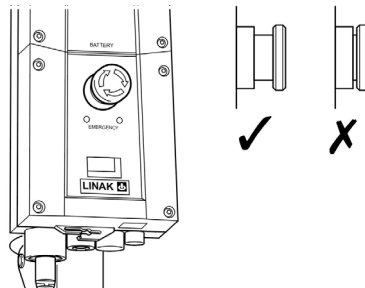
De tillift moet indien nodig alleen gedemonteerd worden voor onderhoud, reparatie of transport. Als het nodig is om de tillift te demonteren, volg dan de montage-instructies in omgekeerde volgorde.

CONTROLEER ALTIJD HET VOLGENDE VOOR INGEBRUIKNEMING

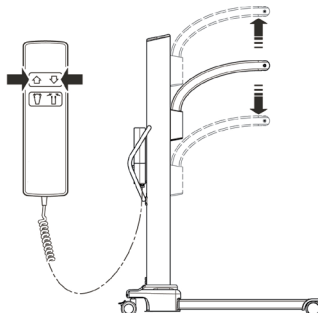
- Druk op de open- en sluitknop op de handbediening om te controleren of het onderstel van de tillift goed spreidt en sluit.



- De rode noodstopknop aan de achterkant van het bedieningspaneel staat in de OFF (uit)-stand.



- Druk op de omhoog- en omlaagknoppen op de handbediening om te controleren of de tilarm goed omhoog en omlaag beweegt.



4. Veiligheidsmaatregelen

Lees en volg a.u.b. de volgende veiligheidsmaatregelen op. Het gebruik van Oxford is gemakkelijk en eenvoudig. Door het opvolgen van deze eenvoudige veiligheidsmaatregelen kunt u gemakkelijk en probleemloos tillen.

LEES EN BEGRIJP DE GEBRUIKERSHANDLEIDING VOORDAT U UW “STATURE” TILLIFT GEBRUIKT

WAARSCHUWING: Belangrijke veiligheidsinformatie met betrekking tot gevaren die ernstig letsel kunnen veroorzaken.

OPGELET: Informatie om schade aan het product te voorkomen.

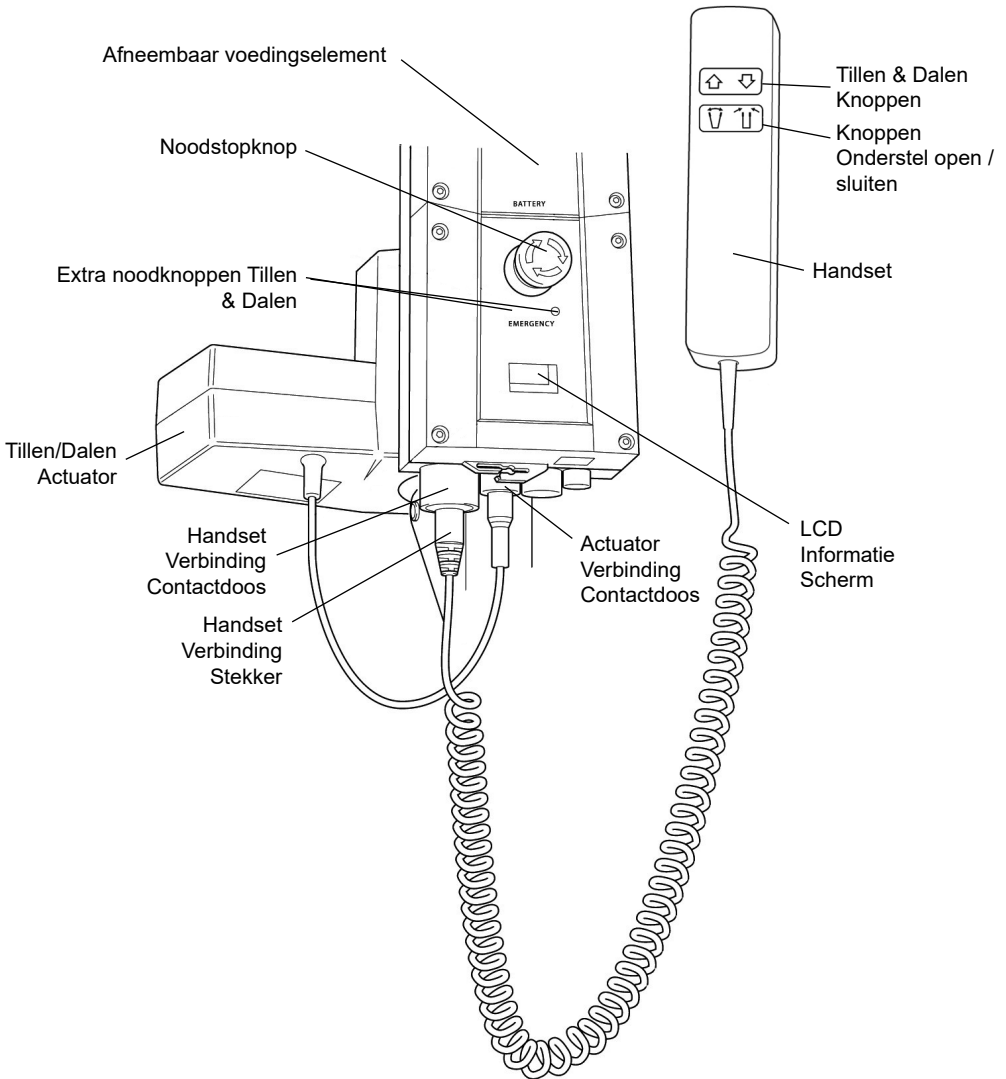
OPMERKING: Informatie die speciale aandacht behoeft.

WAARSCHUWING

- De Oxford patiëntenliften mogen uitsluitend worden bediend door volledig opgeleide/competente verzorgers.
- Controleer **ALTIJD** of de maximale tilcapaciteit van de tillift geschikt is voor het gewicht van de patiënt.
- Zorg ervoor dat de maximale tilcapaciteit van het toestel **NIET** overschreden wordt omdat in dat geval een mechanisme in werking treedt dat de elektriciteitstoevoer afsluit, waar door het toestel niet gebruikt kan worden.
- Plan **ALTIJD** uw tilhandelingen voordat u begint.
- Loop **ALTIJD** de **DAGELIJKSE CONTROLELIJST** na voordat u de tillift gebruikt.
- Raak **ALTIJD** vertrouwt met de bedienings- en veiligheidselementen van een tillift voordat u een patiënt tilt.
- Gebruik **ALLEEN** tilbanden waarvan het gebruik met de tillift wordt aangeraden.
- Controleer **ALTIJD** of de tilband geschikt is voor de patiënt en of deze de juiste maat en capaciteit heeft.
- Gebruik **NOOIT** een gerafelde of beschadigde tilband.
- Monteer de tilband **ALTIJD** volgens de geleverde instructies (gebruikershandleiding).
- Zorg ervoor dat de banden van de tilband **NOOIT** rond de poten van het toestel gedraaid raken.
- Volg voor het uitvoeren van tilhandelingen **ALTIJD** de instructies in de gebruikershandleiding op.
- Ontkoppel of negeer **NOOIT** bedienings- of veiligheidselementen om bediening van de tillift gemakkelijker te maken.
- Til een patiënt **NIET** met de wielrem ingeschakeld. Laat de tillift altijd zelf het juiste zwaartepunt bepalen.
- Probeer de tillift **NIET** te manoeuvreren door de mast, tilarm of patiënt te duwen.
- Manoeuvreer de tillift **ALTIJD** met behulp van de duwbeugel die aan de mast vastzit. Er bevindt zich hiervoor ook een voetpedaal aan de onderkant van het toestel.
- Laat de patiënt voordat de transfer begint **ALTIJD** zakken tot in de laagst mogelijke comfortabele positie.
- Duw een beladen tillift **NIET** sneller voort dan met een langzame wandelpas (3 km/u, 0,8 m/s).

- Duw de tillift NIET over oneffen of ruw terrein, met name wanneer de tillift beladen is.
- Probeer een beladen tillift NIET over obstructies op de grond te duwen of trekken.
- Forceer NOOIT een bedienings- of veiligheidselement. Alle bedieningselementen zijn gemakkelijk te gebruiken en vereisen geen grote krachtsinspanning.
- Stal een beladen tillift NOOIT op een hellend vlak.
- Gebruik elektrische tilliften NIET onder de douche.
- Laadt een elektrische tillift NIET op in een badkamer.
- Til patiënten ALLEEN wanneer u hiervoor getraind bent en competent bent om dit te doen.
- Uw tillift is bestemd voor het tillen van patiënten en mag NIET voor andere doeleinden gebruikt worden.
- Rol de tillift NIET van trap treden of opstapjes af, zowel beladen als onbeladen.
- Probeer een beladen tillift NIET te bedienen op een helling die steiler is dan 1:12 (ongeveer 5 graden).
- Probeer de tillift NIET zonder assistentie op een helling te navigeren.
- Gebruik de tillift NIET in een natte omgeving of plaatsen met bijtende stoffen zoals zwembaden.
- Gebruik de tillift NIET op een hoogpolig tapijt wanneer hij beladen is.
- Bedien de tillift NOOIT wanneer er onderdelen of aansluitingen los zitten, versleten zijn of ontbreken.

5. Standaard schakelkast en handset



6. Bedieningsinstructies

WAARSCHUWING

De Oxford patiëntenliften mogen uitsluitend worden bediend door volledig opgeleide/ competente verzorgers.

1. Afstellen van het onderstel

De breedte van het onderstel van de Oxford Stature kan elektrisch afgesteld worden. Het onderstel kan gespreid worden om het mogelijk te maken om een fauteuil of rolstoel te bereiken. Voor transfers en het manoeuvreren in nauwe doorgangen kan het onderstel van de tillift in ge sloten positie gebracht worden.

Stel het onderstel elektrisch af door op de daarvoor bestemde knoppen op de handbediening te drukken. Het onderstel wordt vergrendeld wanneer de knop op de handbediening losgelaten wordt.

2. Zwenkwielen en remmen

De tillift beschikt over twee zwenkwielen met een rem, die ingeschakeld kan worden om de lift te stallen. Tijdens tilhandelingen moet de rem uitgeschakeld staan en moeten de zwenkwielen ongehinderd kunnen bewegen. De tillift kan dan naar het zwaartepunt bewegen. Als de rem ingeschakeld staat dan schommelt de patiënt naar het zwaartepunt en dat kan vervelend en oncomfortabel zijn. Aan het achterste zwenkwiel is een stuuerelement voor rechte lijnen bevestigd, dat het gemakkelijker maakt om het toestel in een rechte lijn te bewegen wanneer het ingeschakeld wordt.

3. De tilarm: heffen en dalen

Het bewegen van de tilarm wordt gestuurd door een krachtige motor, die bestuurd wordt met een eenvoudig handbedieningselement. De handbediening heeft twee knoppen met pijlen voor OMHOOG en OMLAAG. De motor stopt automatisch wanneer de hoogste of laagste stand wordt bereikt. De handbediening wordt onderaan het bedieningspaneel aangesloten.

VEILIGHEIDSAANWIJZING - de neerwaartse beweging van de tilarm stopt wanneer de tilarm waarneemt dat de patiënt met een obstructie geconfronteerd wordt.

4. Noodstop

De rode noodstopknop bevindt zich aan de voorzijde van het bedieningspaneel en wordt geactiveerd door hem in te duwen. Hierdoor wordt alle stroom van de tillift afgesloten. Dit kan teruggezet worden door de knop linksom te draaien en vrij te geven.

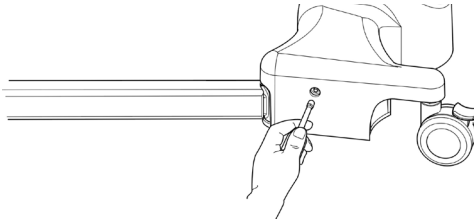
5. Elektrische Noodbediening

De noodbedieningsknoppen voor omhoog/omlaag bevinden zich aan de voorzijde van het bedieningspaneel. Deze worden in werking gesteld door de punt van een balpen in de opgelichte knop (pijl omhoog/omlaag) te steken. Mocht de handbediening niet werken, dan kan de tilarm hiermee omhoog of omlaag gebracht worden.

6. Mechanische noodbediening

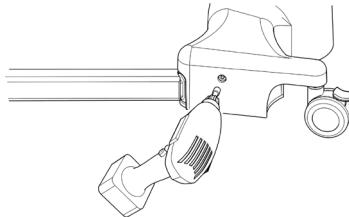
De Stature tillift is uitgerust met een mechanisch daaelement dat gebruikt kan worden in geval van een complete stroomuitval. Dit element bevindt zich aan de linkerkant van het onderstel van de tillift.

Het daaelement kan bediend worden door een 6mm dop in de holte op het mechanisme te steken en rechtersom te draaien om de tillift te laten heffen en linksom om de tillift te laten dalen. Dit kan handmatig gedaan worden met een dopsleutel.



AANBEVELING!:

IOm de tilarm sneller te laten heffen of dalen wordt aangerad en om een 6mm hex dop te gebruiken met een 1/4" adapter en een links en rechts draaiende elektrische boor. (Let op - gebruik geen klopper). Hierdoor kan de patiënt sneller omhoog en omlaag getild worden. Er bevindt zich een 6mm hex dop in het bovenste afdekkapje bovenaan de mast.



OPMERKING: zorg ervoor dat u goed gepland heeft wat uw bestemming is voordat u de patiënt omhoog of omlaag tilt, bijvoorbeeld terug op een stoel of in een bed.

7. Accu's

Een LAGE ACCUSPANNING-ALARM behoedt de accu's voor een te lage lading. Dit alarm gaat af wanneer de accu's opgeladen moeten worden en de handbediening gebruikt wordt. Het gaat niet af wanneer de handbediening niet gebruikt wordt. **NEGEER DIT ALARM NIET.** Voltooi de tilhandeling en laadt de accu op (zie oplaadinstructies).

8. Tilbanden

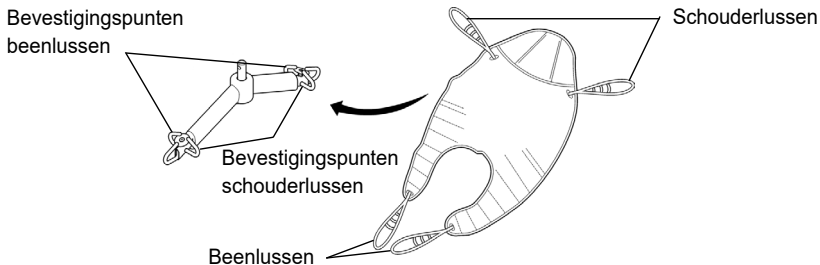
Met de Oxford Stature heeft u de keuze tussen een zespuntsjuk en een vierpuntsjuk. Beide systemen maken gebruik van verschillende bevestigingsmethodes en tilbanden.

Het zespuntssysteem maakt gebruik van tilbanden met singelbandlussen, waarbij u de plaat sing kunt afstellen door het selecteren van verschillend gekleurde lussen. Het vierpuntsjuk maakt gebruik van het Securi3 veiligheidsclipsysteem en kan worden afgesteld door het vierpuntsjuk naar boven of naar beneden te roteren.

Tilbanden met lussen: Oxford Quickfit, Full Back, Quickfit Deluxe, Long Seat, Access and Silkfit.

Tilbanden met veiligheidsclip: Oxford Comfort

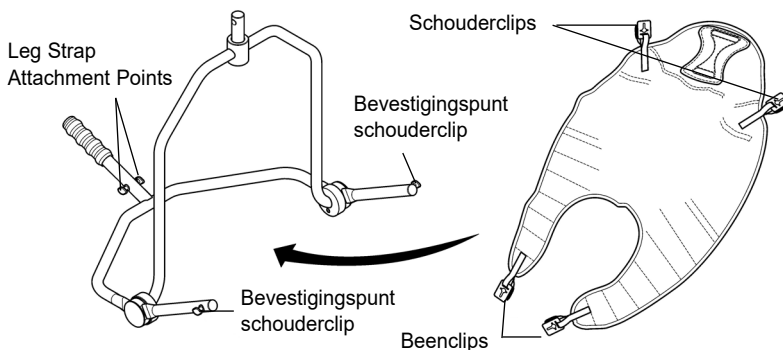
Het zespuntssysteem wordt aan de haken van het juk vastgemaakt via lussen (zie hieronder). Bij iedere tilband worden instructies geleverd. Bestudeer voor gebruik a.u.b. de handleiding.



Zespuntsjuk

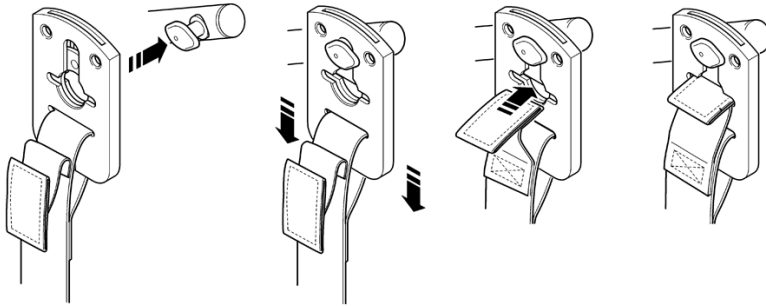
Voorbeeld van een zespuntsjuk met bevestigingslussen.

De tilband van het vierpuntsjuk wordt aan de bevestigingspunten van het juk vastgemaakt via een veiligheidsclipsysteem (zie hieronder). Bij iedere tilband worden instructies geleverd. Bestudeer voor gebruik a.u.b. de handleiding.



Vierpuntsjuk

Voorbeeld van een vierpuntsjuk en tilband met veiligheidsclipsysteem.



Securi3 tilbandbevestigingssysteem.

Voorbeeld van montage.

MERK OP: In de meegeleverde gebruikershandleiding worden gedetailleerde instructies gegeven hoe de sling aangebracht moet worden. Raadpleeg de gebruikershandleiding voor gebruik.

⚠ WAARSCHUWING

Joerns Healthcare adviseert de slings geregeld en voor gebruik te controleren op slijtage of beschadigingen. Gebruik slings die versleten of beschadigd zijn NIET.

⚠ WAARSCHUWING

OXFORD ADVISEERT ORIGINELE OXFORD ONDERDELEN TE GEBRUIKEN. De Oxford sling en liftproducten zijn zodanig ontworpen dat ze met elkaar gebruikt kunnen worden. Kijk voor specifieke, landgebonden richtlijnen over het gebruik en compatibiliteit van de sling op het label, of neem contact op met de importeur of Joerns Healthcare.

⚠ WAARSCHUWING

Zie het maximale tilvermogen van de lift. Het maximale vermogen van de lift bepaalt het maximale draagvermogen van de sling.

7. Verwijderen van juksystemen

VOLG DEZE INSTRUCTIES NAUWGEZET OP

Met uw Stature tillift heeft u de keuze tussen een zespunts- en een vierpuntsjuk. U kunt beide systemen gemakkelijk verwijderen door middel van een snelsluitpen. Dit is snel en gemakkelijk, maar lees de volgende veiligheidsinstructies om er zeker van te zijn dat het juk vóór gebruik goed vergrendeld is.

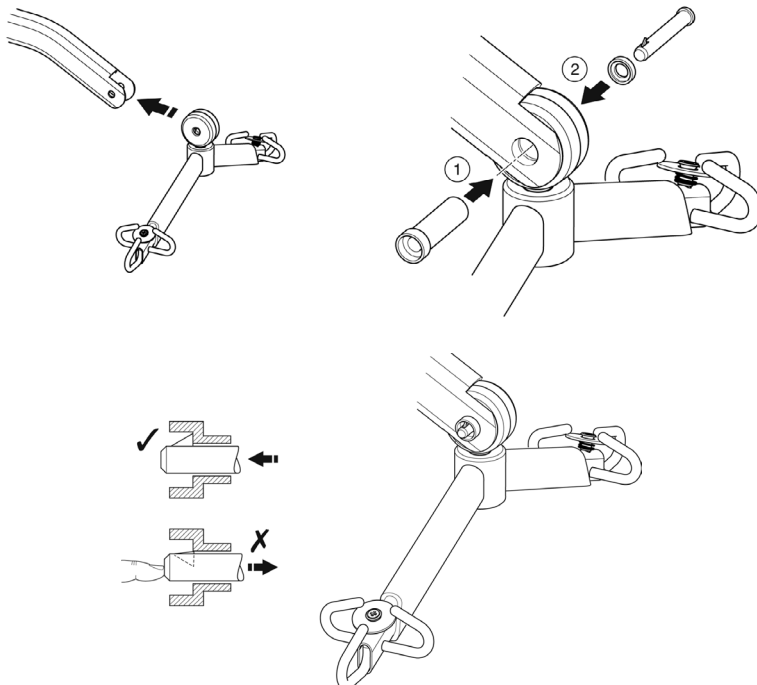
Aansluiting

Til het juk naar de opening in de tilarm om aan te sluiten.

Duw de huls van de pen door de plastic eindkap voor de ondersteuning van het juk.

Zodra deze op één lijn gebracht is met de opening in de tilarm, steek de snelsluitpen volledig in de opening totdat deze vergrendelt. U **MOET CONTROLEREN OF DE PEN STEVIG VASTZIT**.

Steek hiervoor uw vingers in het uiteinde met de weerhaken. Als de pen op zijn plaats blijft is de tillift veilig om te gebruiken.

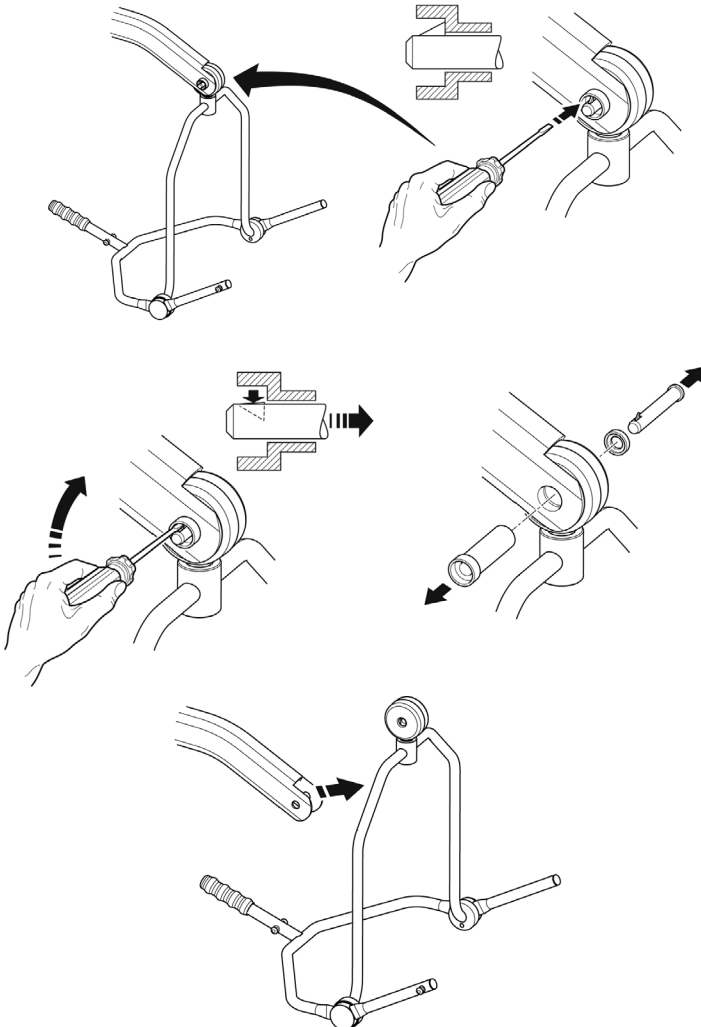


Verwijderen

WAARSCHUWING: Zorg ervoor dat het juk ondersteund wordt voordat u de pen verwijderd.

Voor het verwijderen van de pen moet u de verende weerhaken indrukken (met behulp van een platte elektrische schroevendraaier of iets dergelijks) en de pen uittrekken.

Ondersteun het juk en trek dan aan de penhuls in de tegenovergestelde richting, waarbij u hem volledig uit de tilarm verwijderd. Hierdoor wordt het juk volledig verwijderd.



8. Opladainstructies

Wanneer het accupak opgeladen moet worden, wordt het van de tillift afgehaald en in een aparte oplader geplaatst.

Joerns Healthcare raadt aan om een aanvullend accupak aan te schaffen zodat één accupak altijd opgeladen kan worden.

1. Verwijder het accupak van de tillift. Het pak wordt vastgehouden door een eenvoudige grendel aan de bovenkant van het accupak. Til de grendel op om het accupak te verwijderen.
2. Plaats het accupak in de oplader. Het plaatsings- en bevestigingsmechanisme van de oplader is hetzelfde als dat van de tillift.
3. Steek het netsnoer van de oplader in een geschikt stopcontact en schakel de elektriciteit AAN.
4. Het opladen gebeurt automatisch en de accu's worden in acht tot twaalf uur volledig opgeladen. Let op: de accu's kunnen niet "overladen" worden, zelfs niet wanneer u de stekker van de oplader voor langere tijd in het contact laat.
 - a) Groen licht - Geeft aan dat de stroomtoevoer is ingeschakeld.
 - b) Geel licht - Geeft aan dat de accu wordt opgeladen.
 - c) Accu is volledig opgeladen als het gele licht uitgaat.

OPMERKING: Het wordt aanbevolen de accu direct na ontvangst op te laden.

5. Schakel de elektriciteit UIT en verwijder het accupak uit de oplader om de tillift weer in gebruik te nemen. Bevestig het accupak aan de tillift en zorg ervoor dat de vergrendeling die de accu op zijn plaats houdt goed vastzit. "Klik" vast. Het opladen van de Oxford elektrische tilliften is eenvoudig en ongecompliceerd, maar het is belangrijk dat u de oplaad instructies nauwgezet opvolgt. Let a.u.b. met name op de volgende aanwijzingen, waarmee u kunt voorkomen dat er zich problemen voordoen met het ontladen van accu's.

WAARSCHUWING

- Accu's mogen **NOOIT** door onbevoegd personeel worden geopend. (Neem contact op met uw distributeur voor garantie en reparaties).
- **RAAK** de polen van de accu/oplader **NOOIT** aan.
- **HOUD** de accu's **steeds** opgeladen. Plaats de accu telkens wanneer de tillift niet wordt gebruikt, op de oplader. Of laad de accu's iedere nacht op, als u dit gemakkelijker vindt. Het is niet mogelijk de accu's te 'overladen'
- Laat de accu's **NOOIT** volledig ontladen. Als het waarschuwingssignaal klinkt dat de accu's opgeladen moeten worden, maak dan de tilbeweging af waarmee u bezig bent, en plaats het voedingselement direct op de oplader.
- Om mogelijke permanente schade aan de accu te voorkomen, dient de accu opgeladen te worden zodra het icoontje van een halflege batterij zichtbaar is.
- Als u het voedingselement voor langere tijd opbergt, zorg er dan voor dat u de accu's **REGELMATIG** oplaadt.

- Controleer **ALTIJD** of de stroomtoevoer naar de oplader is uitgeschakeld voordat u het voedingselement op de oplader plaatst of eraf haalt.
- Laat het voedingselement **NOOIT** in de oplader staan als de stroom niet is aangesloten.
- Laat de oplader **NIET** aan staan zonder dat er een accu in zit.
- **GEBRUIK** de lift **NIET** tijdens het opladen van de accu.
- Om schade aan de elektrische aansluiting te voorkomen, moet u steeds voordat u de lift verrijdt, **CONTROLLEREN** of hij niet is aangesloten op de oplader.
- **TREK NOOIT** de stekker van de oplader uit het contact door aan de kabel te trekken.
- **PAS OP** dat u niet over de laadkabel struikelt.
- Laad een elektrische tillift **NIET** op in een badkamer of doucheruimte

9. Onderhoudsschema & dagelijkse controlelijst

Alle Oxford producten zijn ontworpen voor minimaal onderhoud. Toch zijn er sommige veiligheidscontroles- en procedures die moeten worden uitgevoerd. Hieronder volgt een schema van DAGELIJKSE taken. Dagelijkse controle en een zesmaandelijks onderhoudsbeurt, inspectie en tests zorgen ervoor dat de tillift in optimale conditie blijft. U kunt een lijst met vervangingsonderdelen ontvangen op aanvraag.

De **BELASTINGSTEST** en certificatie moeten alleen uitgevoerd worden door bevoegd personeel of een geautoriseerde service agent / dealer.

DAGELIJKSE CONTROLELIJST: Joerns Healthcare raadt sterk aan de volgende dagelijkse controles uit te voeren voordat u de tillift gebruikt.

- ZORG ERVOOR dat de tillift vrij kan bewegen op de zwenkwielen.
- ZORG ERVOOR dat het juk vrij kan draaien en schommelen.
- CONTROLEER of het juk stevig aan de tilarm is bevestigd.
- ONDERZOEK de ophangpunten van het juk en de zij-ophangers op overmatige slijtage.
- ZORG ERVOOR dat het onderstel correct spreidt en sluit.
- GEBRUIK de handbediening om te controleren of de tilarm goed omhoog en omlaag beweegt.
- ZORG ERVOOR dat het display van de schakelkast GEEN steeksleutelsymbool heeft en dat er geen hoorbare pieptoon is wanneer de knoppen Omhoog / Omlaag worden ingedrukt.
- Test de werking van de noodstopknop van elektrische tilliften.
- ONDERZOEK tilbanden voor slijtage of andere schade. Gebruik een tilband NIET als deze beschadigd is.
- STEL VAST dat de tillift geen lage accuspanning-alarm laat afgaan wanneer de handbediening wordt gebruikt. Als het alarm afgaat, gebruik de tillift NIET maar laadt hem onmiddellijk op.
- ZORG ERVOOR dat de actuorklemmen goed zijn vastgedraaid.
- CONTROLEER VISUEEL alle bevestigingen en bevestigingen en zorg ervoor dat ze goed vastzitten voor gebruik.

Onderhoud, Inspecties En Tests

Joerns Healthcare raadt aan om regelmatig een grondige inspectie en test van de Oxford Stature tillift en accessoires (tilbanden, weegschaal enz.) uit te voeren. Inspectiefrequenties variëren per land. Controleer daarom bij uw dealer of lokale overheidsinstelling hoe vaak een inspectie vereist is. De inspectie en tests moeten worden uitgevoerd aan de hand van onderstaande aanbevelingen en procedures. Joerns Healthcare raadt aan om onderhoud, inspectie en gecertificeerde tests alleen te laten uitvoeren door geautoriseerde service agents of dealers.

LET OP: Met deze aanbevelingen wordt voldaan aan de vereisten van de Britse verordening No2307 Health and Safety: The Lifting Operations and Lifting Equipment Regulations 1998. Controleer a.u.b. de wettelijke vereisten in uw land.

Reiniging

Reinig met gewone zeep en water en/of desinfectiemiddel voor harde oppervlakken. Vermijd agressieve chemische schoonmaakmiddelen of schuurmiddelen. Deze kunnen de afwerking van de tillift beschadigen. Maak de elektrische onderdelen niet nat. Na het reinigen moet het apparaat grondig worden gedroogd.

Afvalverwerking

Accu: Alle accu's in het product en begeleidende accessoires moeten apart worden gerecycled. De afvalverwerking van accu's dient plaats te vinden volgens lokale of nationale regelgeving.

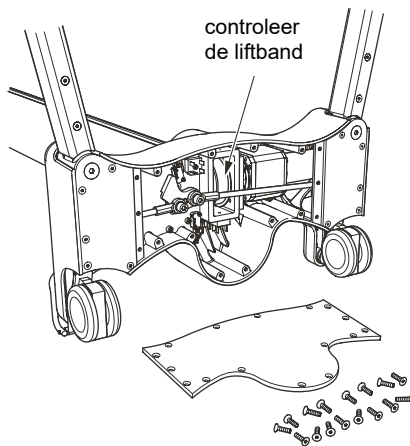
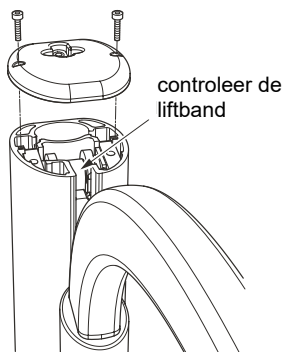
Tilbanden: Tilbanden en gerelateerde accessoires moeten volgens lokale of nationale regelgeving als brandbaar afval worden gesorteerd.

***DE VOLGENDE CONTROLES MOETEN
WORDEN UITGEVOERD:**

	Aanva nkelijk	Voor g ebruik	Onderhoud sintervallen
1. JUK: controleer of het juk vrij kan draaien en schommelen. Controleer het centrale draaipunt op slijtage. Controleer de bevestiging aan de tilarm.	✓	✓	✓
2. TILARM: controleer de bevestiging van de tilarm aan de mastslede. Zorg dat er slechts een minimale speling in zit.	✓	✓	✓
3. MAST: controleer of de mast stevig aan het onderstel bevestigd is.	✓	✓	✓
4. MOTOR TANDWIELKAST: de motor vereist buiten controle op juiste werking en luisteren voor vreemde geluiden geen ander onderhoud.			✓
5. ACCUPAK: controleer de werking van de noodstopknop en de noodbediening.	✓	✓	
6. ACCU'S: de accu's bevinden zich in het accupak en vereisen buiten het regelmatig opladen zoals beschreven in de oplaadinstructies geen ander onderhoud. Controleer of de aansluitingen schoon zijn. Controleer of de accuhouder goed vastzit en onbeschadigd is.			✓
7. AFSTELLEN ONDERSTEL: controleer of het onderstel volledig spreidt en sluit.	✓	✓	✓
8. ZWENKWIEL: controleer of alle zwenkwielen goed aan het onderstel bevestigd zijn. Controleer of de zwenkwielen vrij zwenken en draaien.	✓	✓	✓
9. REINIGING: reinig met een schoon doekje, met water en zeep en/of een desinfectiemiddel voor harde oppervlakken. Vermijd agressieve chemische schoonmaakmiddelen of schuurmiddelen. Deze kunnen de afwerking van de tillift beschadigen. Maak het toestel niet overmatig nat, met name de elektrische onderdelen en de opening aan de onderkant van het toestel. Wij raden aan om het doekje in de zeepoplossing te weken, het goed uit te knijpen en hiermee de buitenkant van het toestel af te vegen. Na het reinigen moet het apparaat grondig worden gedroogd. Na het reinigen moet het apparaat grondig worden gedroogd.		✓	✓
10. BELASTINGTEST: De belastingtest moet worden uitgevoerd in overeenstemming met de testprocedures van de fabrikant en de richtlijn zoals beschreven in EN ISO 10535:2006 - Bijlage B - Periodieke inspectie B1 - waarvan hieronder een uittreksel wordt gegeven. Het wordt sterk aanbevolen de test door een erkende servicedealer te laten uitvoeren.			✓
11. VOETSTUK EN ONDERSTEL: Ensure base is even and level (all four wheels are on the floor).	✓	✓	✓
12. TILBANDEN: controleer op slijtage en rafelen.	✓	✓	✓
13. SMERING: smeer de draaigewrichten waaronder mast- en tilarmverbindingen, pedaalementen, jukgewricht (alleen indien nodig).			✓
14. HAND SET: zorg dat deze goed aan het bedieningspaneel verbonden is.	✓	✓	
15. BEVESTIGINGSMATERIALEN: Controleer alle bouten, moeren, schroeven en bevestigingsmaterialen op overmatige slijtage en of ze goed zijn aangedraaid. Vervang indien nodig.			✓

***DE VOLGENDE CONTROLES MOETEN WORDEN UITGEVOERD:**

	Aanankelijk	Voor gebruik	Onderhoud sintervallen
16. SNELSLUITPEN: Zorg ervoor dat de pen goed vastzit voordat u aan uw tilhandelingen begint, door op het uiteinde met de weerhaken te duwen.	✓	✓	
17. TILRIEM: Uw tilriem moet ieder onderhoudsinterval gecontroleerd worden op slijtage (bij voorkeur iedere zes maanden). Om de riem te kunnen zien wordt het aangeraden om het kapje bovenaan de mast te verwijderen en de tillift in beide richtingen te bewegen terwijl u de conditie van de riem inspecteert. Als u slijtage ontdekt (rafelen, vouwen enz.) dat wordt aangeraden om de riem ONMIDDELIJK te laten vervangen door een geautoriseerde Joerns Healthcare dealer of een bevoegde, competente onderhoudsmonteur. Voor meer informatie over onderhoud en vervanging van de riem kunt u onze gedetailleerde onderhoudshandleiding opvragen. (Zie hieronder voor bijzonderheden).		✓	✓



EN ISO 10535:2006

Bijlage B

(Informatief)

Periodieke inspectie

B. 1 De periodieke inspectie van de lift moet worden uitgevoerd volgens de door de fabrikant aangegeven tijdsintervallen, maar minstens één maal per jaar. Met periodieke inspectie wordt bedoeld een visuele keuring van met name de dragende structuur van de lift en het liftmechanisme met bevestigingen, remmen, bediening, veiligheidsvoorzieningen en de voorzieningen waarmee een persoon wordt ondersteund. Daarnaast dienen de vereiste functietesten en onderhoudsmaatregelen te worden uitgevoerd, zoals vervangen van de remmen, vastmaken van bevestigingsmaterialen.

Bij iedere inspectie dient de werklast door middel van één (1) liftcyclus met maximale belasting te worden getest.

10. Technische Specificaties

Maximale tilbelasting	500 lbs.....	227 kgs
Maximale totale lengte	54.7 inches.....	1390 mm
Minimale totale lengte	50.8 inches.....	1290 mm
Maximale totale hoogte	83.8 inches.....	2130 mm
Minimale totale hoogte	76.6 inches.....	1945 mm
Hoogte bij maximaal bereik.....	77.8 inches.....	1975 mm
Bereik bij maximumhoogte.....	24.6 inches.....	625 mm
Bereik bij minimumhoogte.....	24.6 inches.....	625 mm
Maximaal bereik*.....	24.6 inches.....	625 mm
Draairadius	61.0 inches.....	1550 mm
Onderstel gespreid - externe breedte	53.5 inches.....	1360 mm
Onderstel gespreid - interne breedte	48.4 inches.....	1230 mm
Onderstel gesloten - externe breedte	29.9 inches.....	760 mm
Onderstel gesloten - interne breedte	25.1 inches.....	640 mm
Totaalhoogte poten	4.3 inches.....	110 mm
Bodemspeling.....	1.2 inches.....	30 mm
Voorste zwenkwielen.....	4 inches.....	100 mm
Achterste zwenkwielen met rem	4 inches.....	100 mm

* Bereik = middelpunt van het juk tot de voorkant van de mast

Vierpuntsjuk (gemeten tot bovenkant bevestigingshaken)

LET OP: vierpuntsjuk wordt standaard geleverd met de Stature tillift.

Max. hoogte juk.....	61 inches.....	1550 mm
Min. (functionele) hoogte juk	15.4 inches.....	390 mm

Zespuntsjuk (gemeten tot bovenkant bevestigingshaken)

MERK: zespuntsjuk kan optioneel geleverd met de Stature tillift.

Max. hoogte juk.....	77.7 inches.....	1975 mm
Min. (functionele) hoogte juk	26.6 inches.....	675 mm

Gewicht

Mast, onderstel en tilarm.....	142 lbs.....	64.5 kgs
Vierpuntsjuk.....	13.2 lbs.....	6 kgs
Accupak.....	6.6 lbs.....	3 kgs
Totaal.....	162 lbs.....	73.5 kgs

Alle metingen vallen binnen een +5/-5 afwijkingsgraad.

ELEKTRISCHE SPECIFICATIES:

ACCUS24 Volt gesloten lood/zuur type, oplaadbaar

ACCUCAPACITEIT3.2 Ampère-uur

NOMINAAL OPGENOMEN VERMOGEN OPLADER100 - 240 V AC/ 50/60 Hz

NOMINAAL AFGEGEVEN VERMOGEN OPLADER.....29.5 VDC, Max. 19 W

BESCHERMINGSMAATREGELEN TEGEN ELEKTROSTATISCHE ONTLADING

OPLADERKLASSE II (EN 60601-1)

TILLIFTINTERNE STROOMBRON

BESCHERMINGSGRAAD

OPLADERTYPE B (EN 60601-1)

TILLIFTTYPE B (EN 60601-1)

OMGEVINGSVOORWAARDEN:

Wanneer de omgevingsvoorwaarden worden overschreden, komen functionaliteit en veiligheid in gevaar.

OPERATIONELE VOORWAARDEN:

Temperatuur5°C tot 40°C

Relatieve vochtigheid20% tot 90% bij 30°C niet-condenserend

Atmosferische druk.....700 hPa tot 1060 hPa

OPBERGVOORWAARDEN:

Temperatuur.....-10°C tot +50°C

Relatieve vochtigheid20% tot 90% bij 30°C niet-condenserend

Atmosferische druk.....700 hPa tot 1060 hPa

IP-CLASSIFICATIES:

BedieningskastIPX4

ActuatorIPX4

Afzonderlijke opladerIPX5

AccuIPX5

HandsetIPX5

BEDRIJFSCYCLI:

Actuator10% (2 min/18 min)

AccuApprox. 4 hrs

AKOESTIEKA

Gewogen geluidsvermogensniveau60 dB (A)

Belangrijkste symbolen:

De volgende symbolen worden op de oplader, bediening en accu gebruikt:



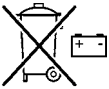
Dit product is een medisch hulpmiddel in overeenstemming met de EU-verordening Medische hulpmiddelen 2017/745.



Type B-apparatuur, volgens EN 60601-1



Klasse 2 apparatuur



Het weggooien van batterijen mag niet met het gewone huishoudelijke afval worden gemengd. De afvalverwerking van accu's dient plaats te vinden volgens lokale of nationale regelgeving.



Het weggooien van elektronica mag niet worden gemengd met algemeen huishoudelijk afval.



Voor gebruik binnenshuis



LET OP, raadpleeg meegeleverde documenten.



Raadpleeg de gebruikersinstructies voor gebruik.

11. Garantie

Joerns Healthcare beschikt over een gevestigd netwerk van erkende distributeurs en onderhoudsmonteurs. Zij helpen u graag met al uw vragen betreffende uw aankoop, garantie, reparaties en onderhoud. Wij adviseren onze producten bedrijfsklaar te laten maken door uw erkende distributeur of onderhoudsmonteur.

De distributeur of onderhoudsmonteur voert het garantieschema uit; daarom is het belangrijk de naam, het adres en het telefoonnummer van deze personen te noteren, zodat u contact met hen kunt opnemen wanneer zich problemen voordoen. Als u niet zeker weet waar uw lift werd aangekocht, kan Joerns Healthcare aan de hand van het serienummer nagaan door welke leverancier het product werd geleverd.

Alle garantieclaims zijn onder voorbehoud van het juiste gebruik en onderhoud in overeenstemming met de gebruikershandleiding die met iedere product wordt meegeleverd. Schade die is veroorzaakt door gebruik in een ongeschikte omgeving of het nalaten van het onderhoud in overeenstemming met de onderhouds- en gebruikersinstructies, wordt niet gedekt. Uw grondwettelijke rechten worden niet aangetast!

ONTHOUD: Neem contact op met uw erkende distributeur of onderhoudsmonteur voor aankopen, reparaties, onderhoud en gecertificeerd onderhoud.

Uw distributeur:



Joerns
Oxford®



Joerns Healthcare Limited
Drakes Broughton Business Park, Worcester Road, Drakes Broughton
Persore, Worcestershire, WR10 2AG United Kingdom
(T) 0844 811 1156 • (F) 0844 811 1157
www.joerns.co.uk • email: info@joerns.co.uk