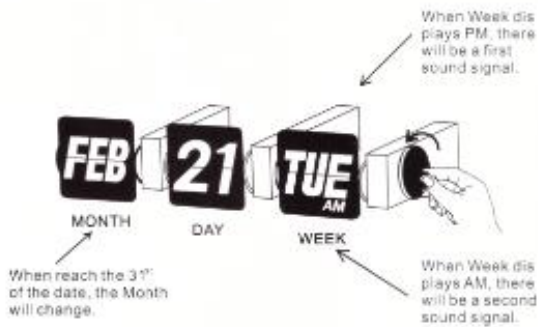


C Calendar adjustment:

1. Please insert batteries prior to adjusting the calendar.
Please make sure the clock displays the correct time, and adjust the week showing AM or PM accordingly, then the date.
2. On February 29 of the leap year, remove the batteries from the back of the calendar component. Manually adjust the calendar to display Feb. 29. Re-install the batteries on the next day, March 1. The automatic system will resume function.
3. See Diagram below:



- Feb. 28 → Mar. 1
- Apr. 30 → May 1
- Jun. 30 → Jul. 1
- Sept. 30 → Oct. 1
- Nov. 30 → Dec. 1

Patent Numbers
 USA : 4594597, 5274615, 7609583 B1
 UK : 2181273, 2188977, GB 2386227
 CHINA : 35201 54637, 136997,
 20072008355.0
 20073014262.4
 ZL 2005 2 022321.9
 TAIWAN : 31158, 31158-1, 31158-2, 74035
 JAPAN : M 307051
 KOREA : 3151413
 96812

CALENDAR FLIPCLOCK

AD-620/621



Energy Saving

CE

INSTRUCTION MANUAL

● Please read this manual carefully before using the calendar clock

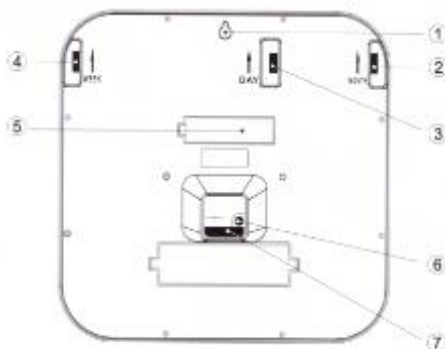
Note:

1. Please inspect the calendar once the clock is removed from its packaging for loose panels. If loose panel(s) are present, invert the clock and turn the adjustment knob at least one full turn and the loose panel(s) will fall out.
2. If the panels have become loose or fallen off, please open the casing and re-insert the loose panels.
3. Do not use corrosive solution for cleaning any surface of the unit. Instead, use alcohol, tooth paste, soap, or detergent for cleaning. Keep the unit away from heating ducts, fire place, humid or wet areas or direct sunlight.
4. There are two separate audible signals while adjusting the week, day settings and also when the clock is between the 11:30 and 12:00 timeframe.

2017

A Functionality adjustment:

1. Install one size AA battery in the back of the clock component, And install two size C batteries in back of the calendar component.
2. Please make sure the proper connection and alignment of the positive (+) and the negative (-) ends of the batteries.
3. Batteries last about one year. Install new batteries when the time begins to slow down or when the calendar does not change dates.
4. Please see diagram below:



- ① Clock hanging notch
- ② Month turn-knob
- ③ Date turn-knob
- ④ Week turn-knob
- ⑤ Battery cover
- ⑥ Clock turn-knob
- ⑦ Clock movement battery "AA"

B Clock time adjustment:

1. Please insert battery prior to adjusting the clock.
2. On the back of the clock dial, turn clockwise until the correct current time is displayed.
3. During time adjustments, the first stand-by signal will sound when the clock time displays 11:30. Pause for 2-3 seconds, upon hearing this signal, proceed slowly to reach 12:00, there will be another signal accompanied by the movement of the calendar (from AM to PM, Monday to Tuesday, etc.).
4. See Diagram below:

